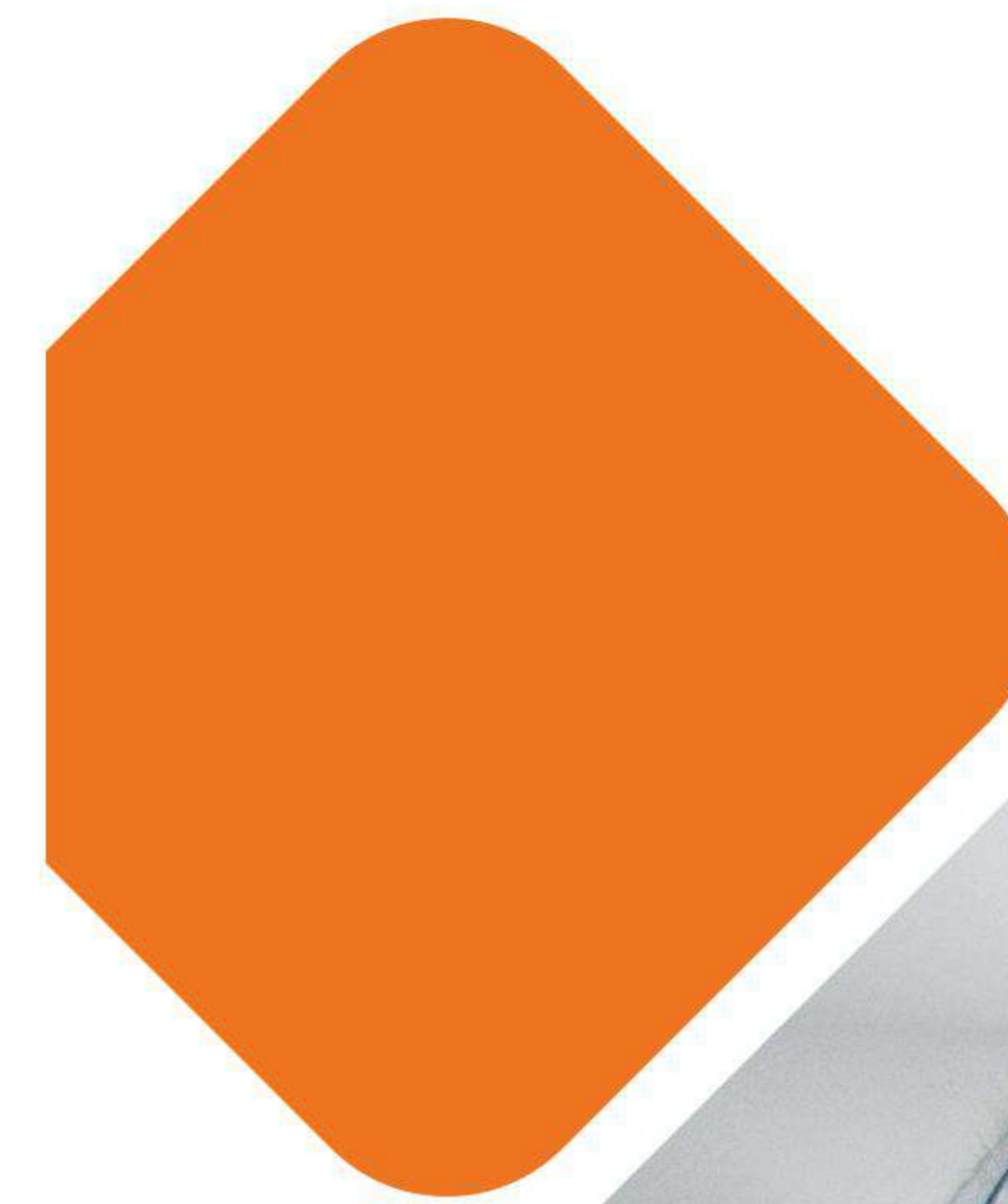


AesthEdge[®]

Elevate Every Space!

Solidex Wood[®]



**PRODUCT
CATALOG** 2026



AesthEdge[®]
Elevate Every Space!

Solidex Wood[®]



AesthEdge® SolidexWood® Presentation

AesthEdge and SolidexWood specialize in designing, manufacturing, and distributing innovative, eco-friendly decor coverings and wall protection solutions. Our main products include WPC Wall Panels, PVC Marble Sheets, Bamboo Charcoal Wall Panels, PS Wall Panels, Slat Acoustic Panels, PU Stone Panels, Composite Cladding, Composite Decking, Timber Tube, Fences, and related accessories.



SINCE 2005

20 years exported to more than 60+ countries



150,000

Covering a land-area of about 150,000 square meters



100+

A 100+ person sales team and quick response

One-stop Solutions & Elevate Every Space!

CREATING COMFORTABLE NATURAL AESTHETICS

Since the establishment, AesthEdge and SolidexWood have adhered to the principles of prioritizing customers, maintaining a strong reputation, focusing on quality, and delivering exceptional service. We continually develop new materials, innovate designs, and enhance our quality management system. This enables us to provide comprehensive solutions and offer OEM and ODM services to our customers.

WE CARE /WE ACT

Our Commitments for a Sustainable future



Using sustainable materials



Carbonfootprint
-20 % kg



Recyclable



3D Series Wall Panel

◆ Slat Acoustic Panel



MDF Acoustic panel

03



DIY Acoustic Panel

05

◆ WPC Wall Panel



WPC Wall Panel

12



WPC Ceiling

19



WPC Timber Tube

21

◆ PS Wall Panel



PS Wall Panel

24

◆ PU Stone Panel



PU Stone

28

Flat Series Wall Panel

◆ PVC Marble Sheet



PVC Marble Sheet

34



Embossed Marble Sheet

38

◆ WPC Flat Wall Panel



Anti-collision Panel

40



Bamboo Fiber Wall Panel

41



Bamboo Charcoal Wall Panel

42

◆ SPC Wall Panel



SPC Click Wall Panel

48



UPVC Wall Panel

51

Outdoor Series

◆ Composite Cladding



WPC Classic Wall Panel

60



WPC Co-extrusion Wall Panel

61



ASA Composite Cladding

62

◆ Composite Fence



WPC Classic Fence

64



WPC Co-extrusion Fence

64



ASA Fence

64

◆ Composite Timber Tube



WPC Classic Timber Tube

66



WPC Co-extrusion Timber Tube

66

◆ Composite Decking



WPC Classic Decking

68



WPC 3D Embossed Decking

69



WPC Co-extrusion Decking

70



ASA Composite Decking

71



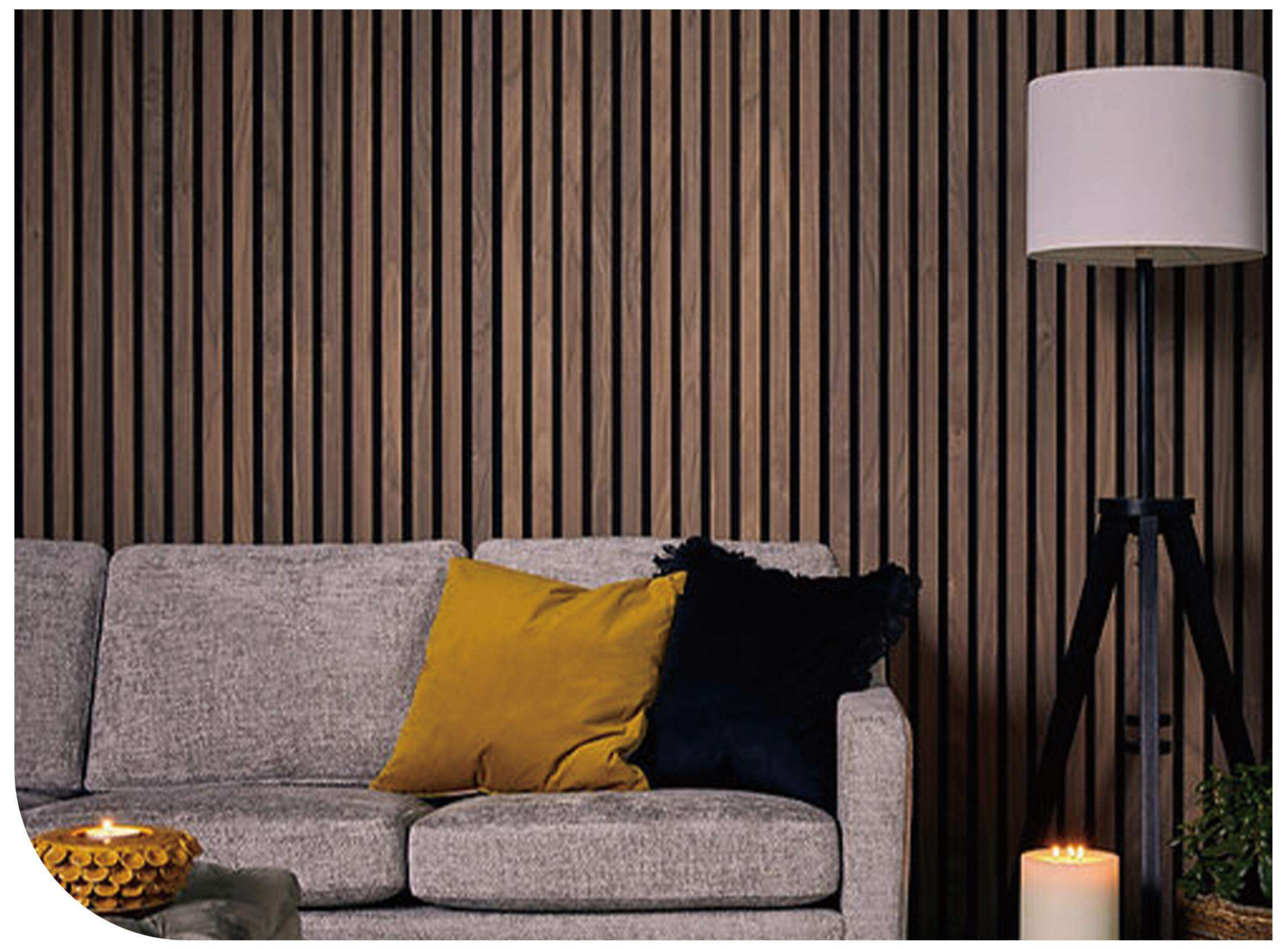
**3D SERIES
WALL PANEL**

A ACOUSTIC PANEL

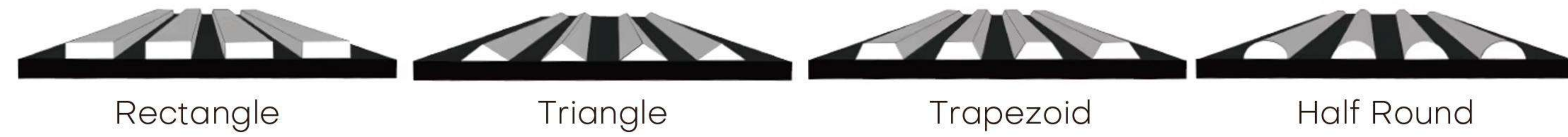
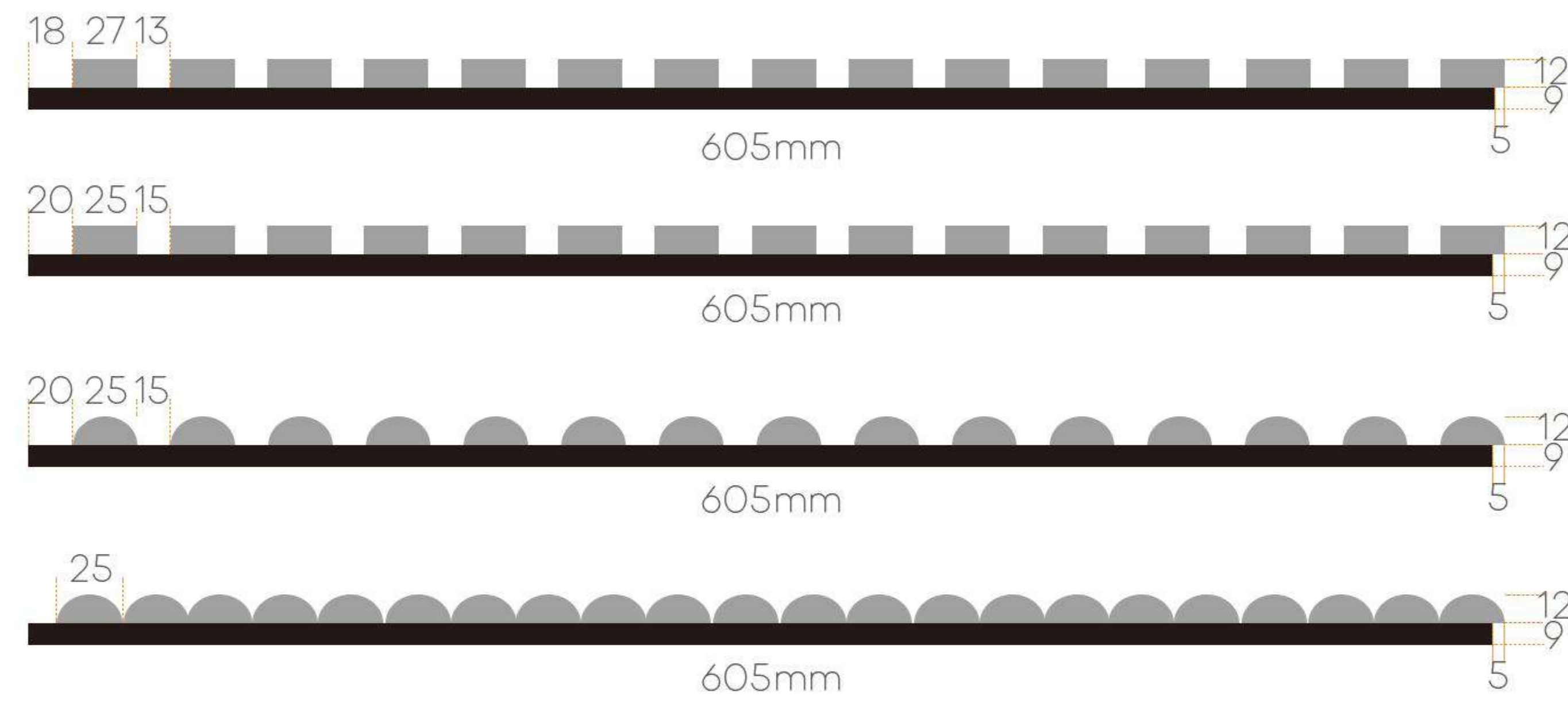
Acoustic Panels provide an excellent look and improve acoustics by absorbing echoes and reverberations



◎ MDF ACOUSTIC PANEL



Product Structure



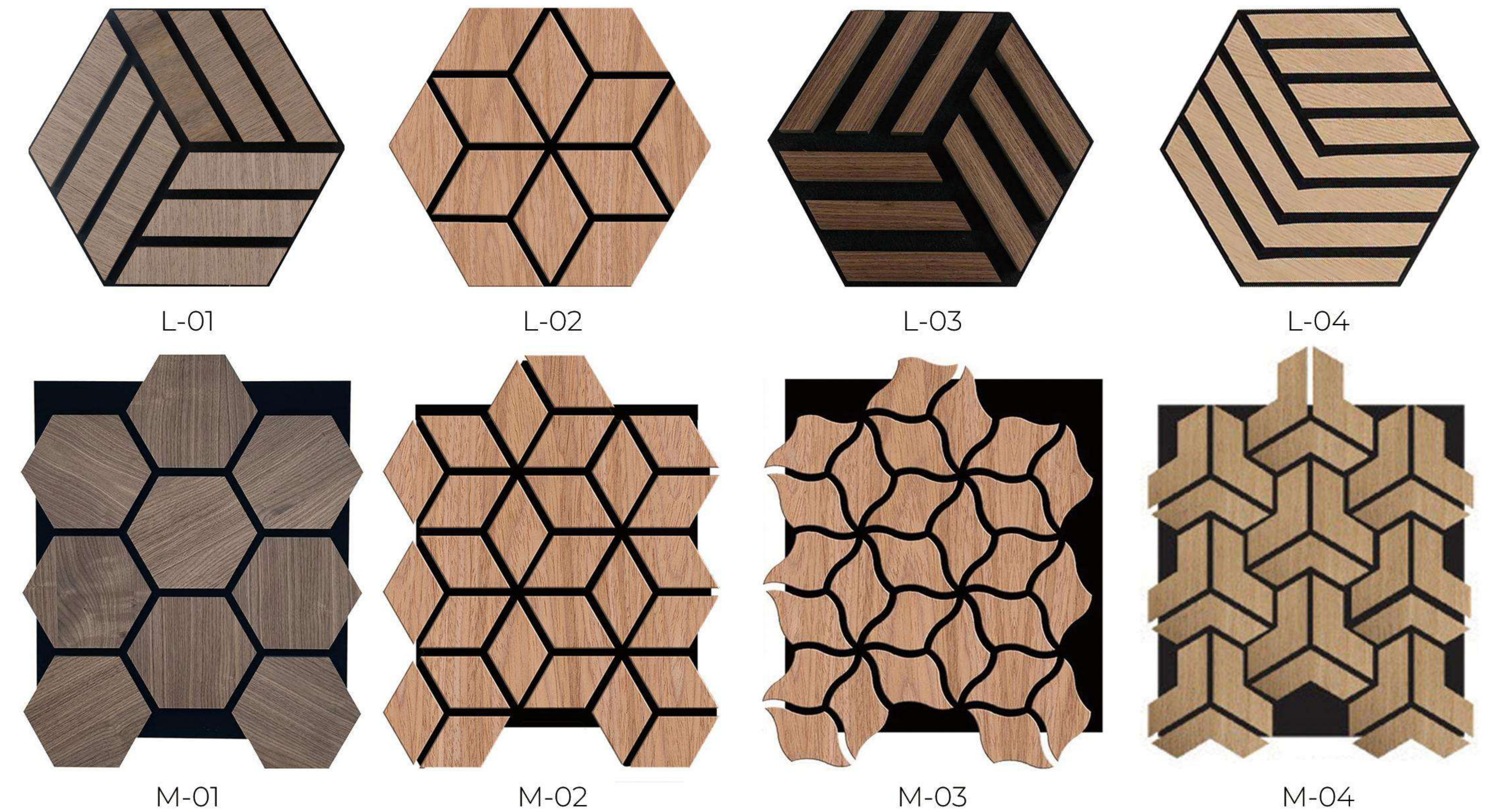
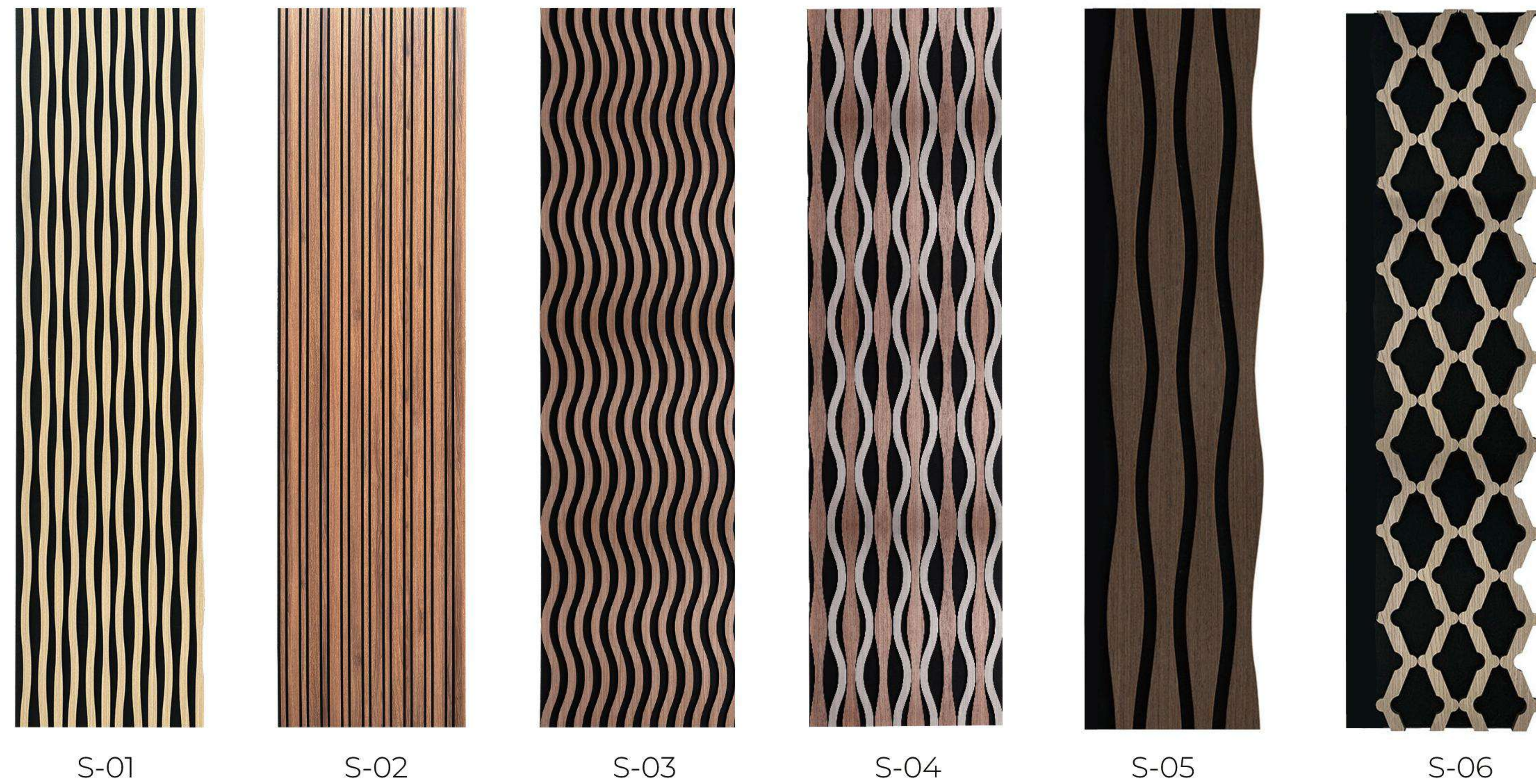
Slat Edges Choice



First Layer Cover Choice

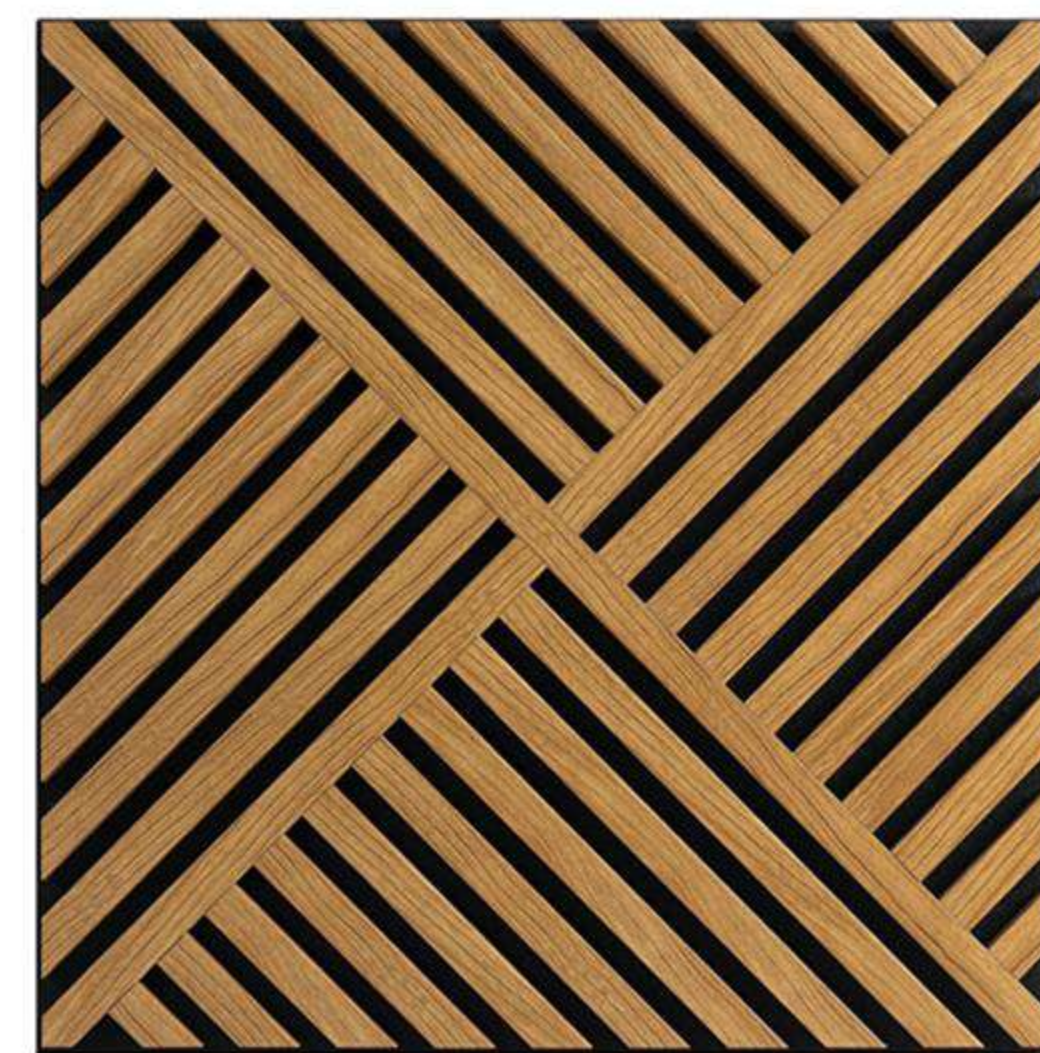


DIY ACOUSTIC PANEL





T-04



T-05



T-06

Puzzle Wall Panel



P-01



P-02



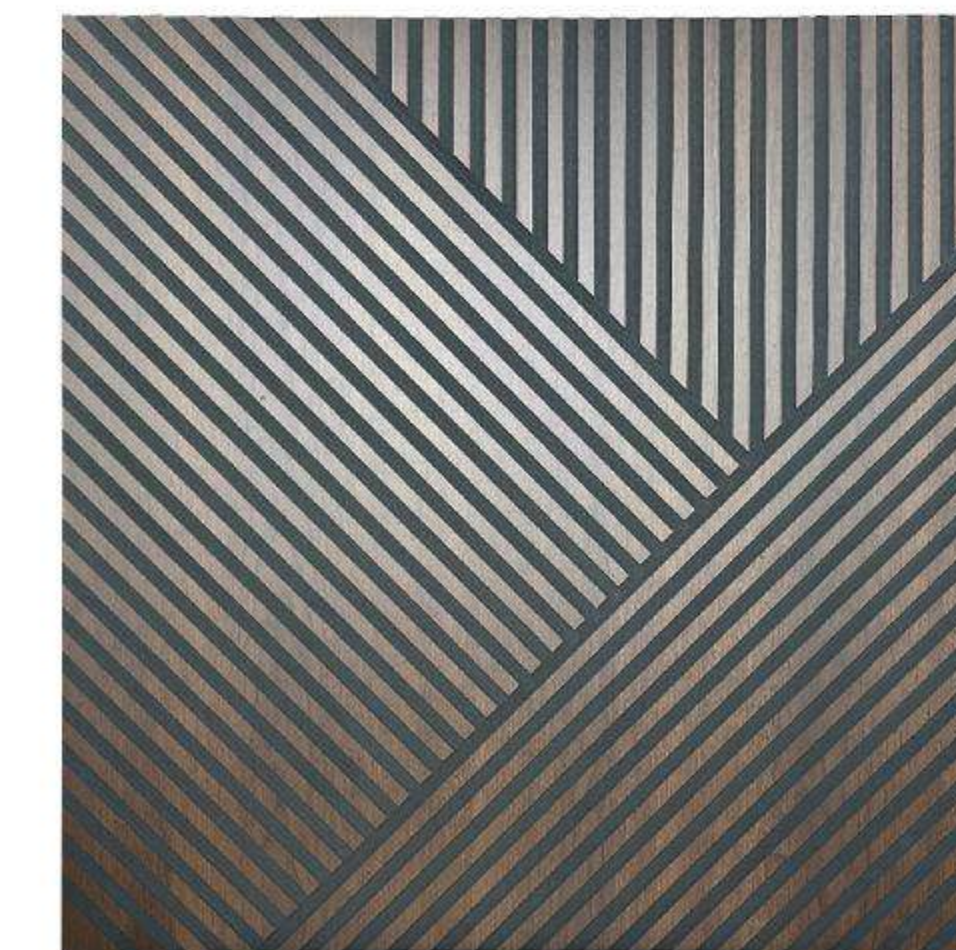
P-04



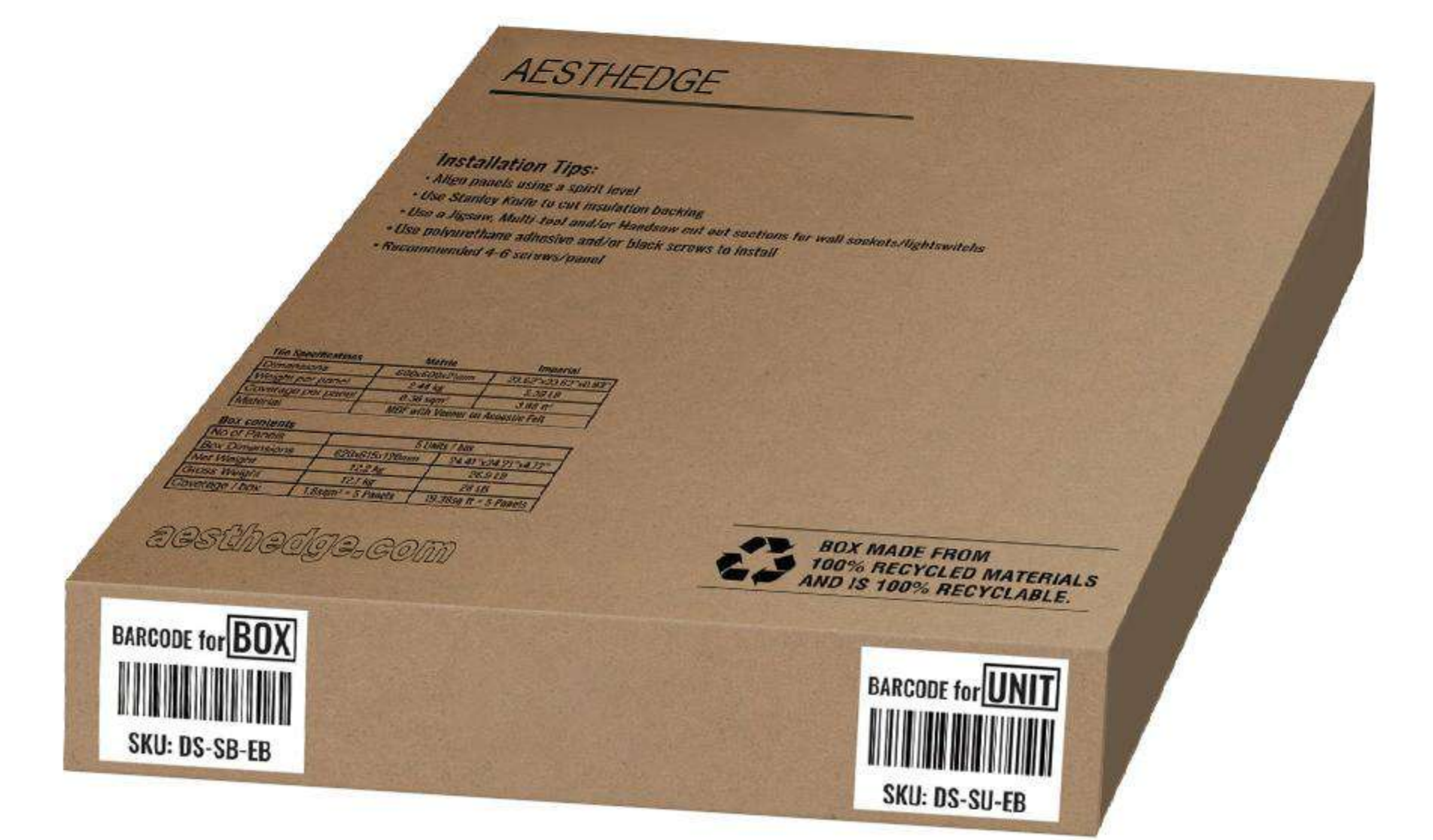
P-05



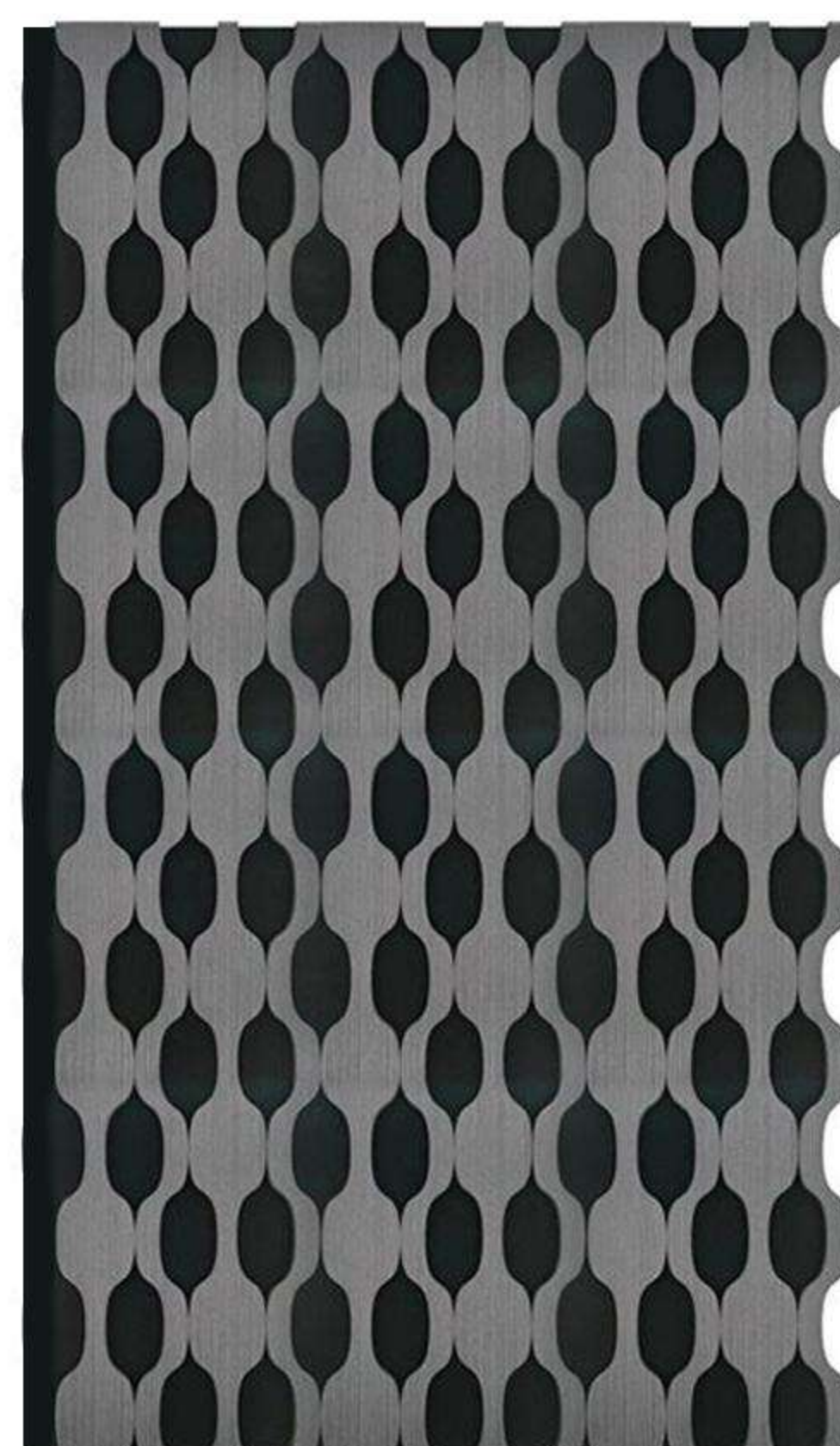
P-06



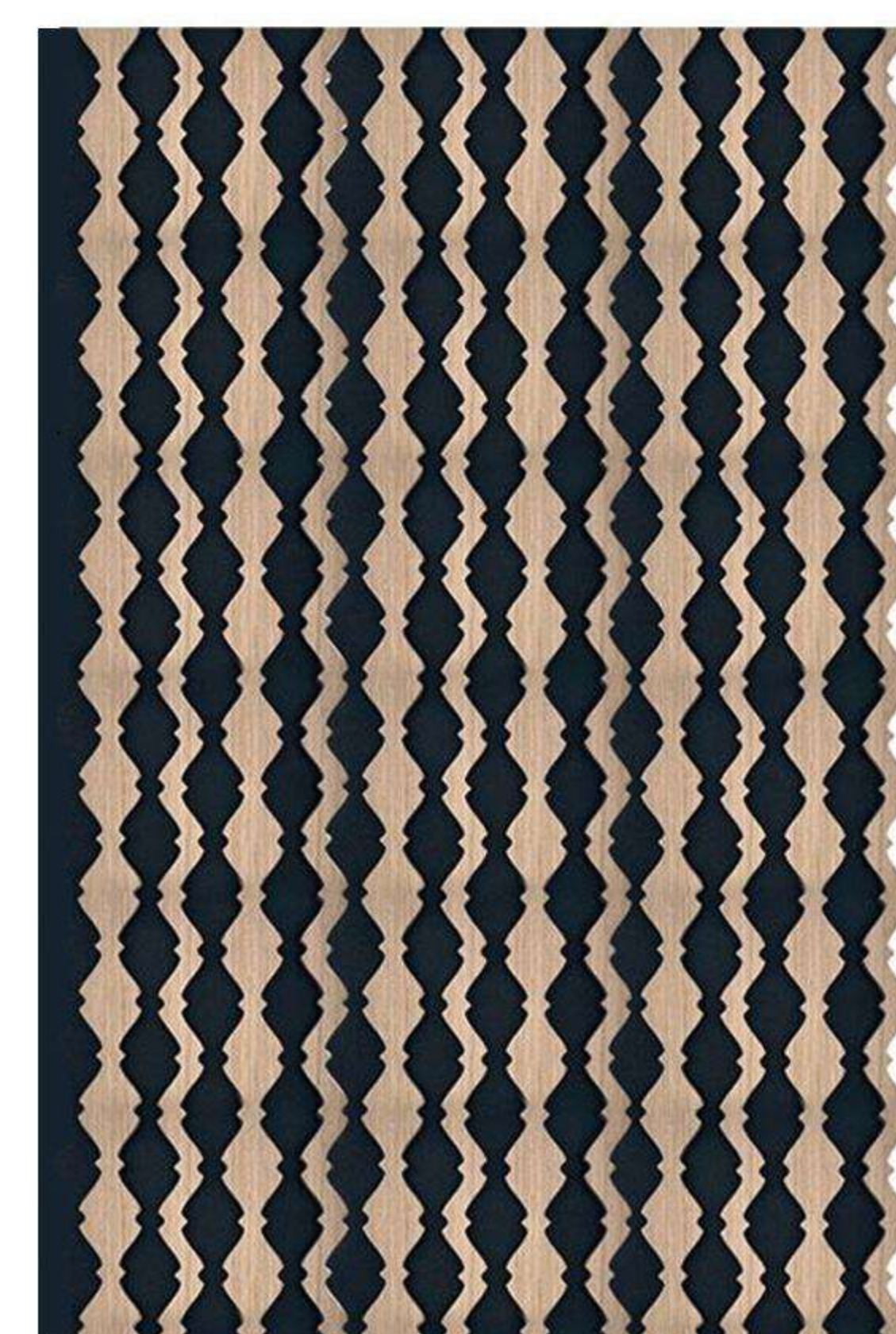
P-07



S-07



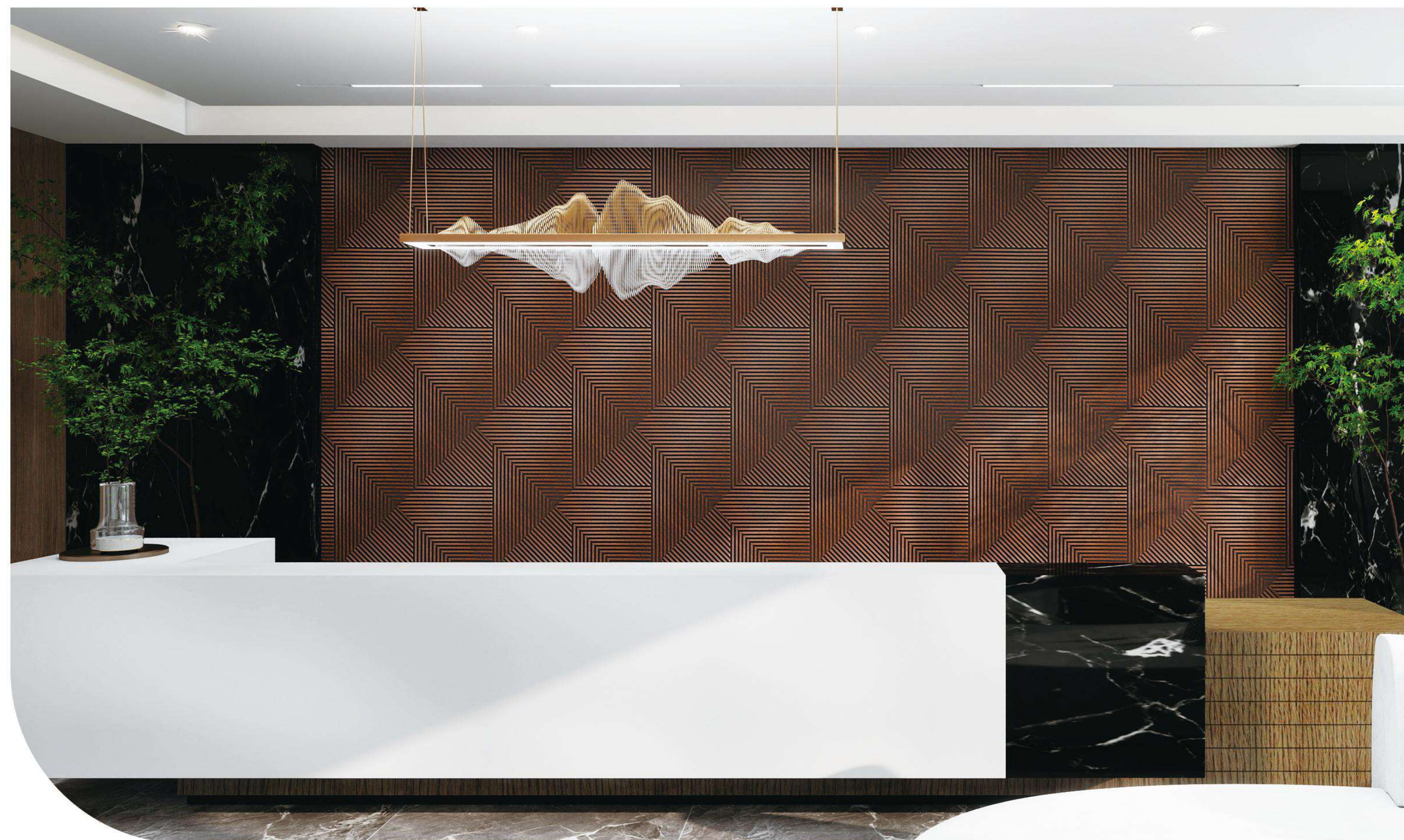
S-08



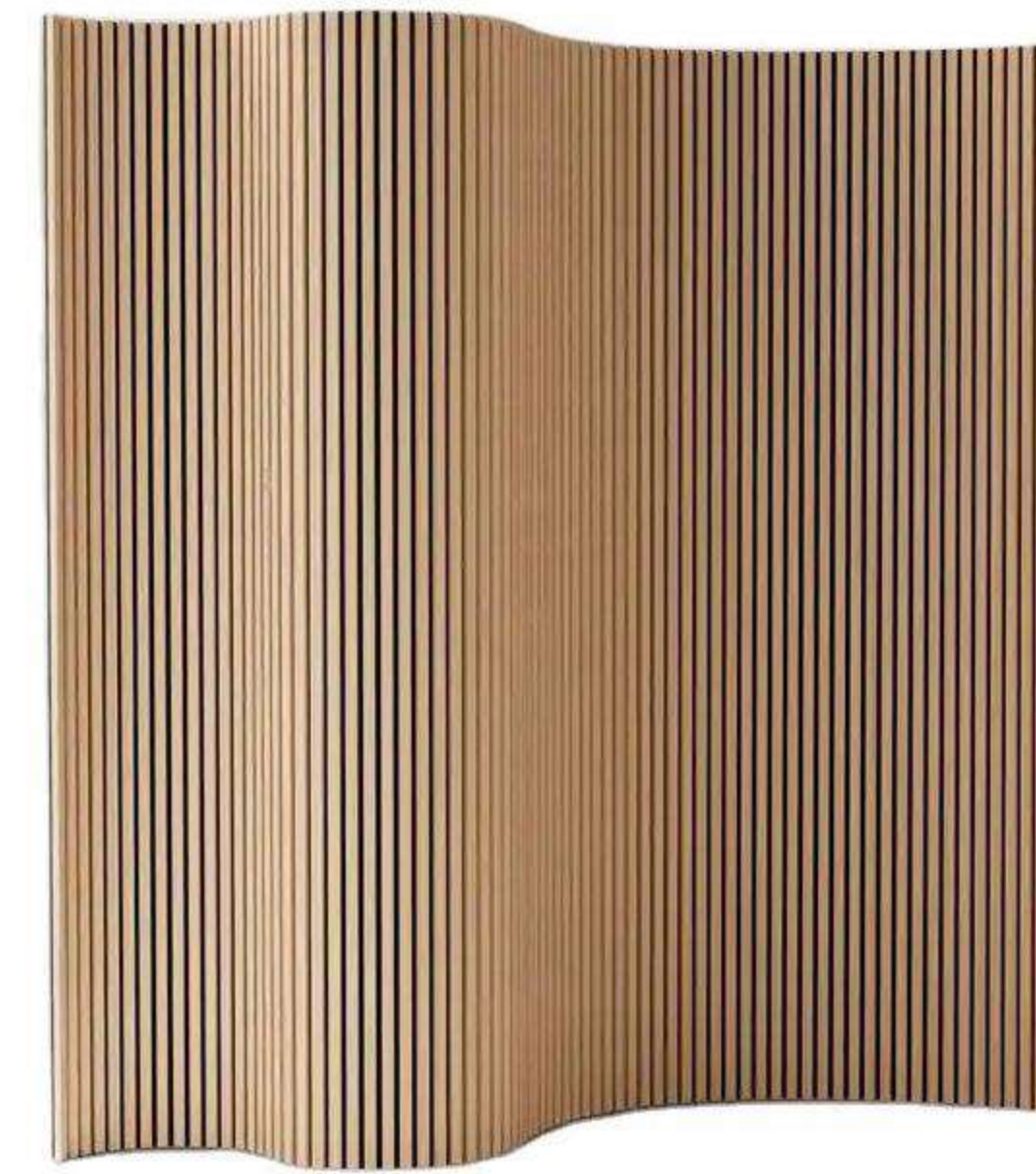
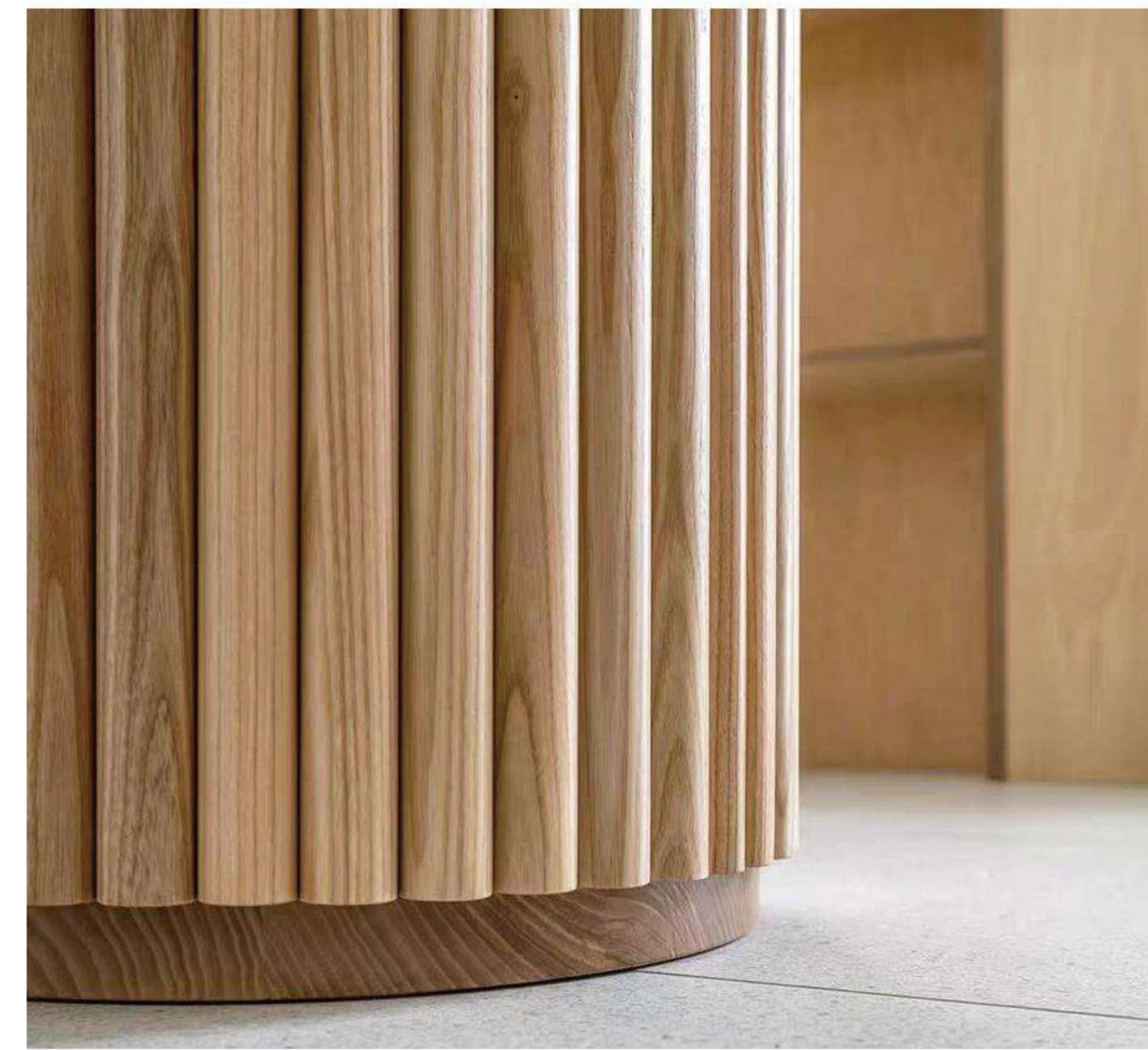
S-09



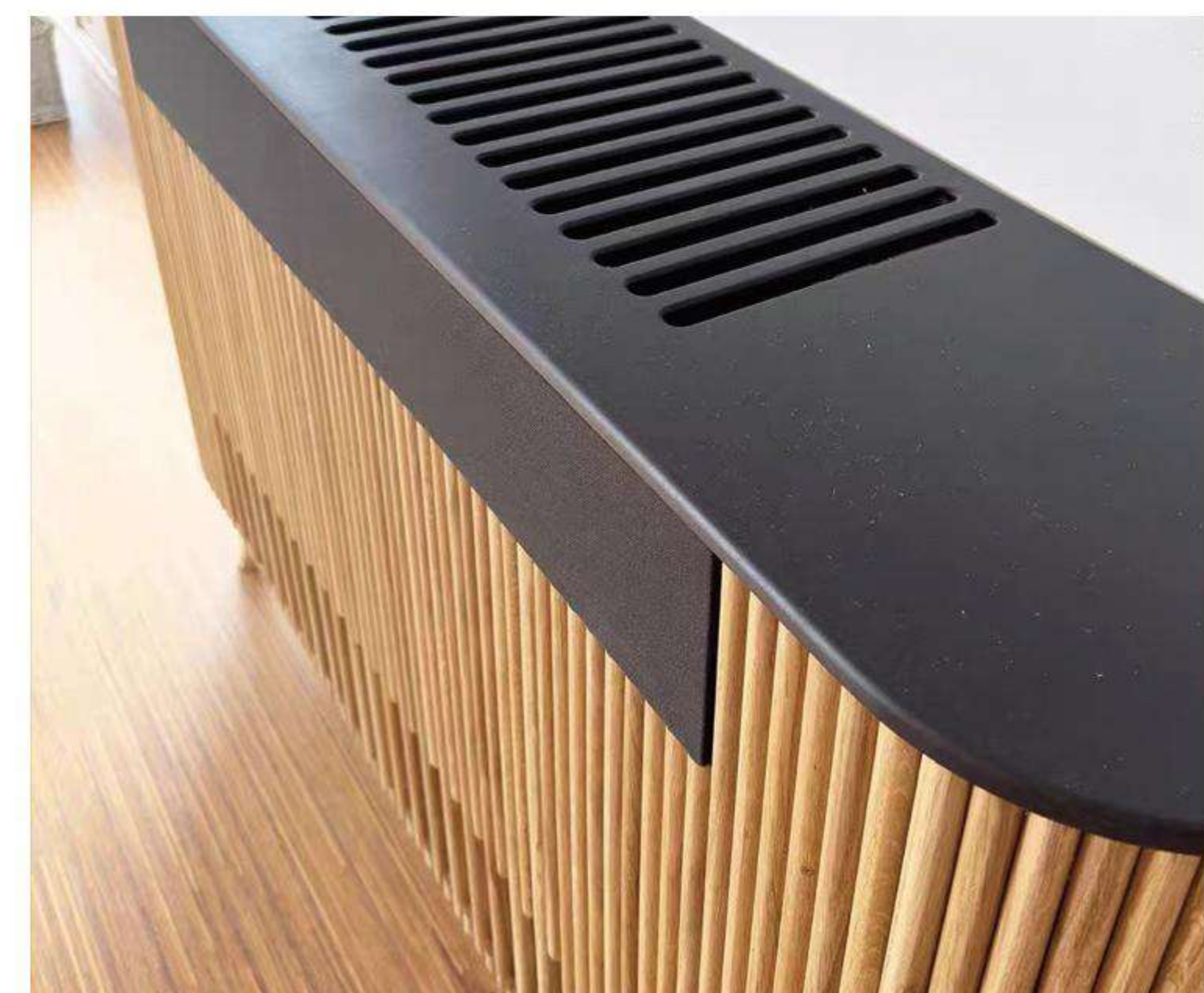
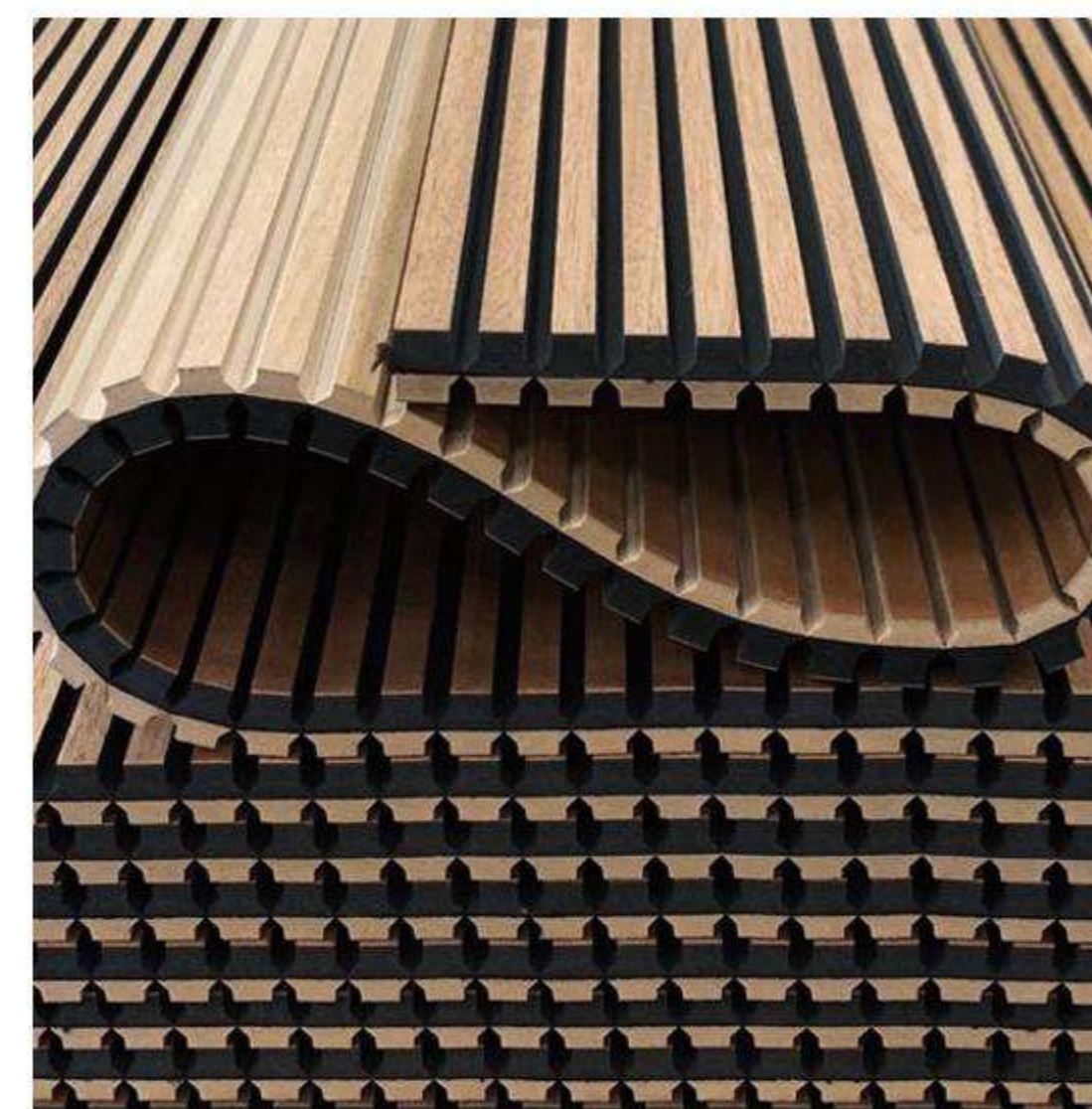
S-10



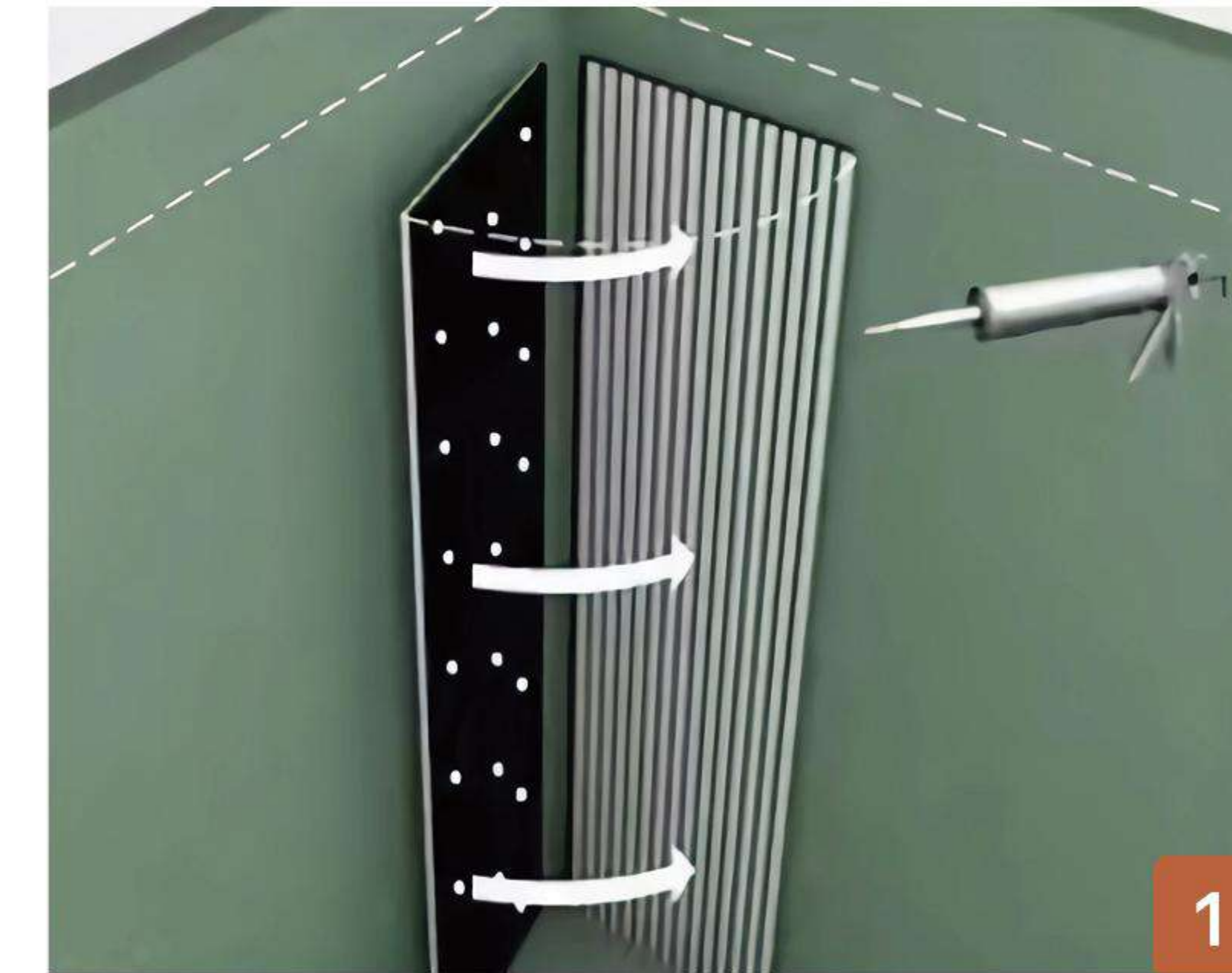
Flexible Panel



Q-01



Installation



1. Glue Installation

Directly use construction adhesive or structural adhesive to stick it to the wall.



2. Screw Installation

Use black screws to attach the backing board to the wall through the polyester acoustic panel. It is recommended to use at least 9 screws per grille panel.



3. Wooden Battens

Directly screw the grille panel into the wooden battens. For optimal sound absorption, use polyester fiber acoustic panels and leave space behind the panels for Rockwool. This combination will achieve better sound absorption.

W

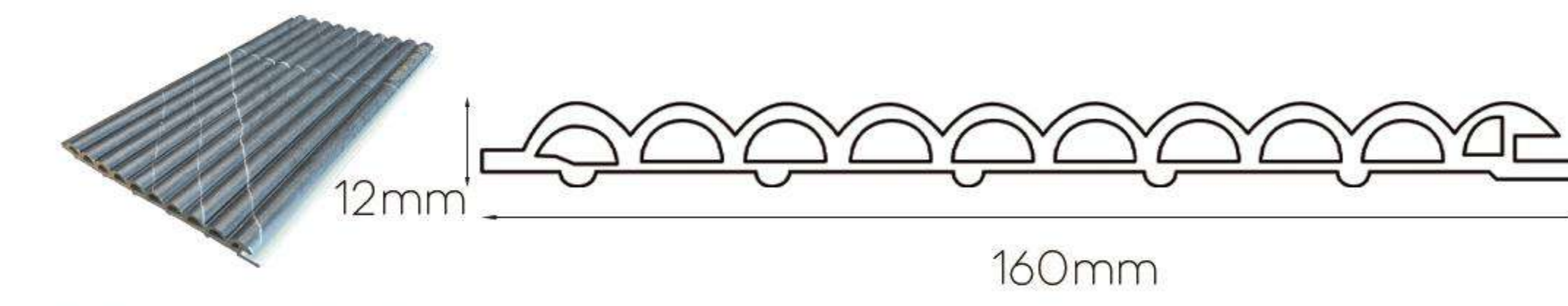
WPC WALL PANEL

Made of wood-plastic composite material

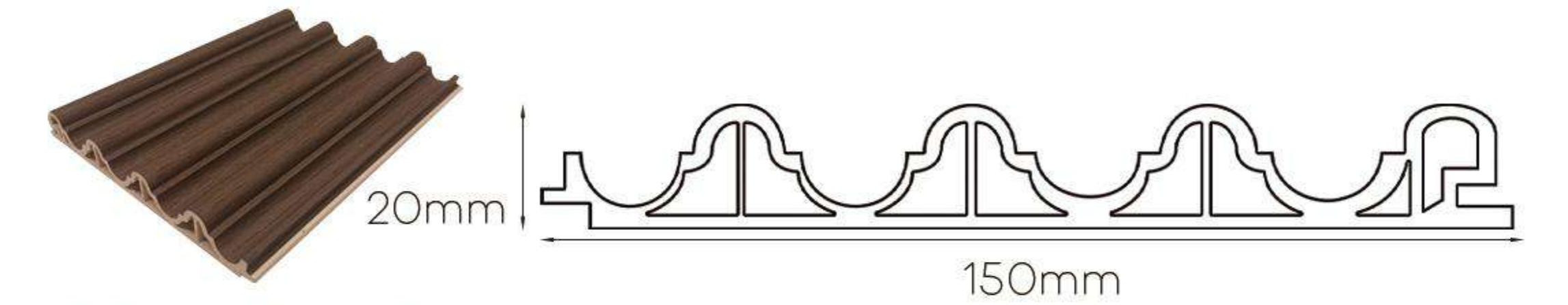
2026



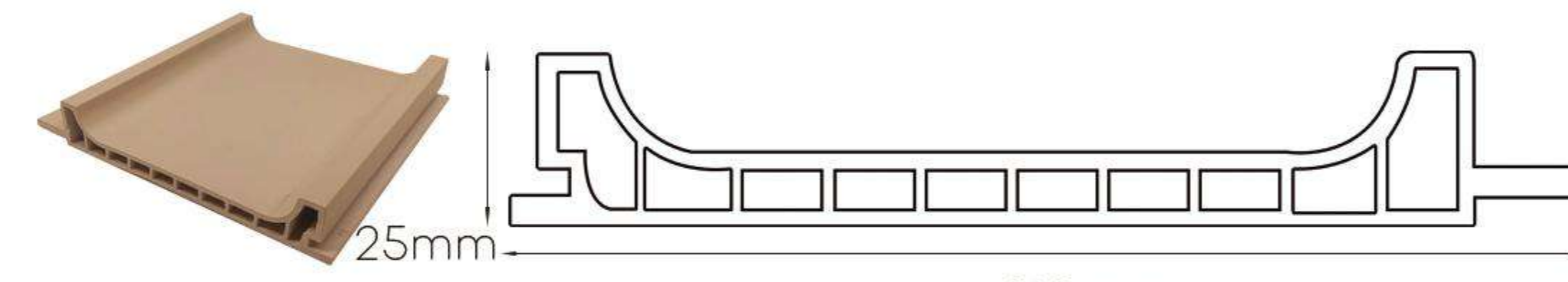
WPC WALL PANEL



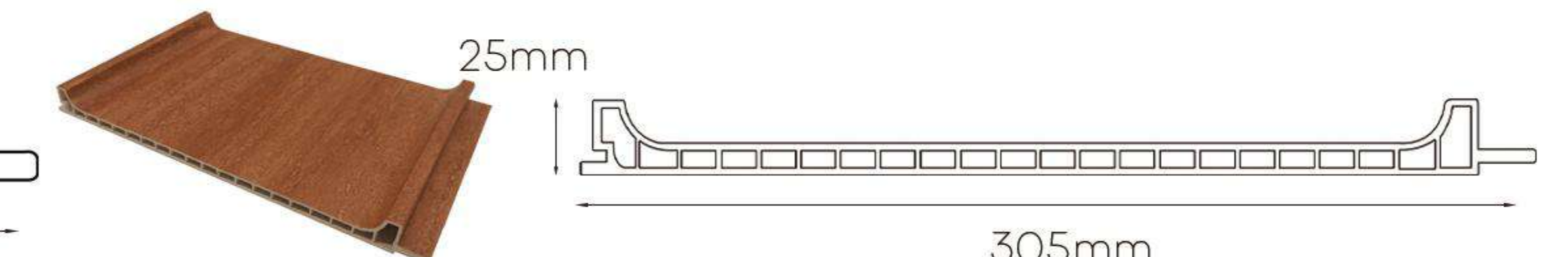
CSW-16012



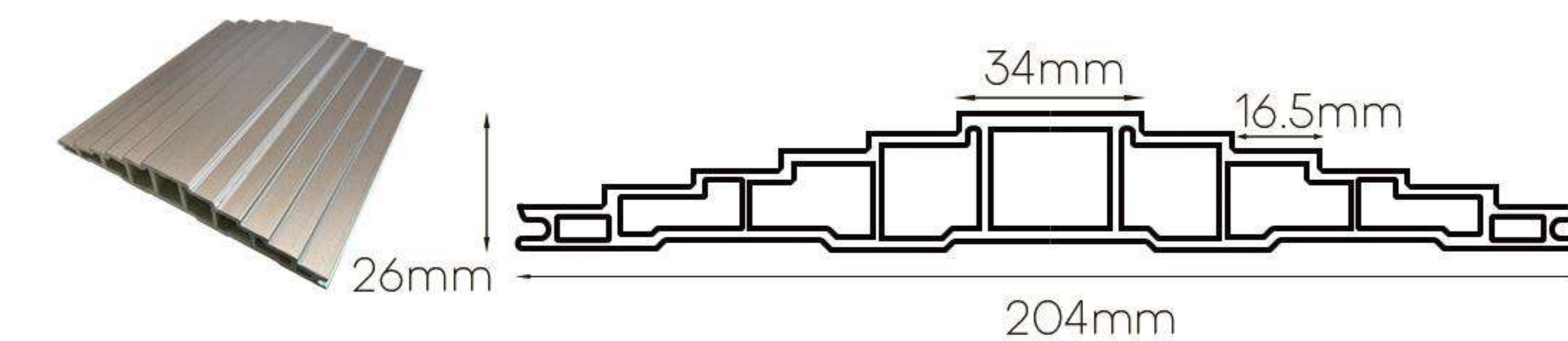
CSW-15020



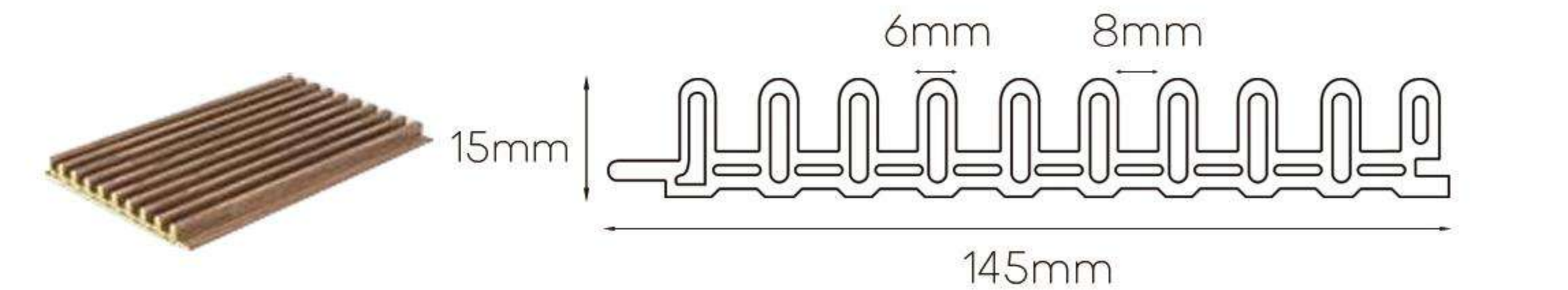
CSW-16025U



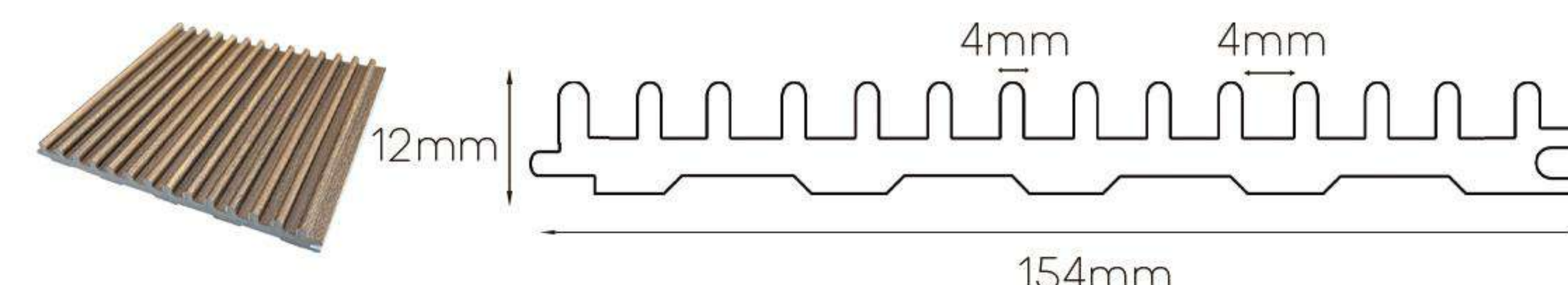
CSW-30525U



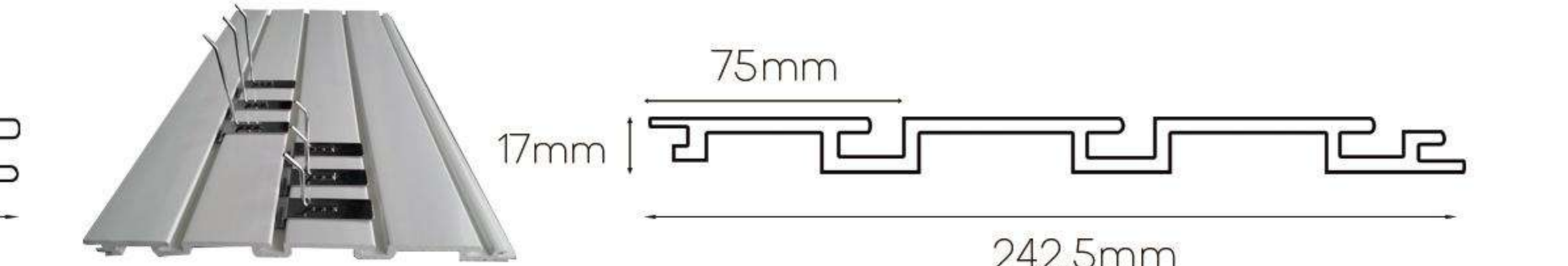
CSW-20426



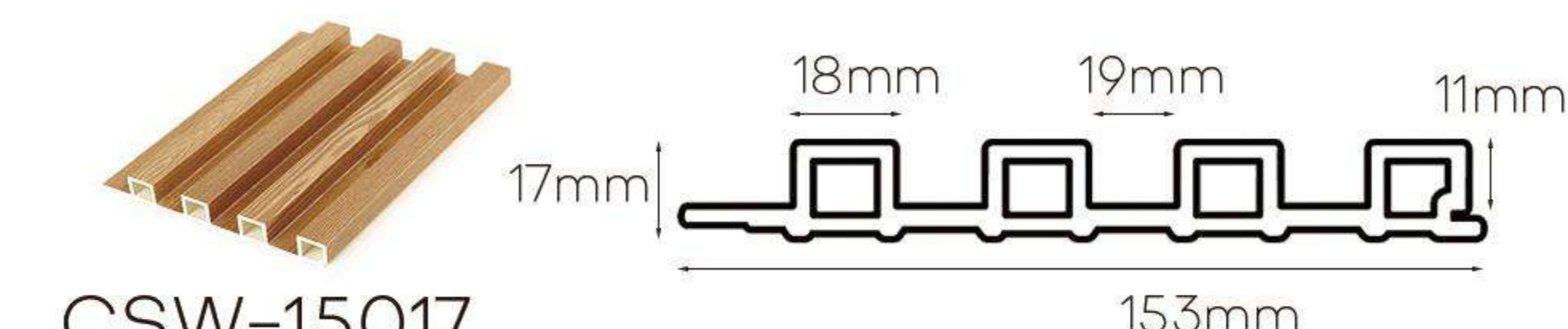
CSW-14515



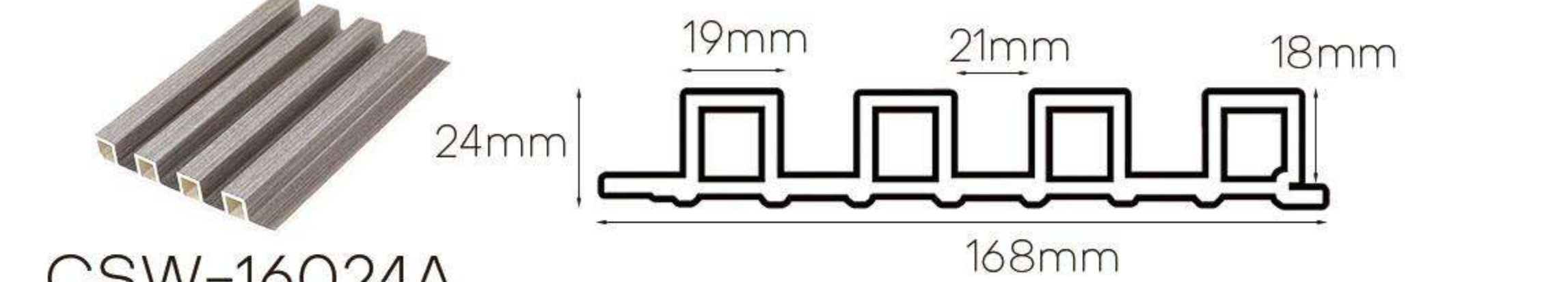
CSW-15412



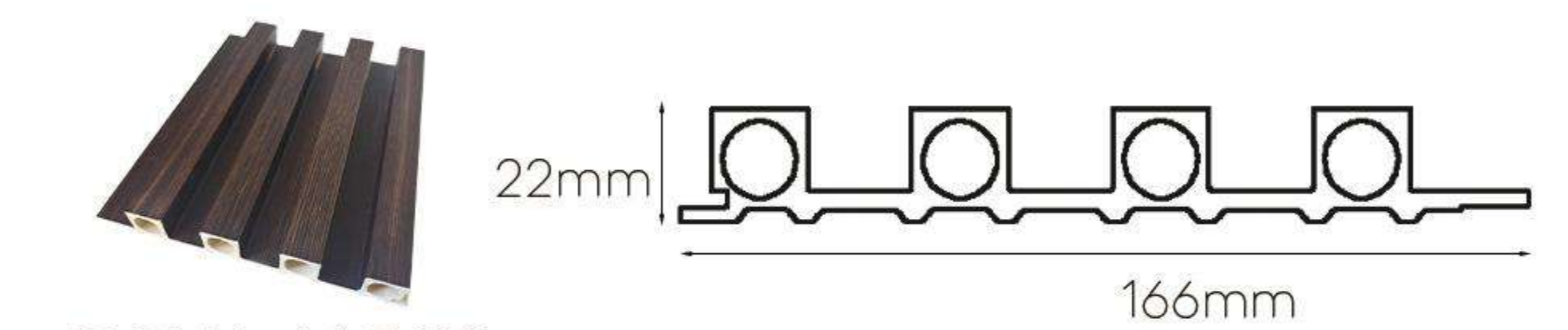
CSW-24217



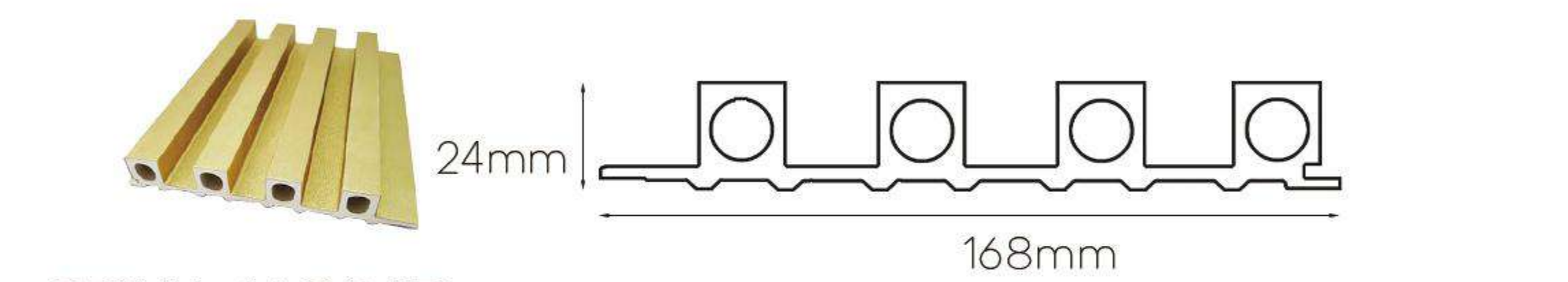
CSW-15017



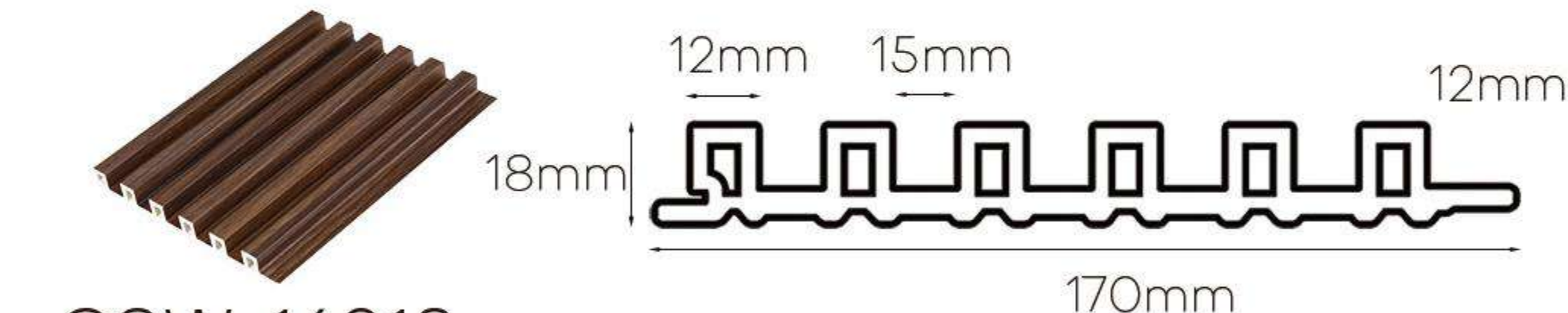
CSW-16024A



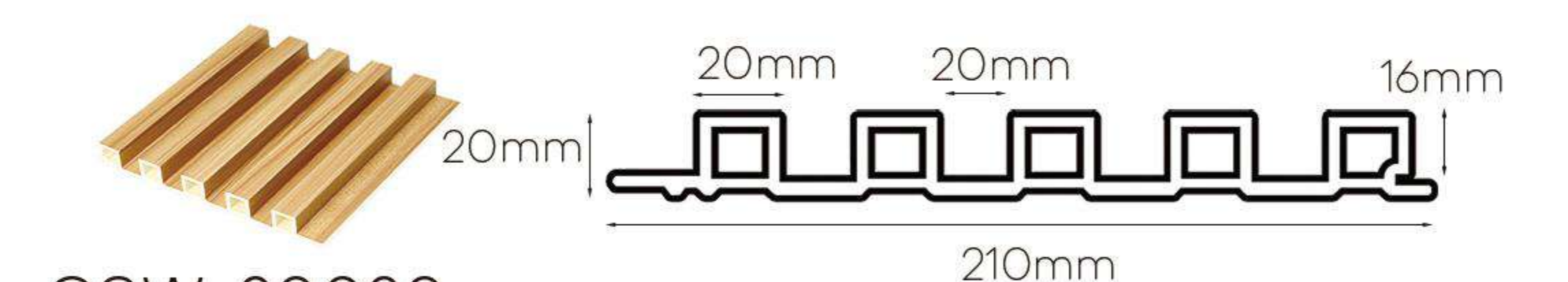
CSW-16022



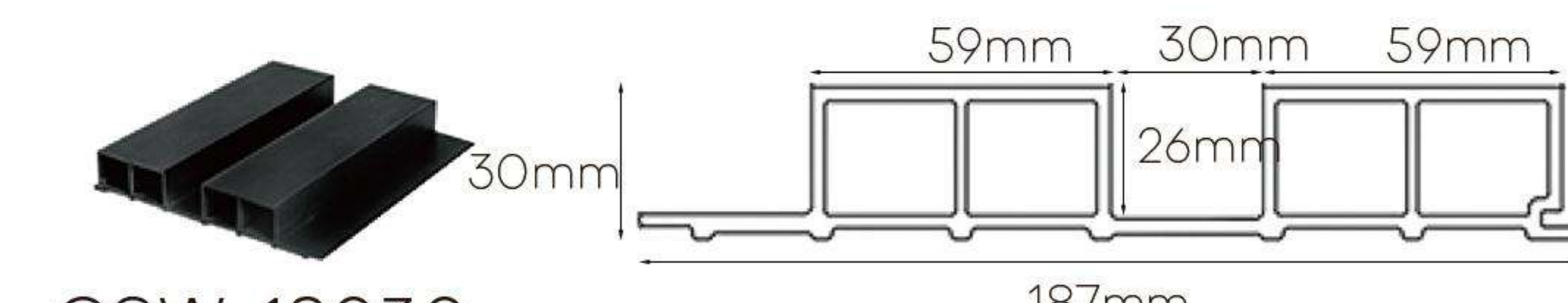
CSW-16024B



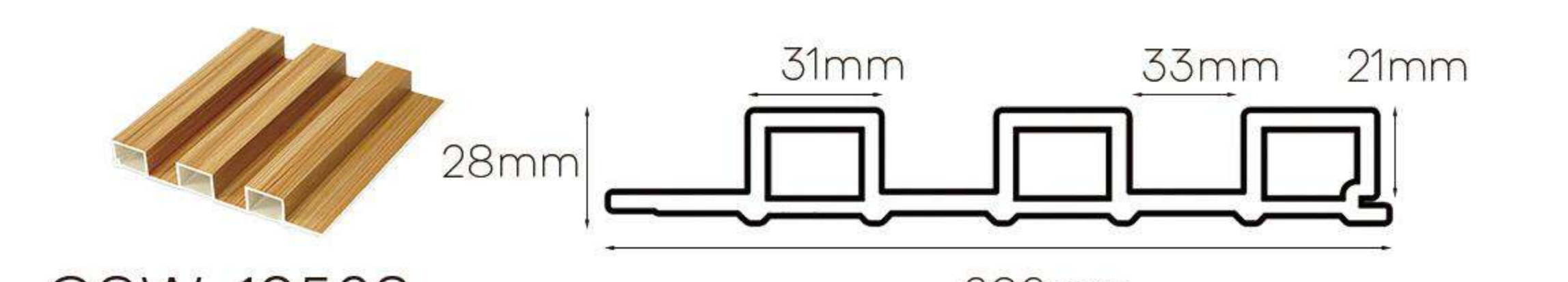
CSW-16018



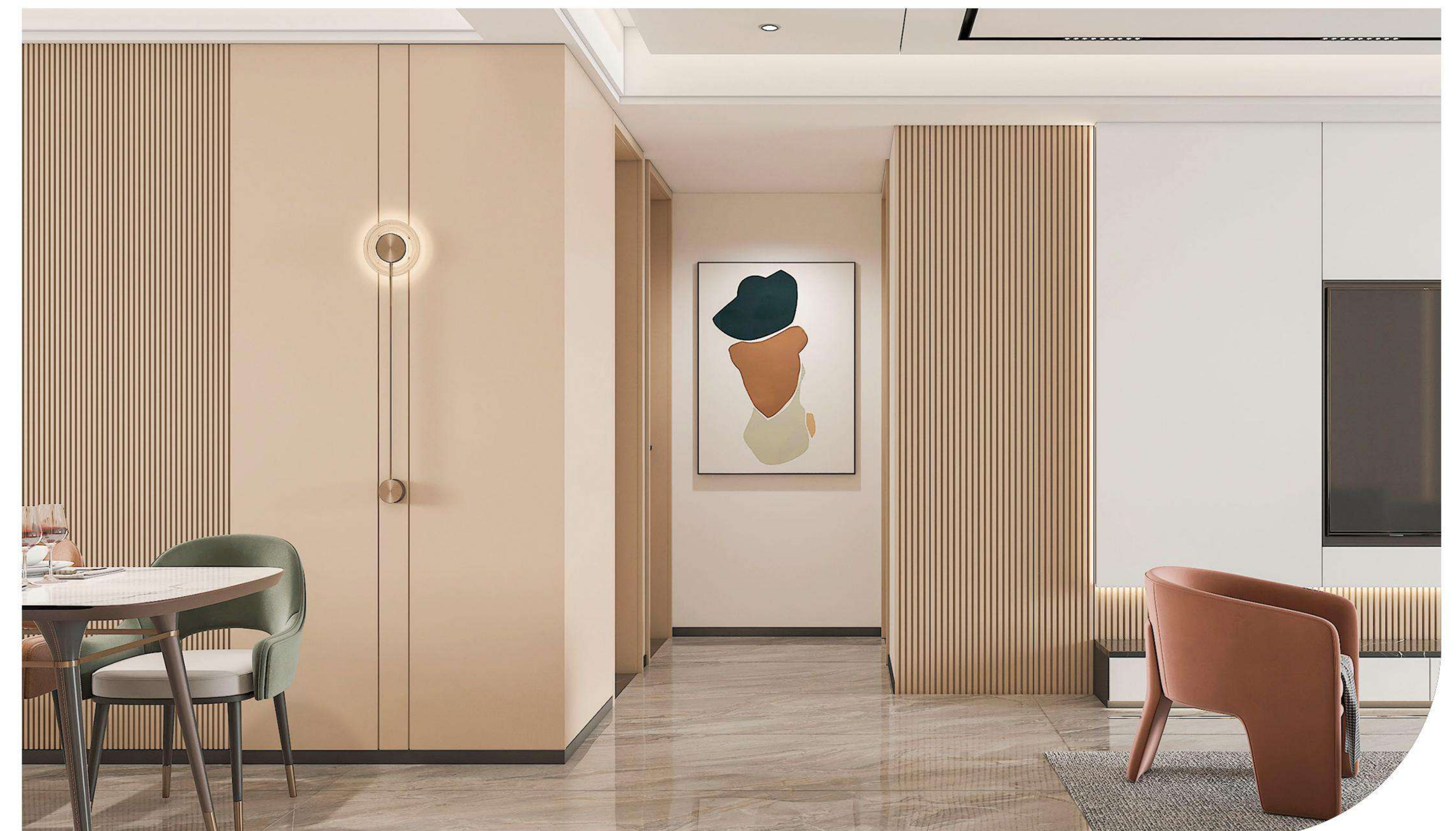
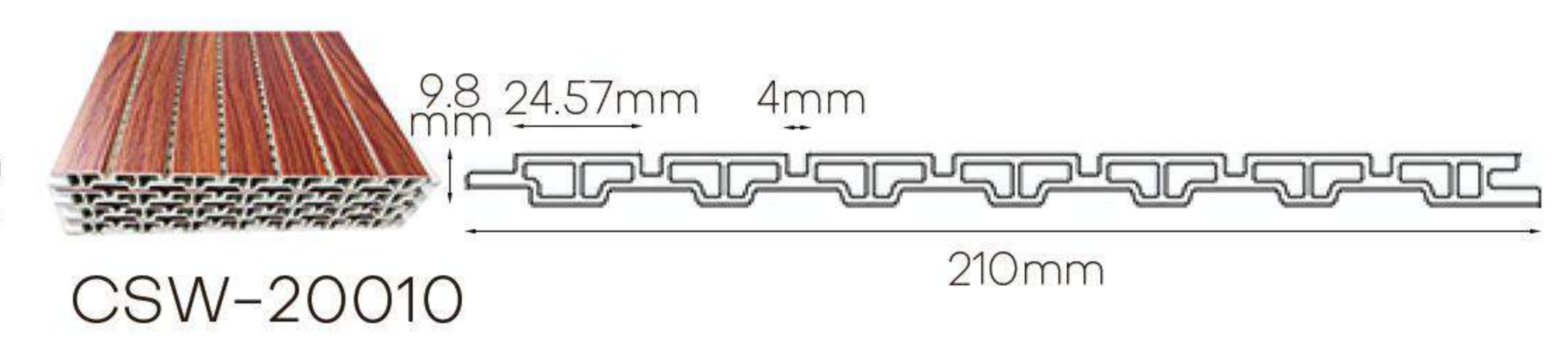
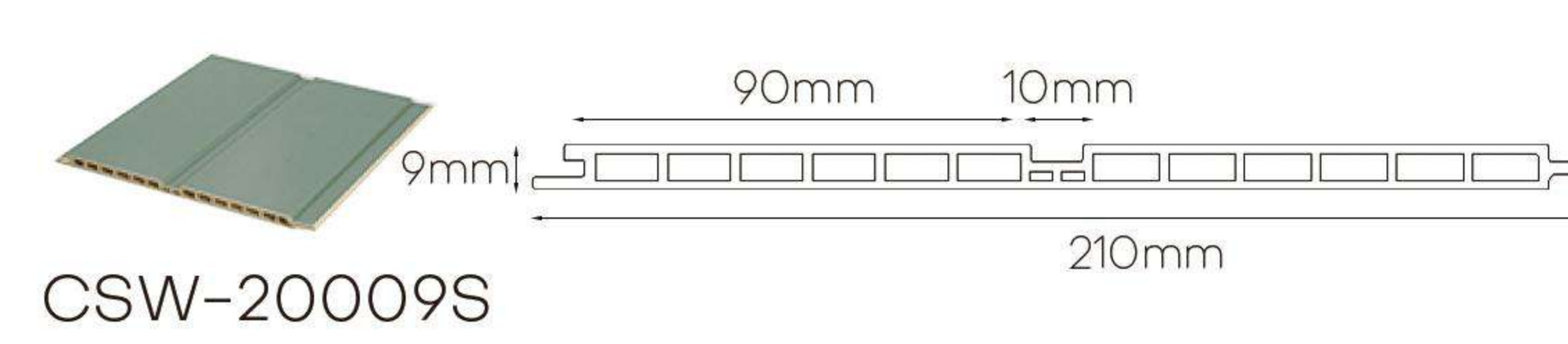
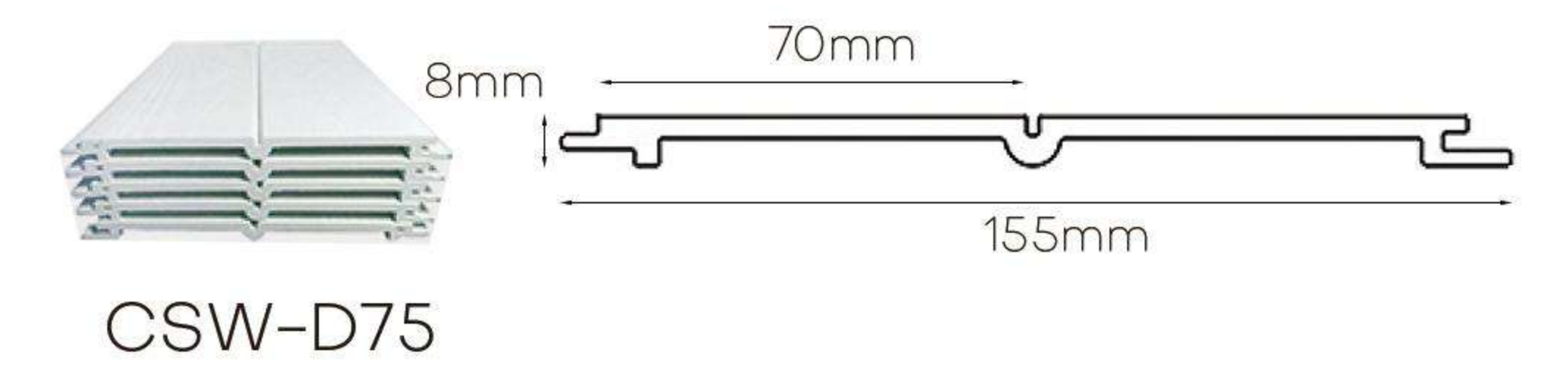
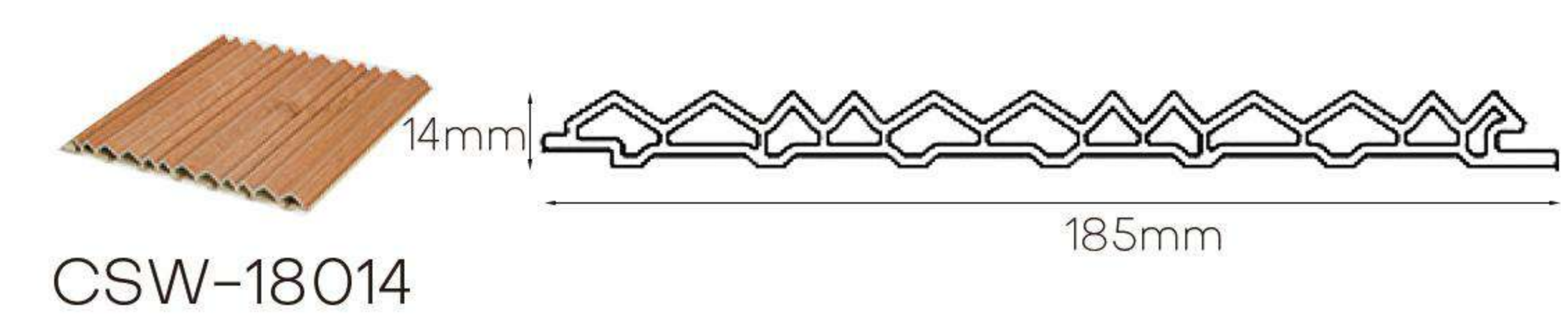
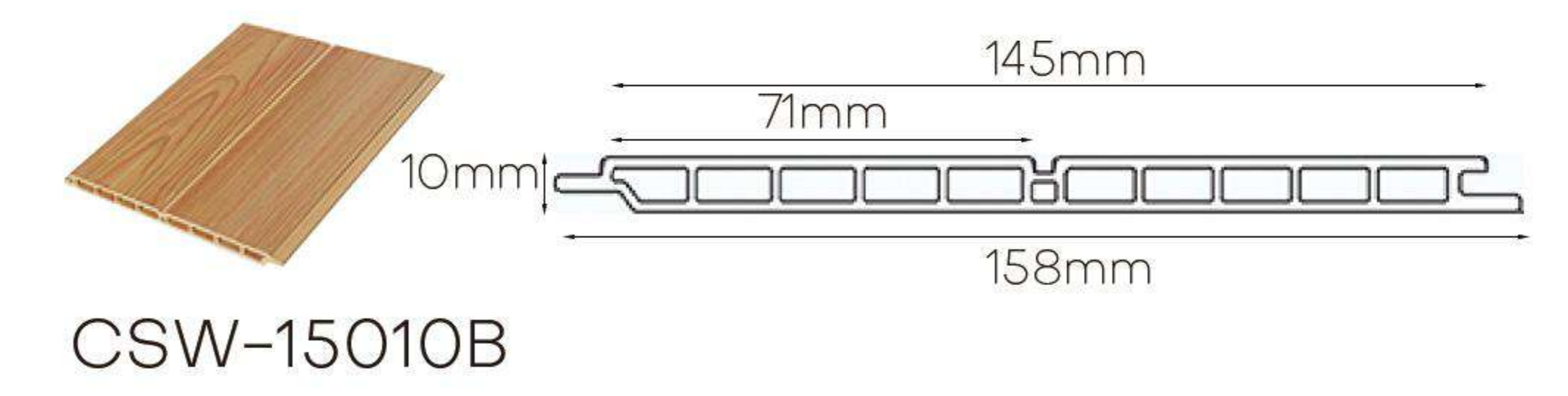
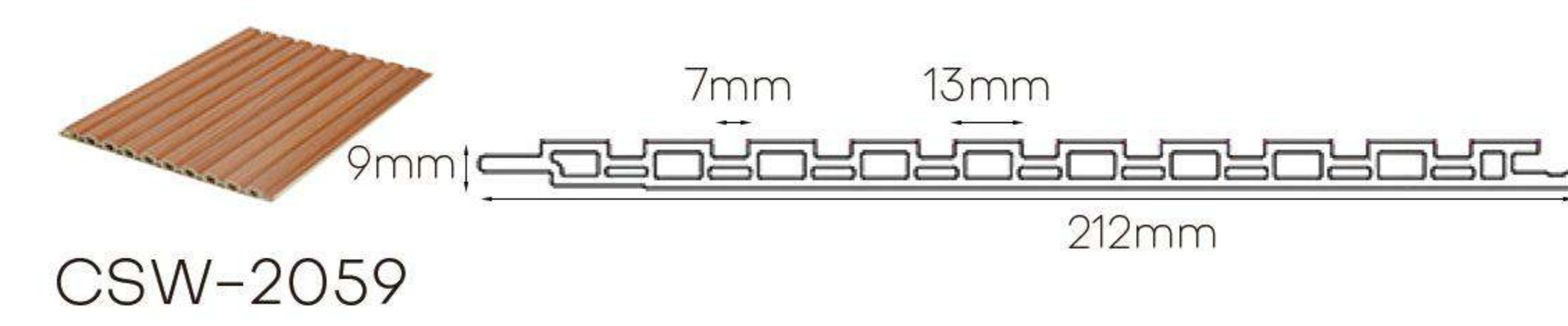
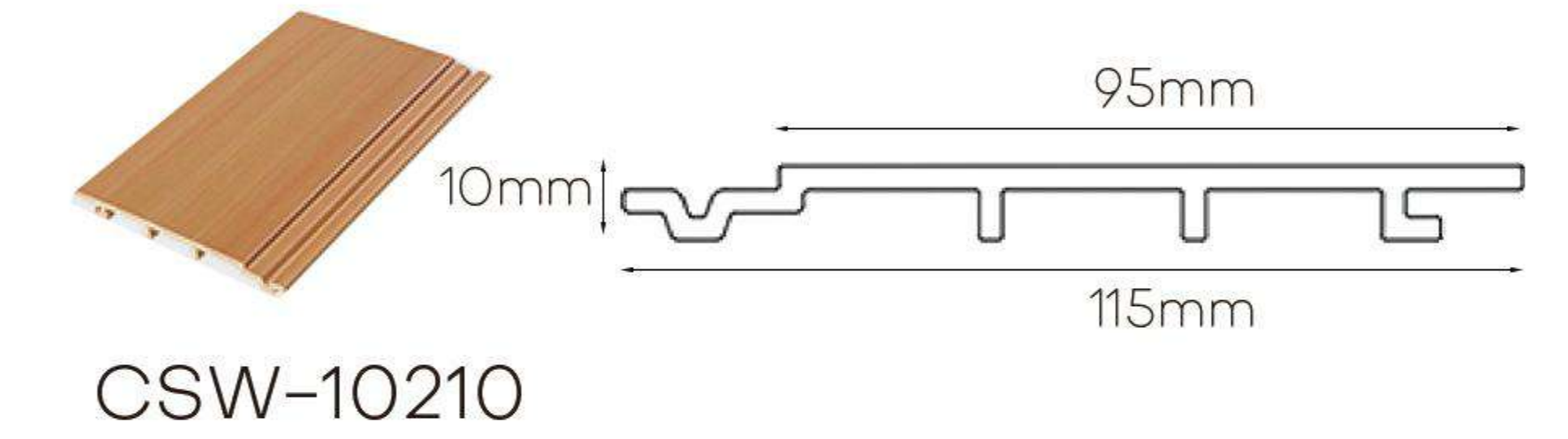
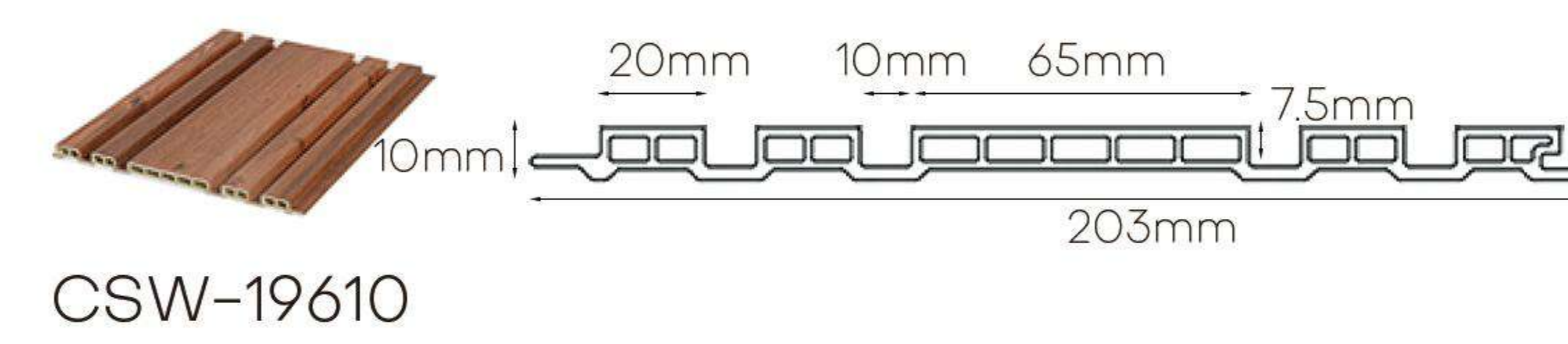
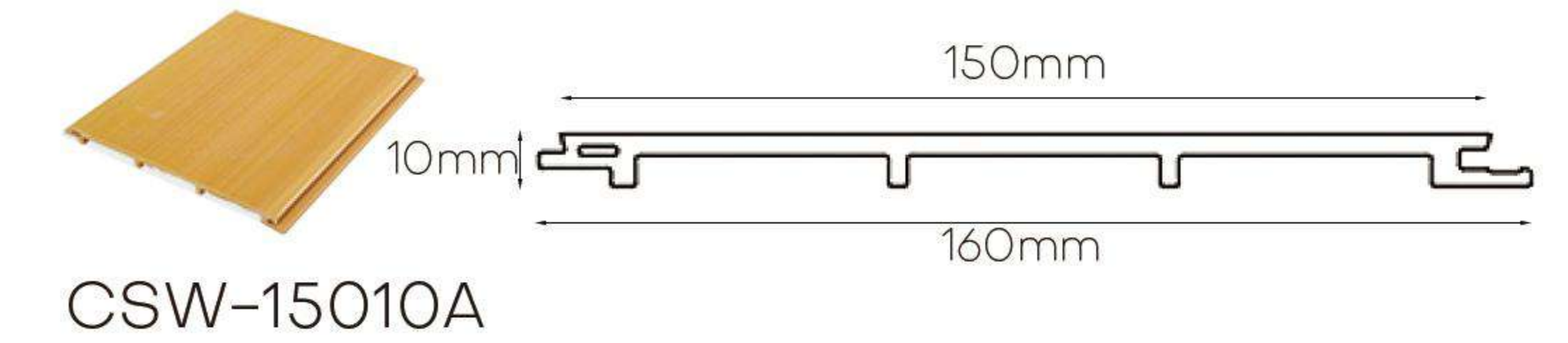
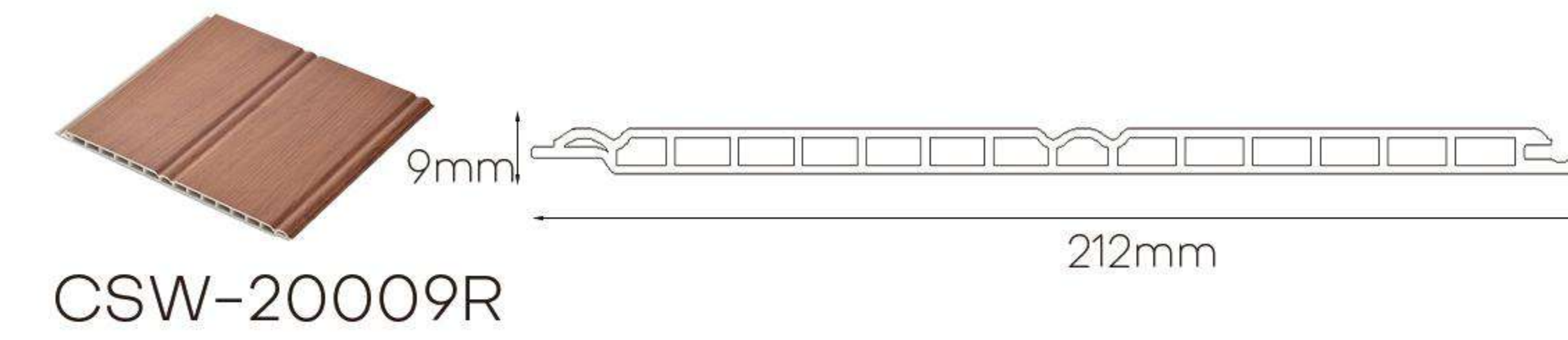
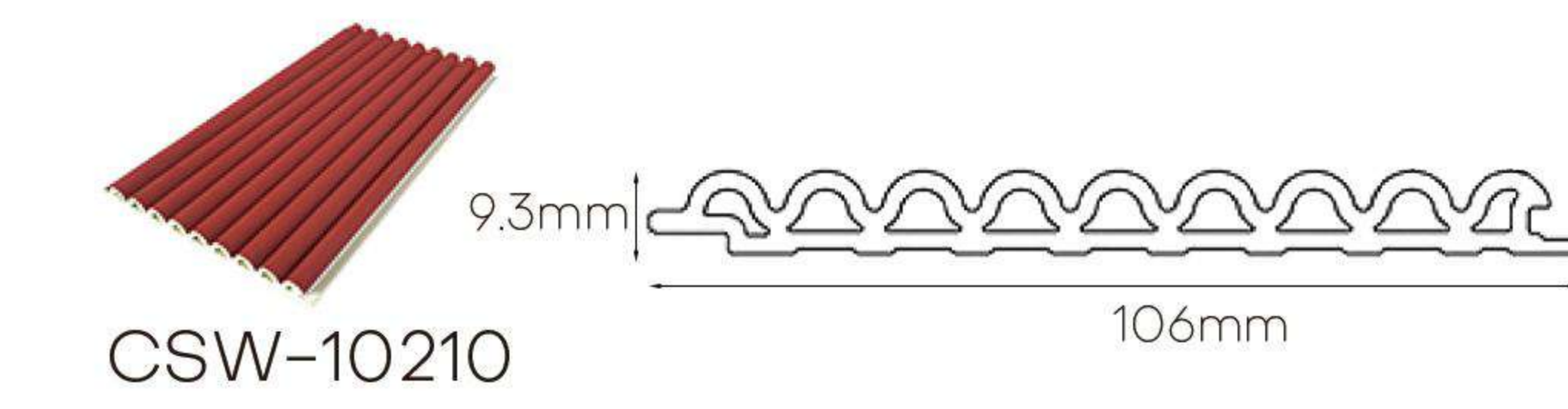
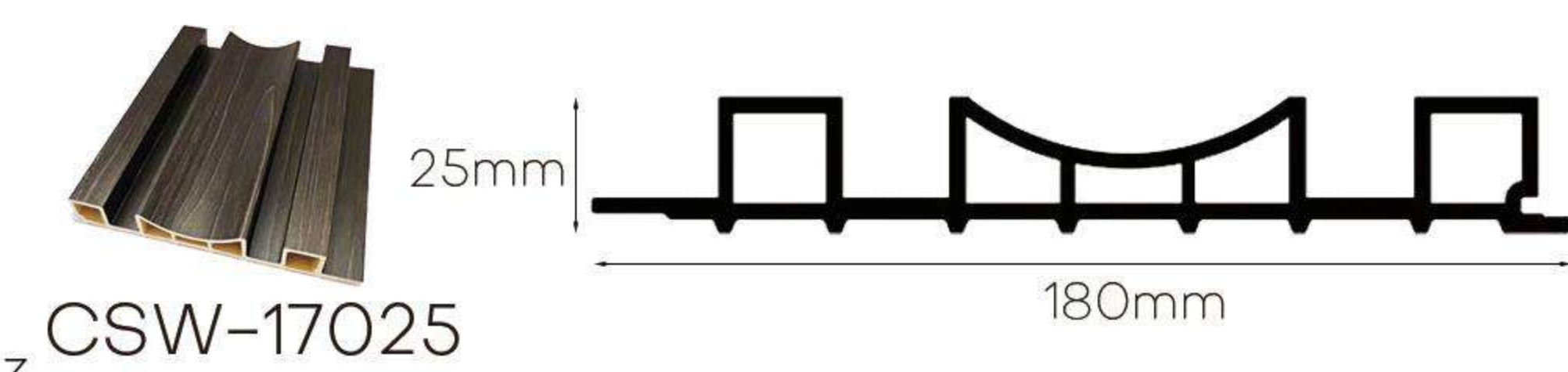
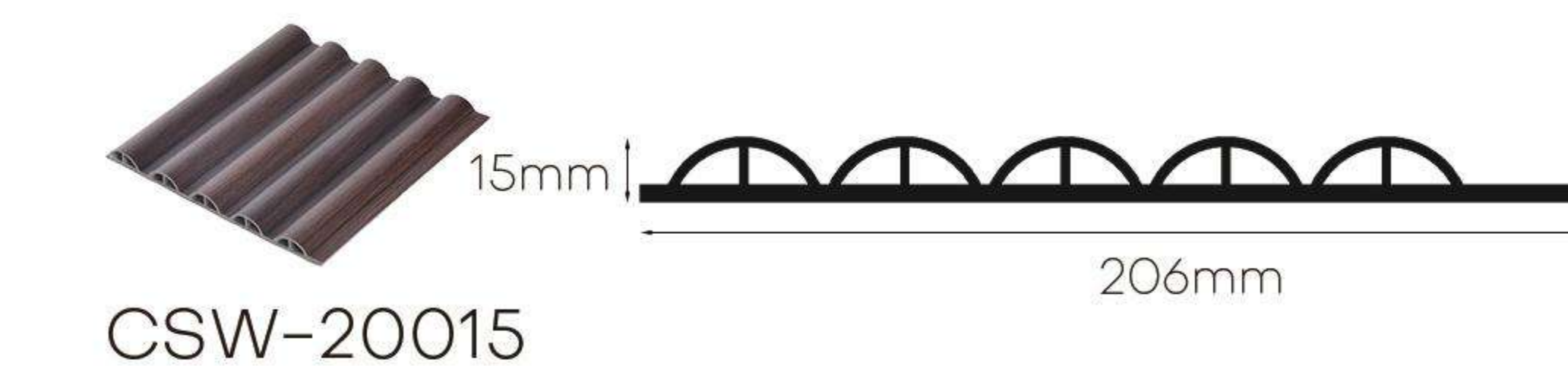
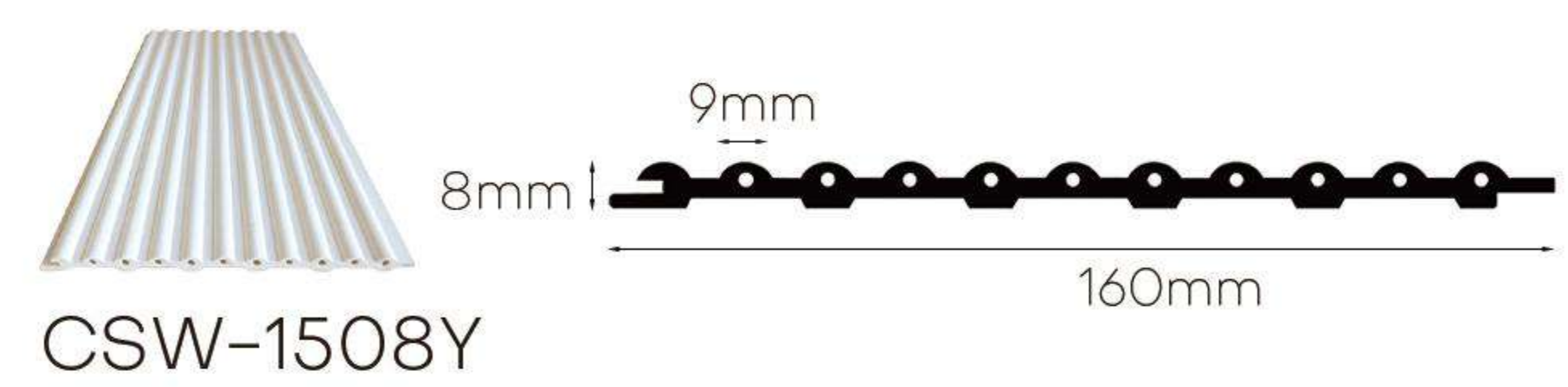
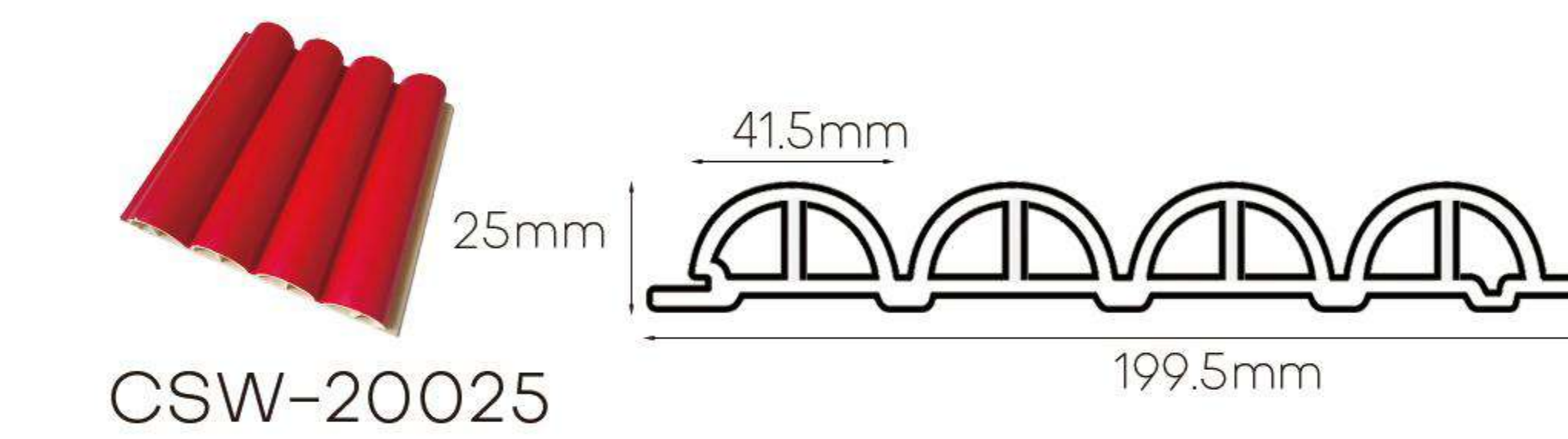
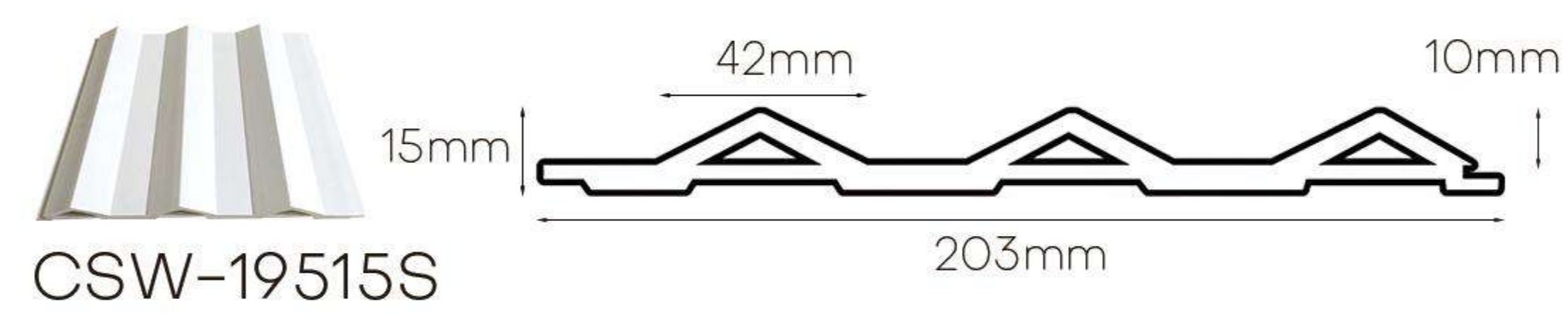
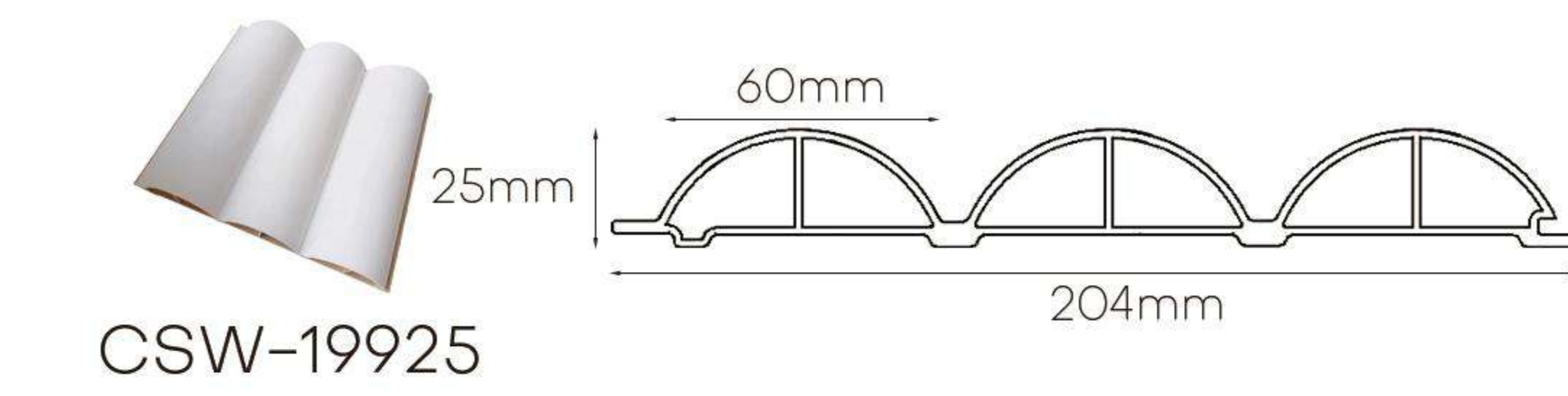
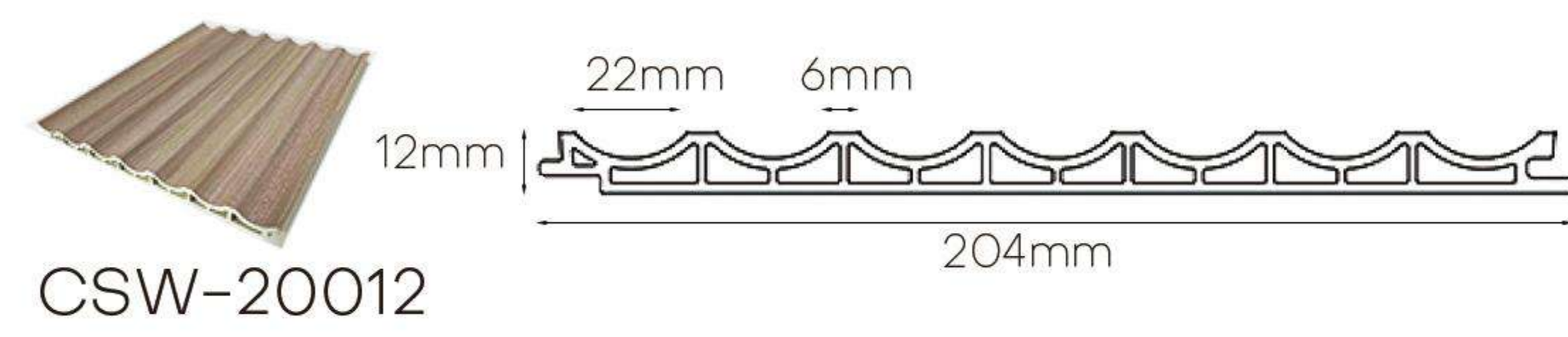
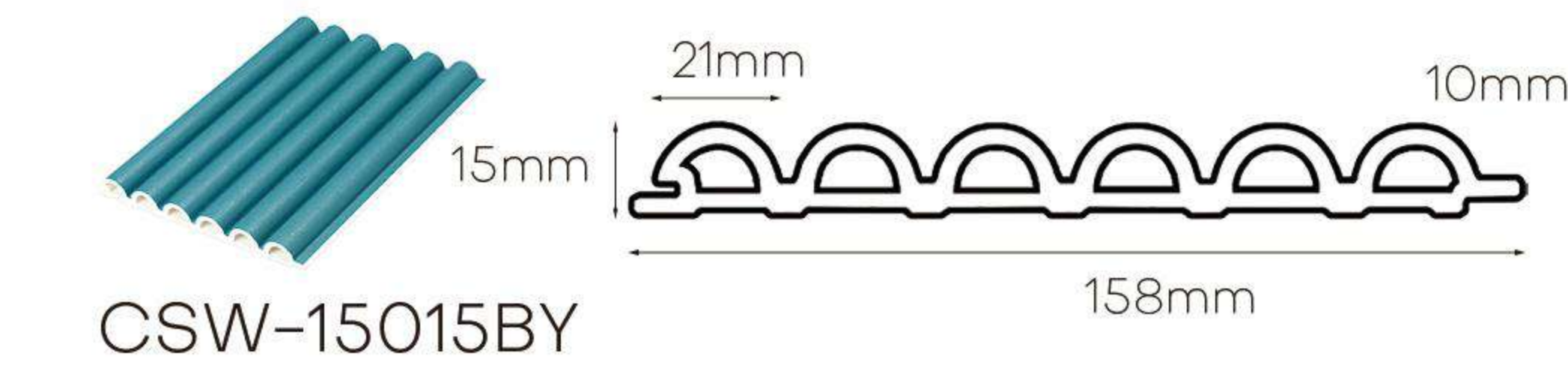
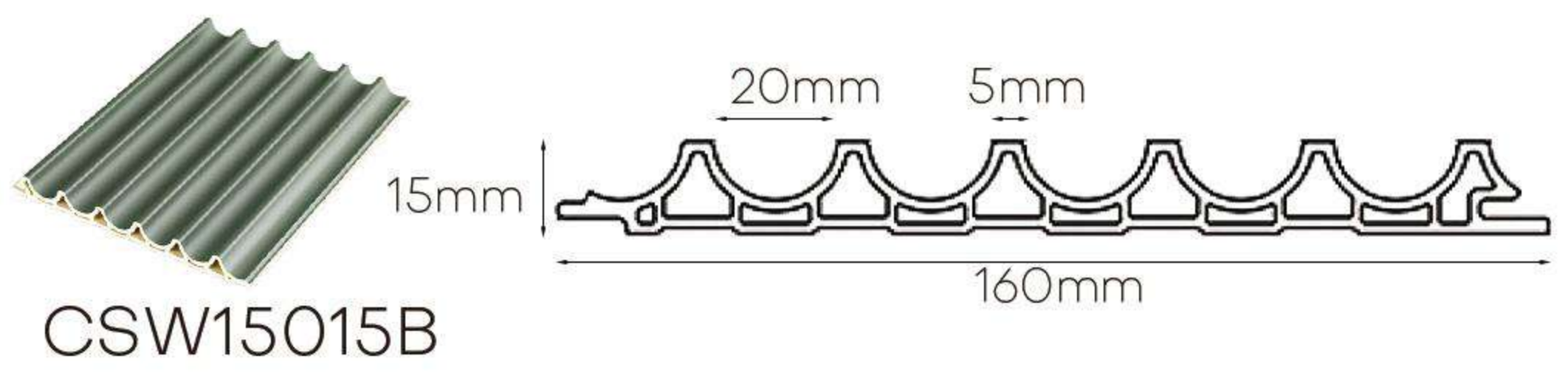
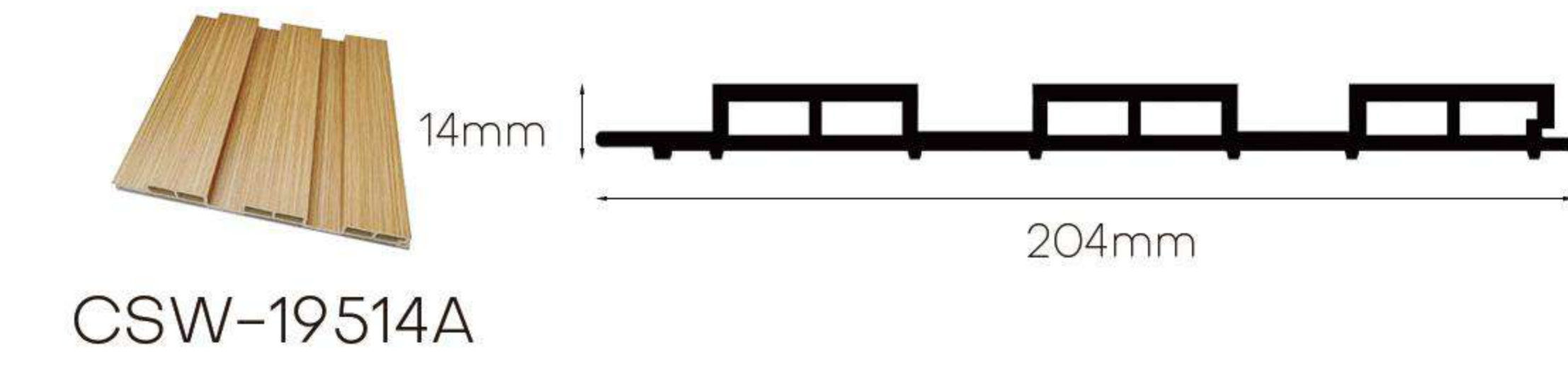
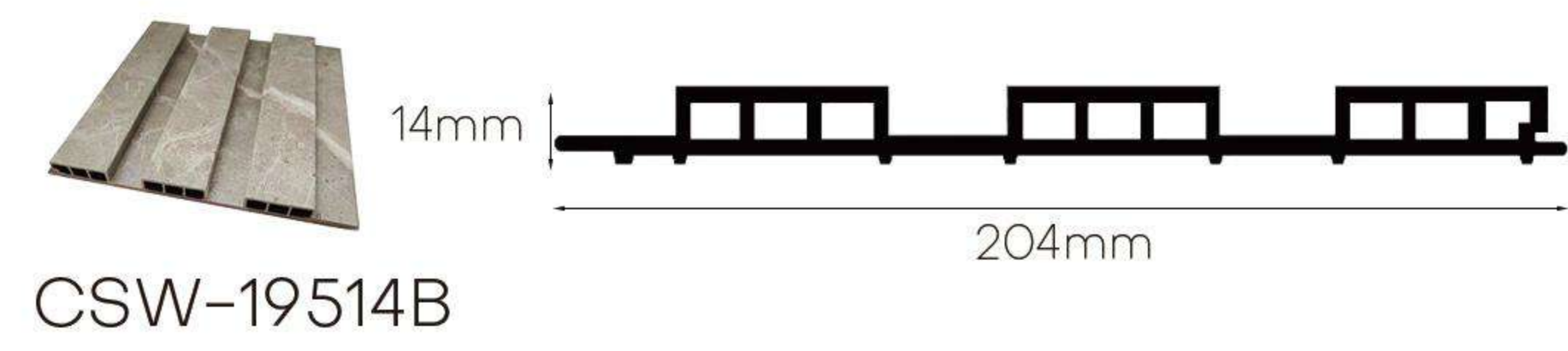
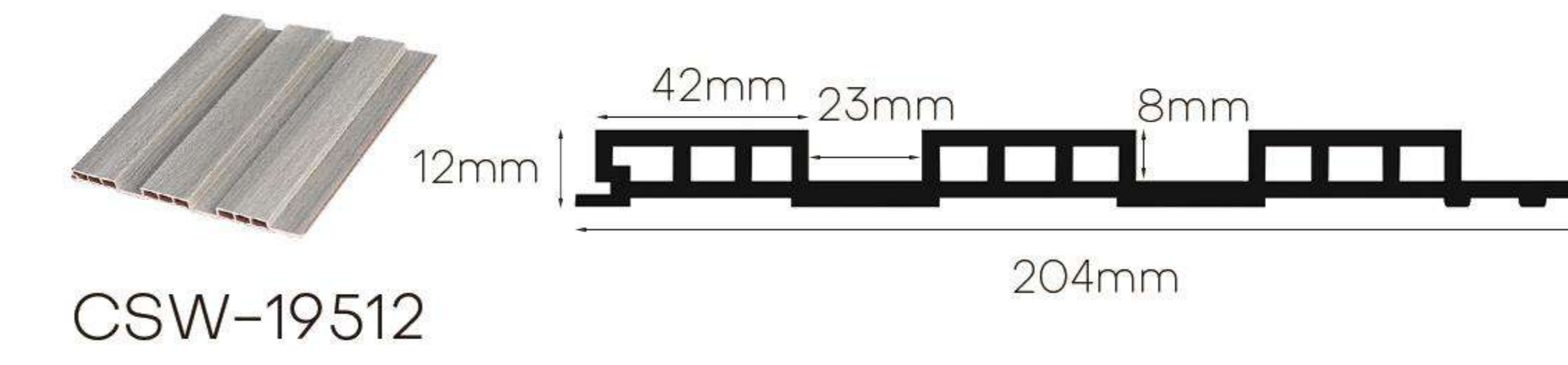
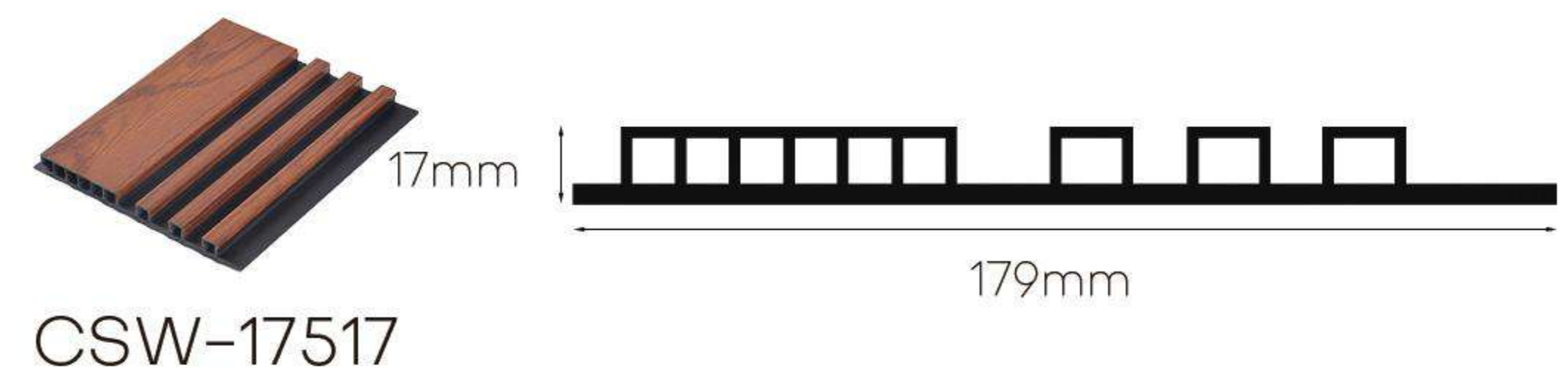
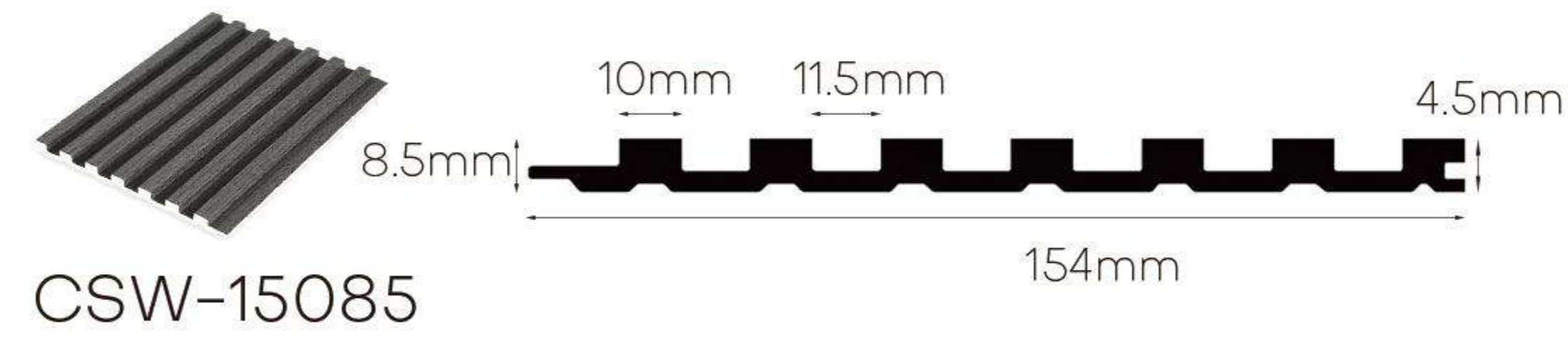
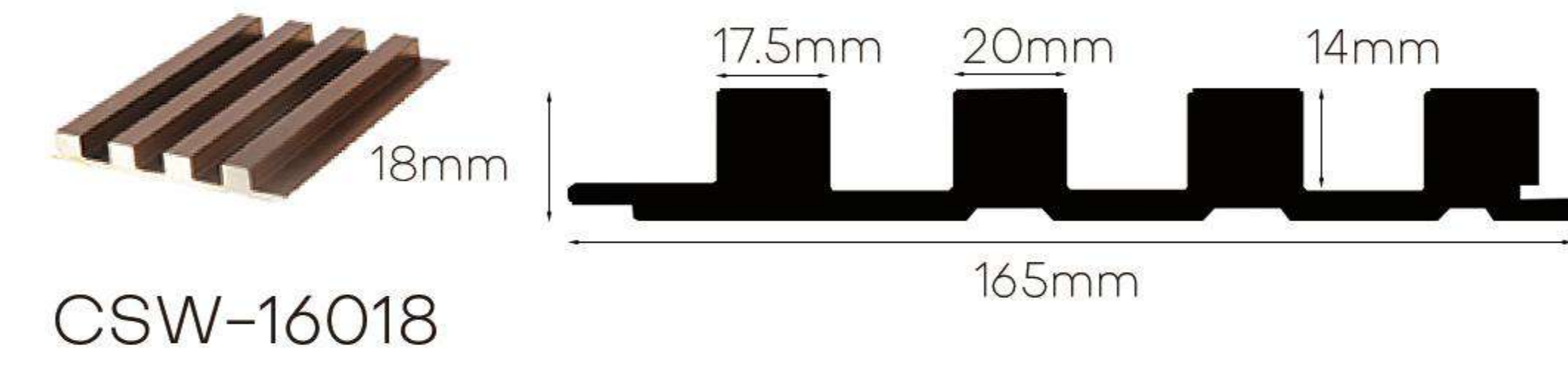
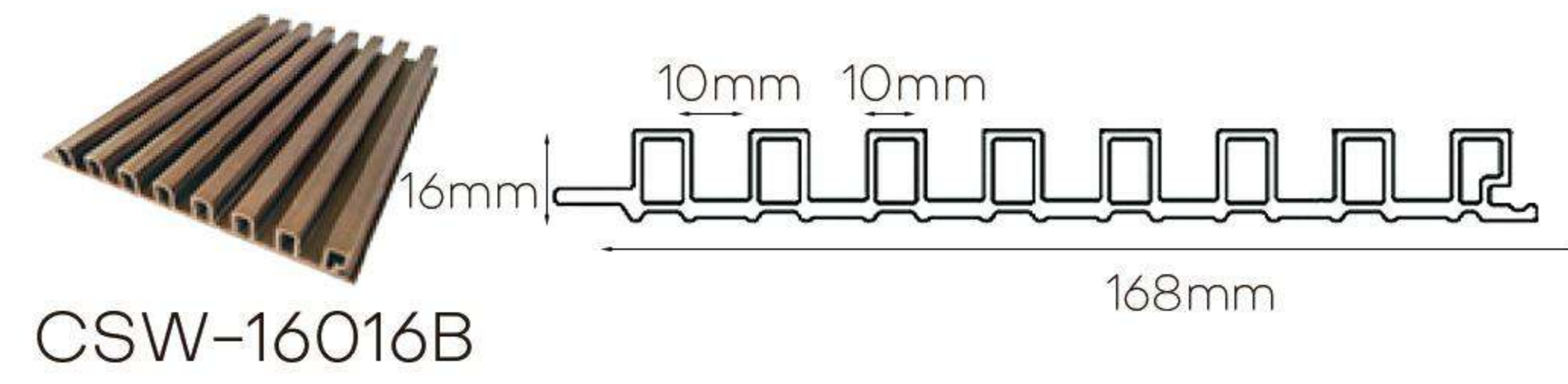
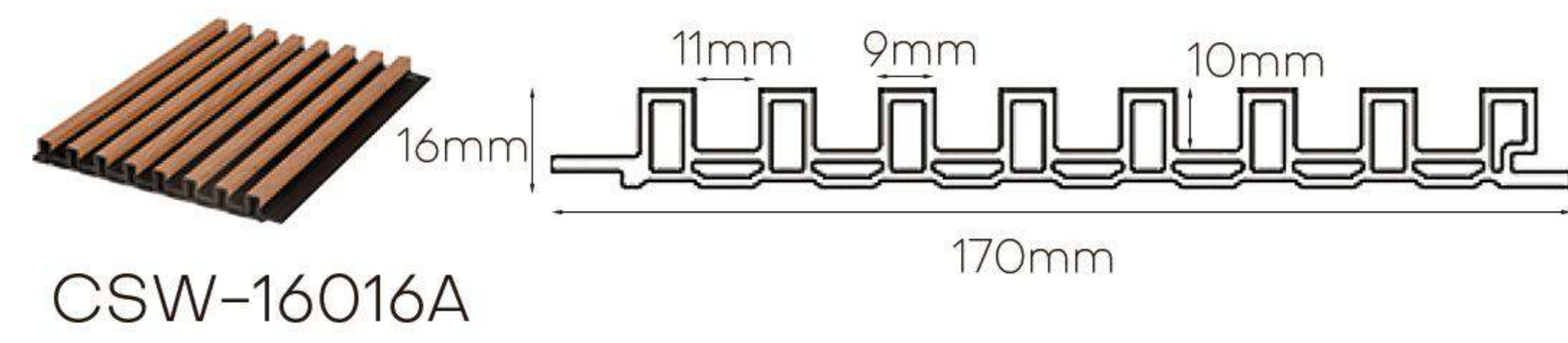
CSW-20020



CSW-18030



CSW-19528

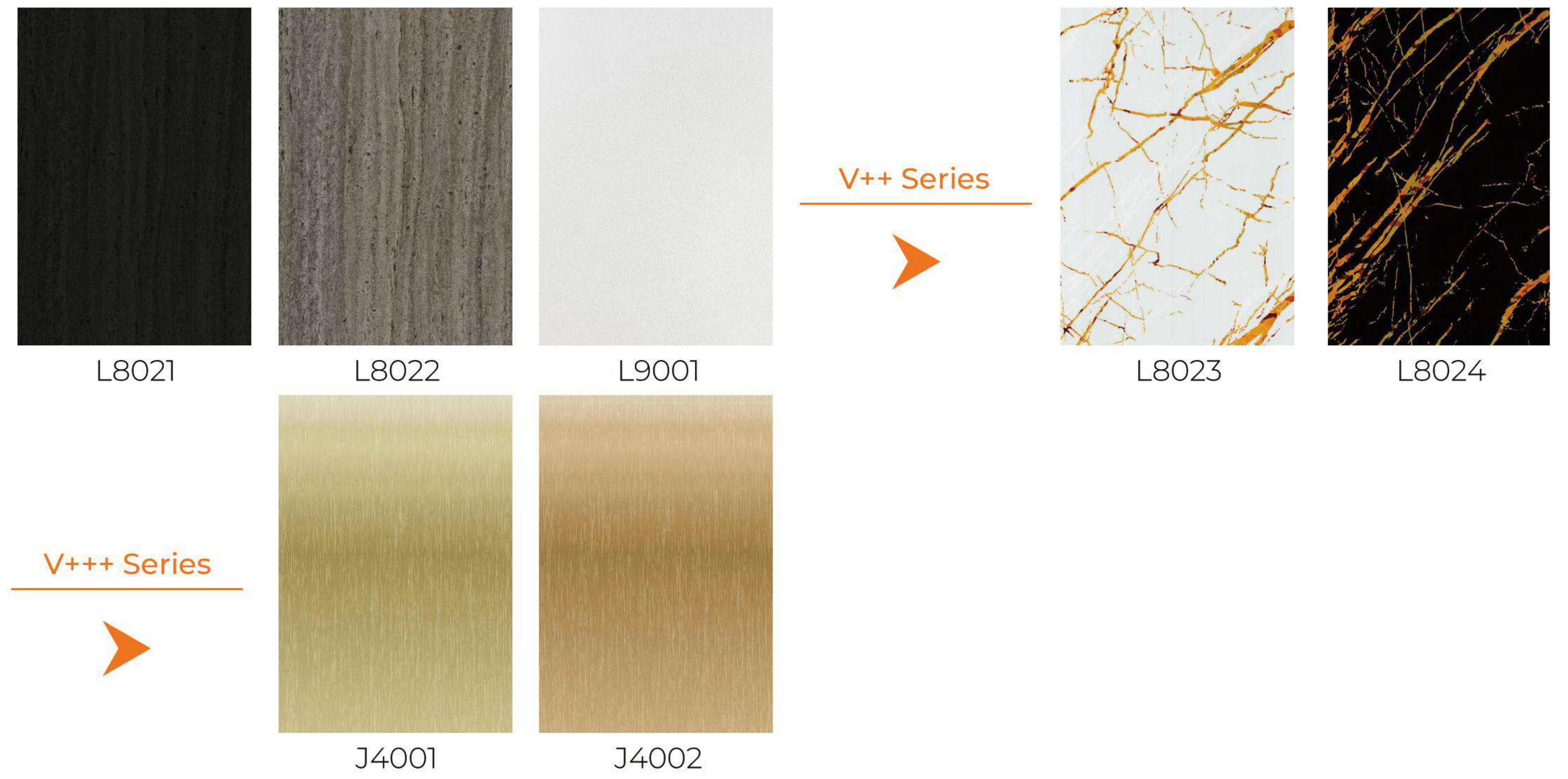


Hot Selling Colors

Regular Series



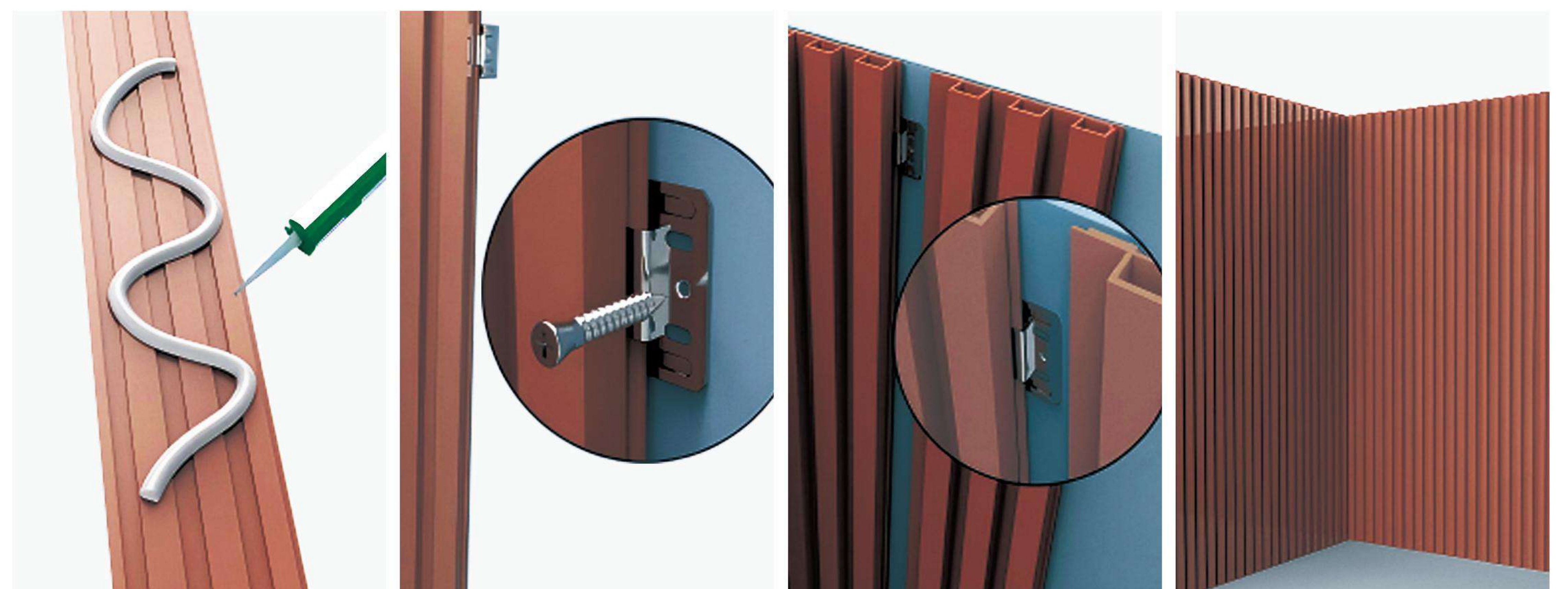
Hot Selling Colors



WPC Corner Line



Installation



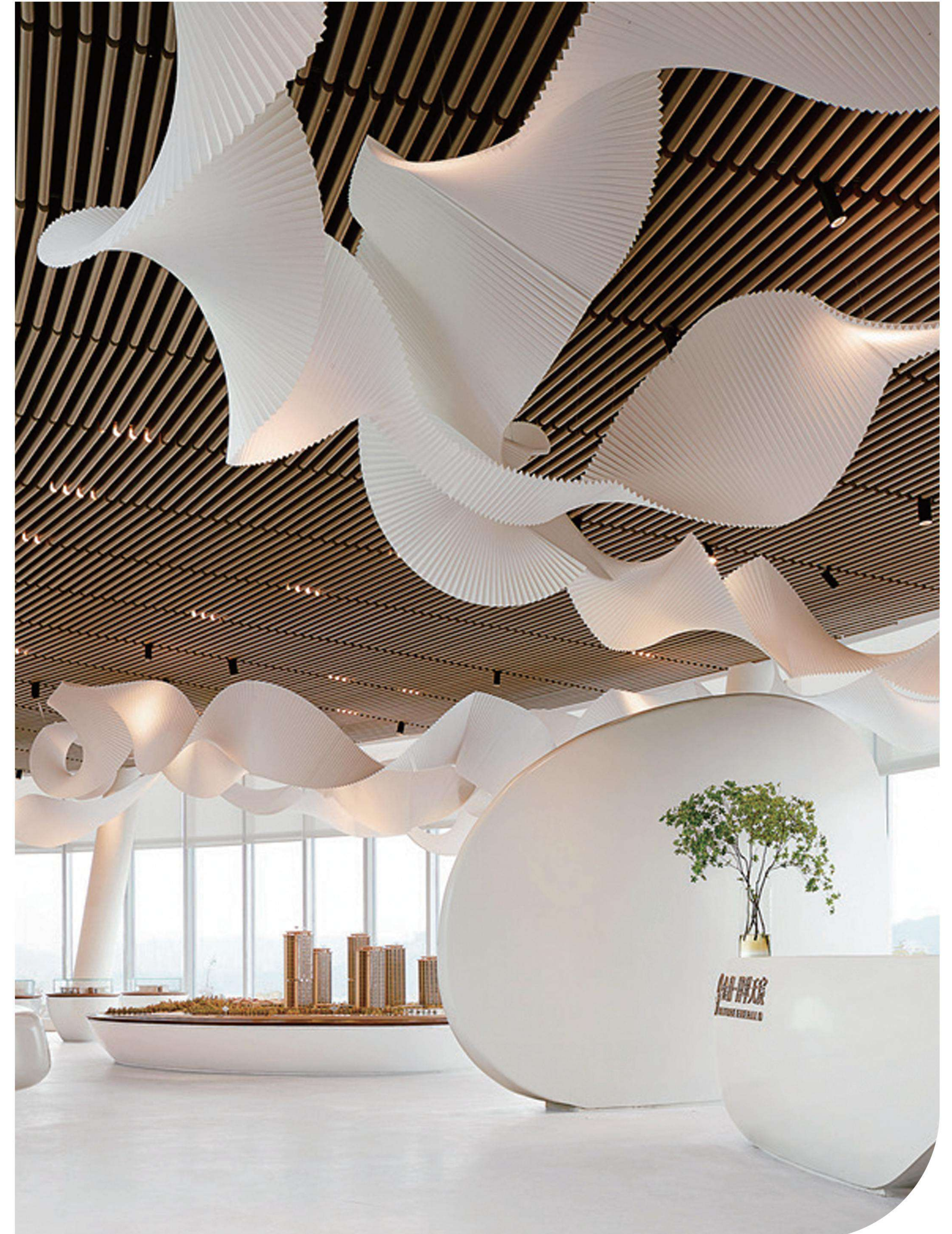
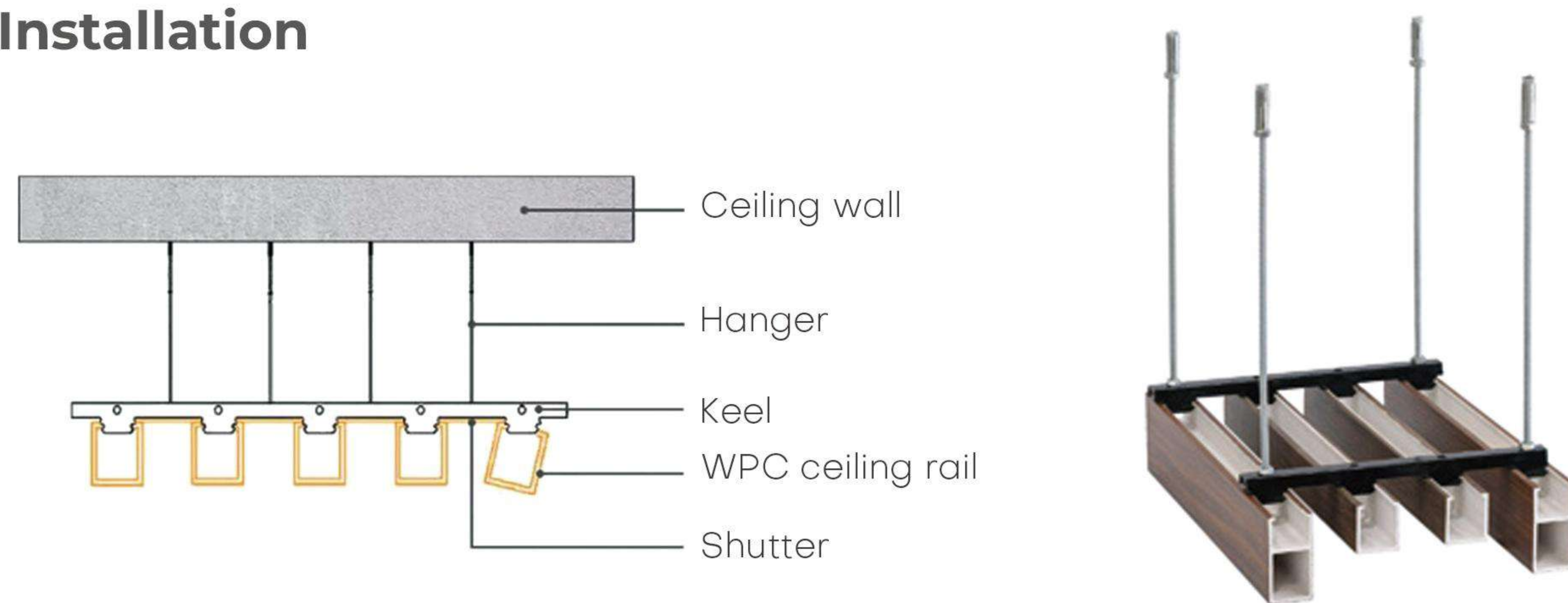
◎ **WPC CEILING**



■ **Accessories**



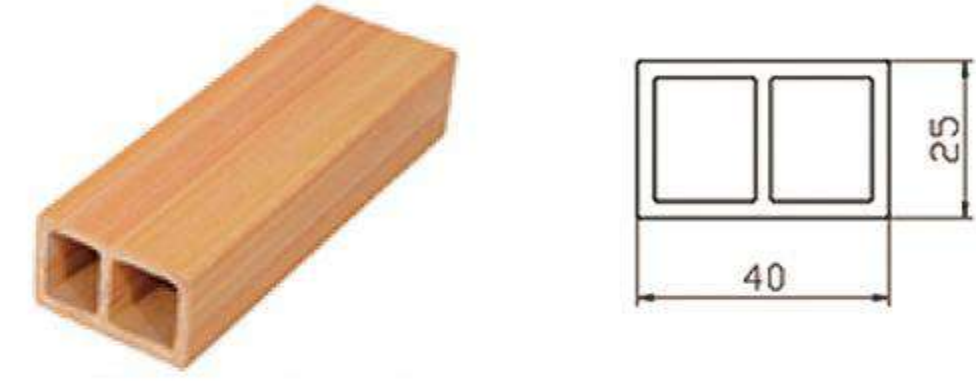
■ **Installation**



◎ **WPC TIMBER TUBE**

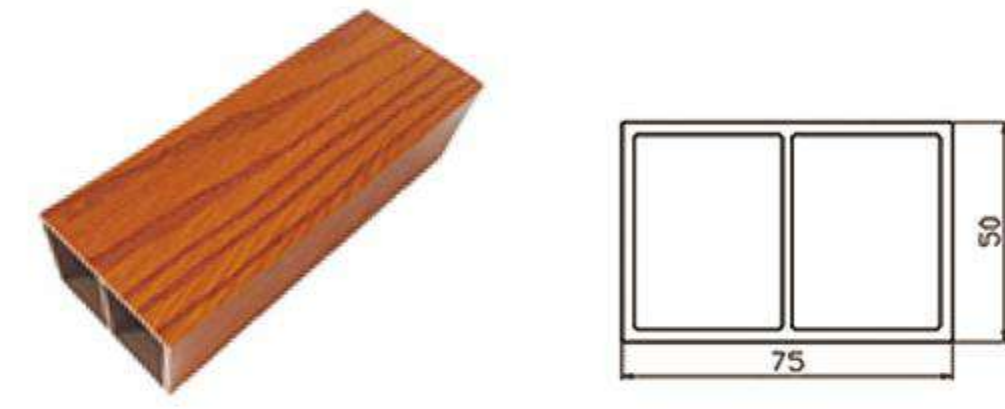
CSW4025

W 40mm
 H 25mm
 L 2900mm



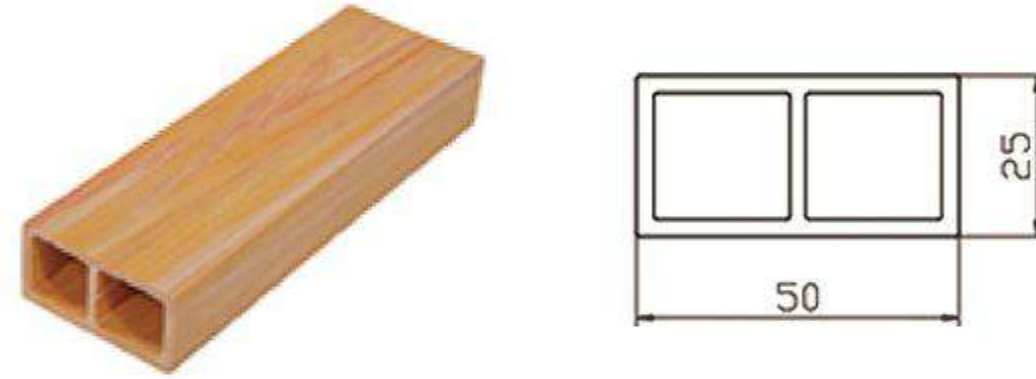
CSW7550

W 75mm
 H 50mm
 L 2900mm



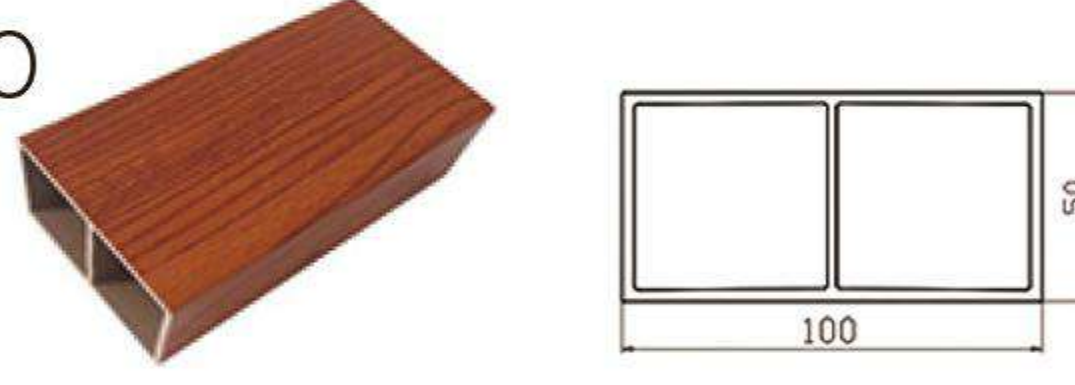
CSW5025

W 50mm
 H 25mm
 L 2900mm



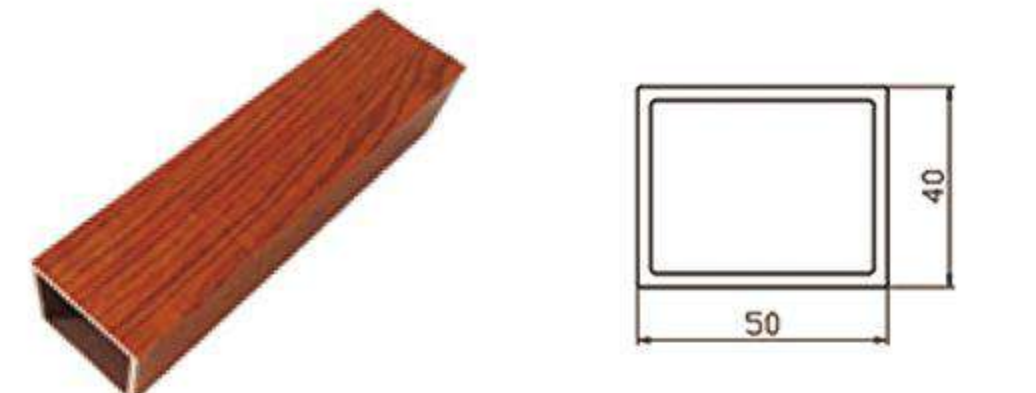
CSW10050

W 100mm
 H 50mm
 L 2900mm



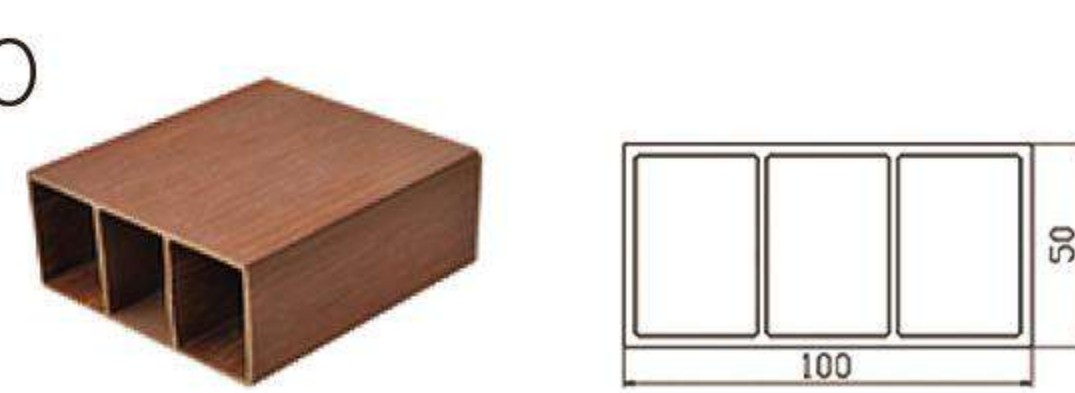
CSW5040

W 50mm
 H 40mm
 L 2900mm



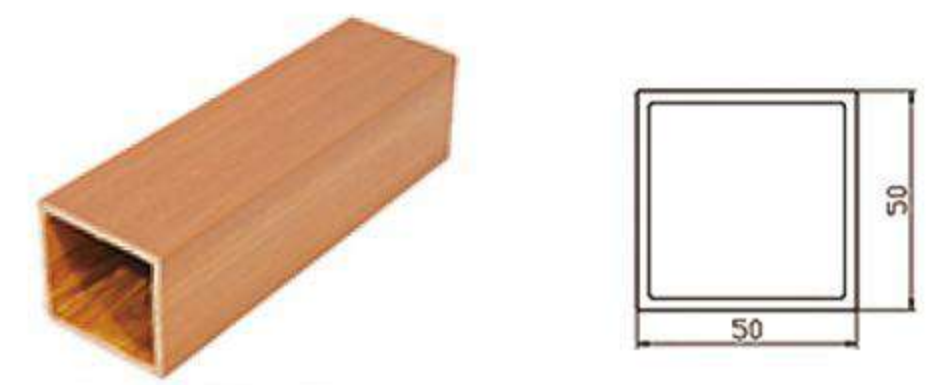
CSW10050

W 100mm
 H 50mm
 L 2900mm



CSW5050

W 50mm
 H 50mm
 L 2900mm



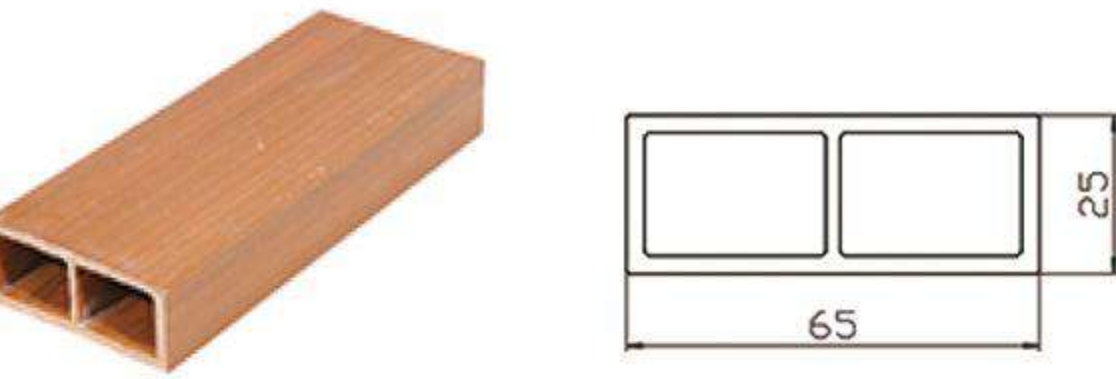
CSW100100

W 100mm
 H 100mm
 L 2900mm



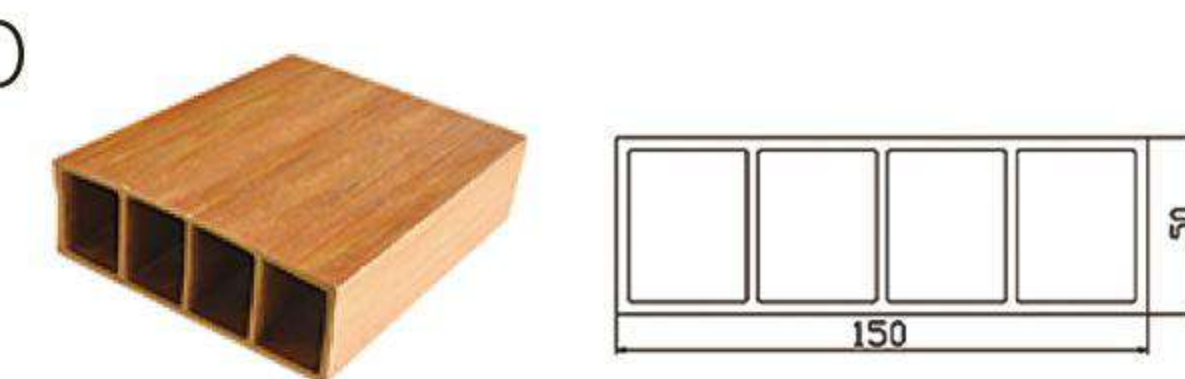
CSW6525

W 65mm
 H 25mm
 L 2900mm

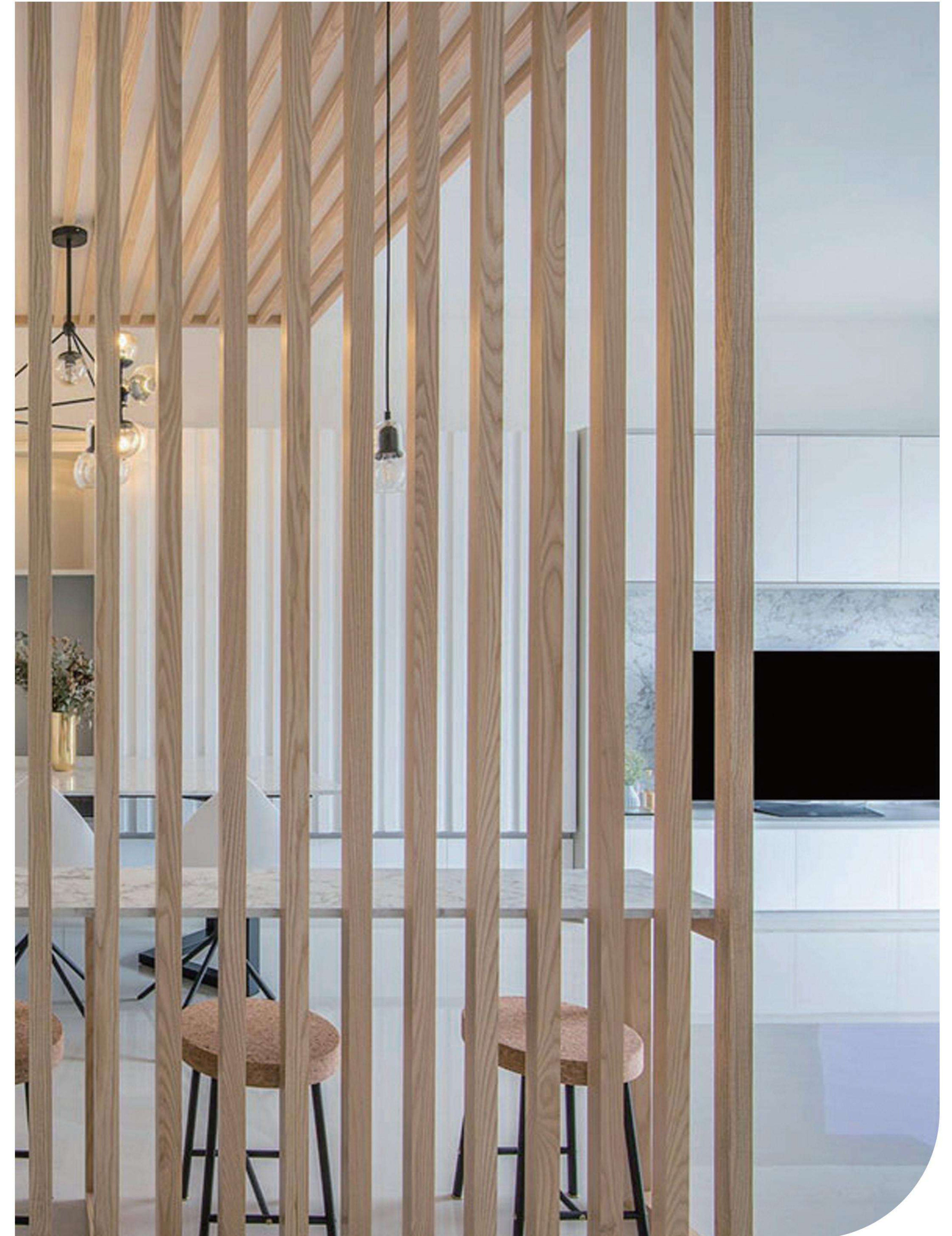


CSW15050

W 150mm
 H 50mm
 L 2900mm



■ **Accessories**



P

PS WALL PANEL

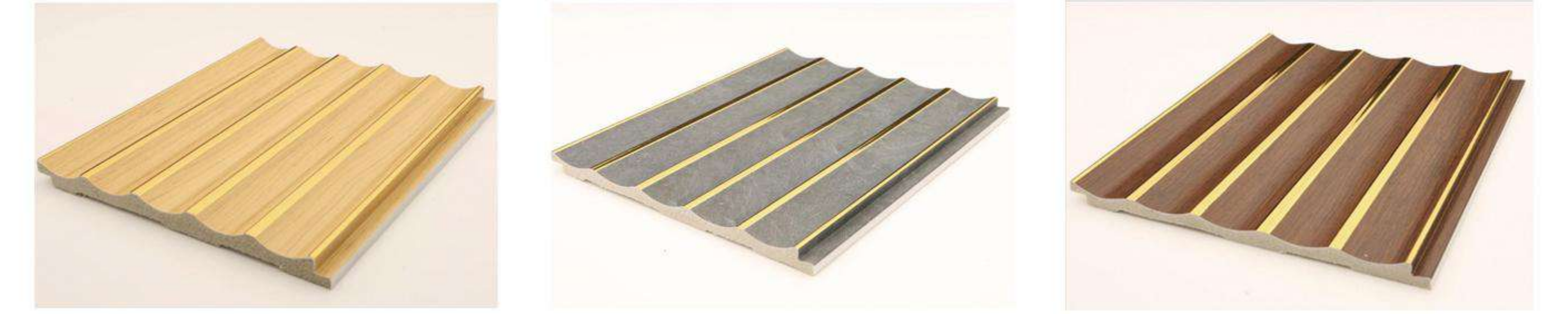
Made from polystyrene (PS) and have low density, making them lightweight.

2026

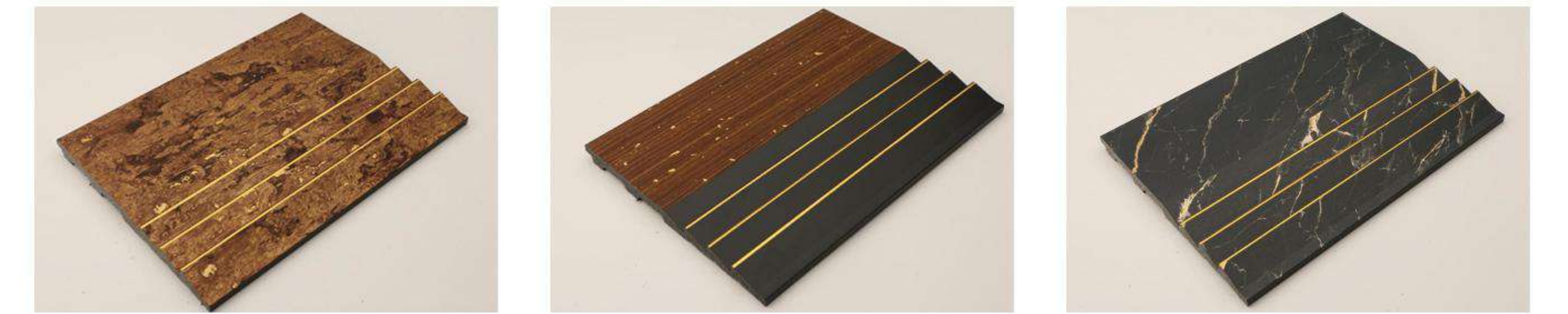


PS WALL PANEL

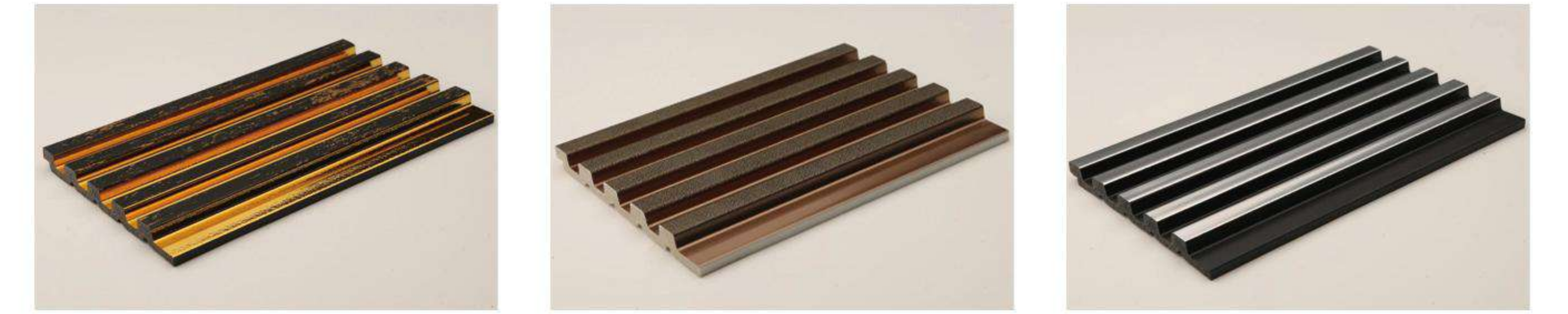
D10
W 151mm
H 11.9mm
L 2900mm



D09
W 151mm
H 12mm
L 2900mm



D03
W 120mm
H 12mm
L 2900mm



D06
W 122mm
H 11.9mm
L 2900mm



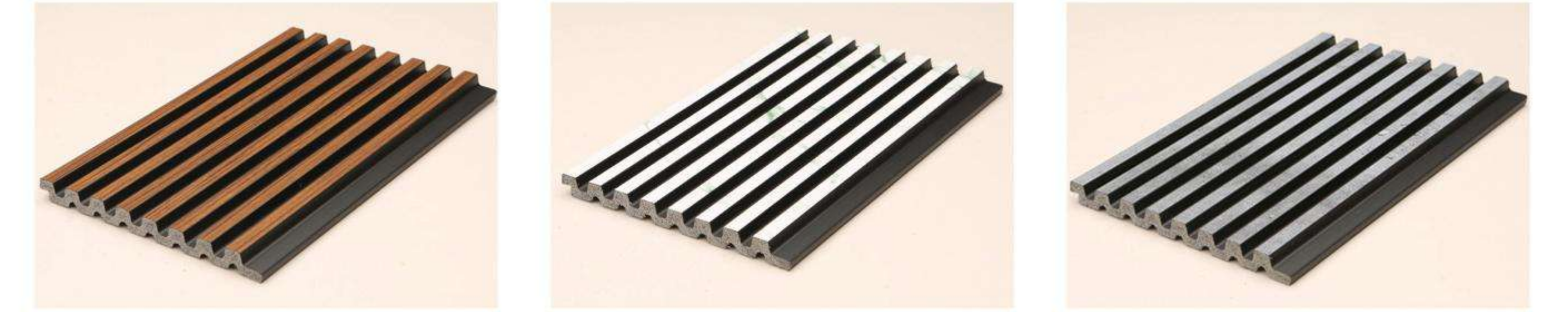
D30
W 310mm
H 7mm
L 2900mm



D33
W 160mm
H 14mm
L 2900mm



D42
W 120mm
H 11mm
L 2900mm



D60
W 155mm
H 12mm
L 2900mm



PS WALL PANEL

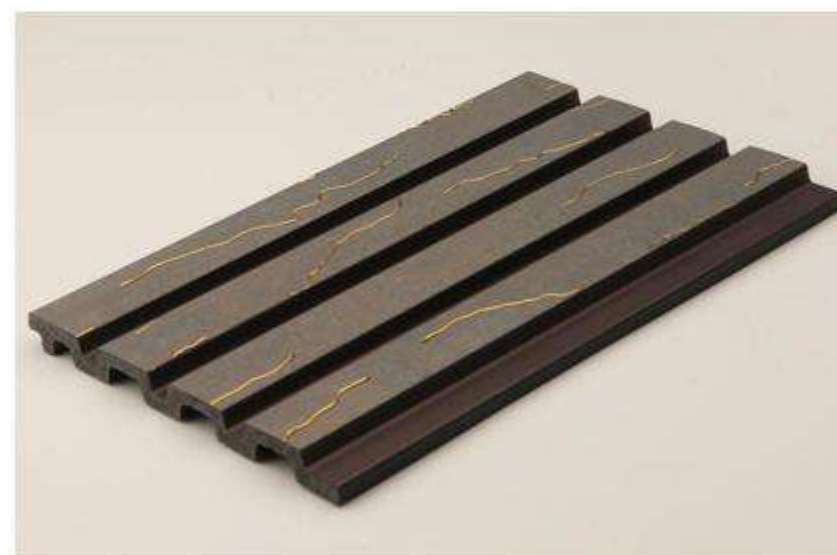
D61

W 120mm
H 10.46mm
L 2900mm



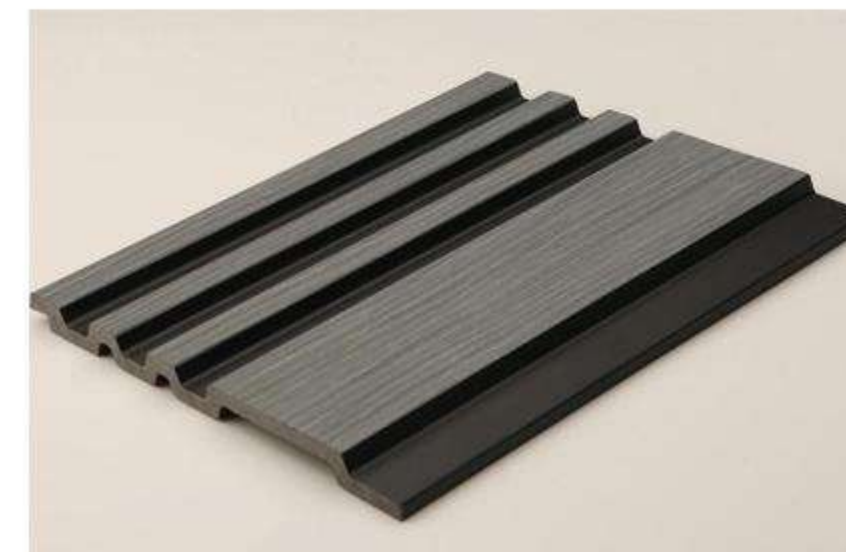
D20

W 125mm
H 11mm
L 2900mm



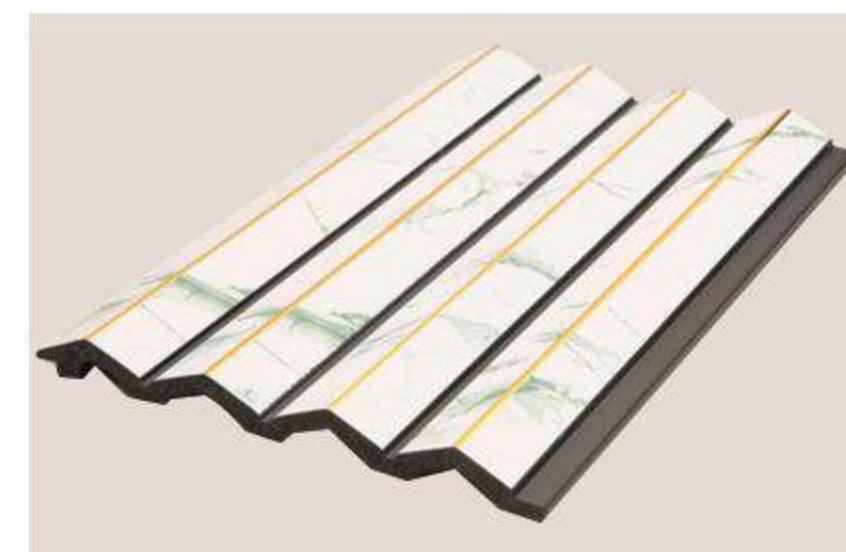
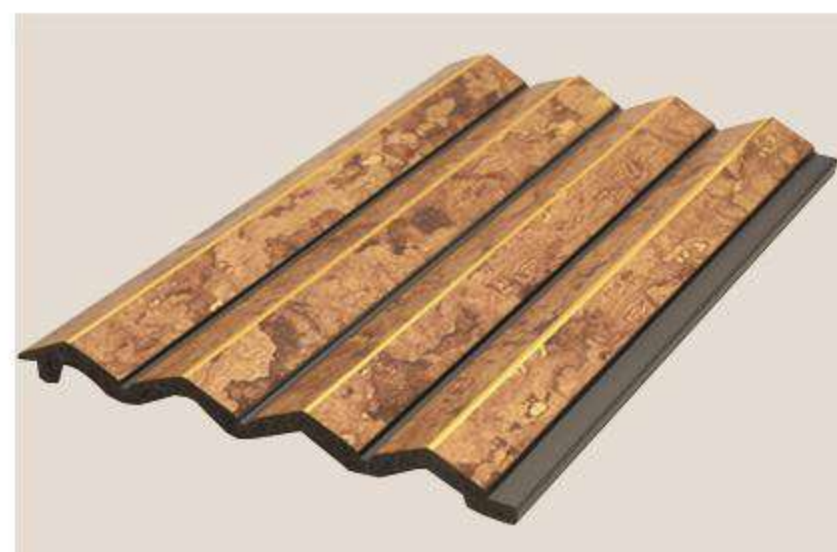
D26

W 160mm
H 12mm
L 2900mm



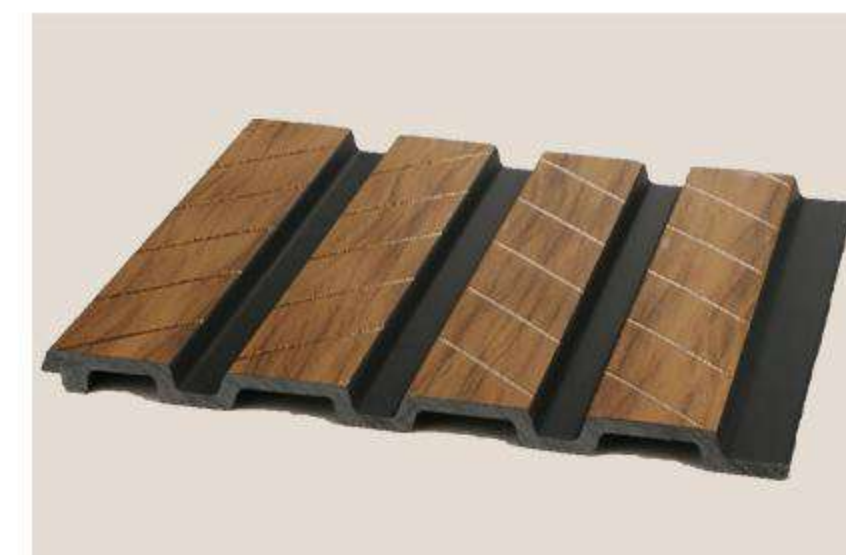
D41

W 120mm
H 12mm
L 2900mm



D46

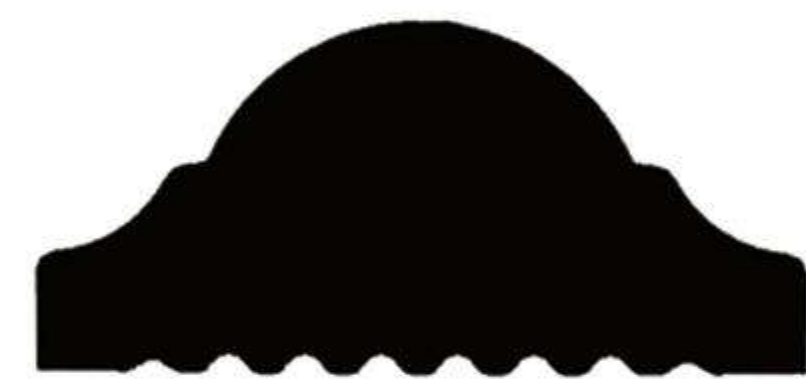
W 200mm
H 12mm
L 2900mm



PS Moulding

J01

W 40mm
H 20mm
L 2900mm



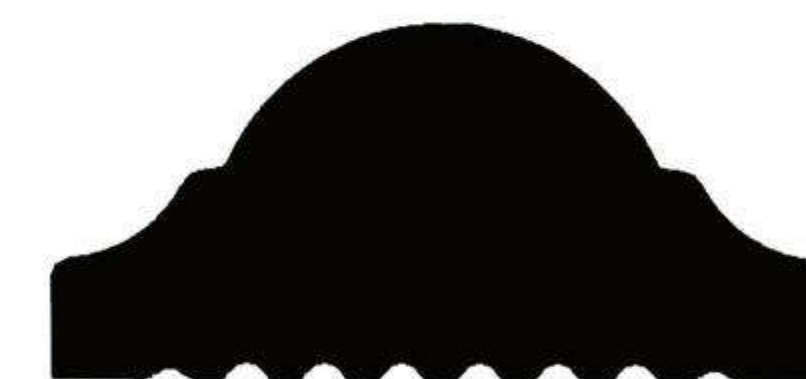
J02

W 40mm
H 20mm
L 2900mm



J05

W 25mm
H 12.5mm
L 2900mm



J07

W 20mm
H 10mm
L 2900mm



J08

W 80mm
H 12mm
L 2900mm



J09

W 100mm
H 12mm
L 2900mm



J10

W 120mm
H 15mm
L 2900mm



J14

W 150mm
H 15mm
L 2900mm



J18

W 70mm
H 17mm
L 2900mm



J28

W 100mm
H 10mm
L 2900mm



J35

W 70mm
H 40mm
L 2900mm

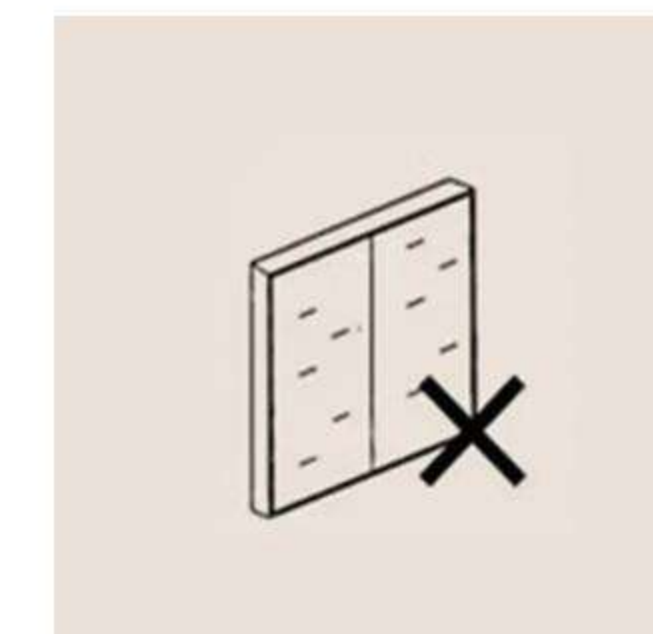


J36

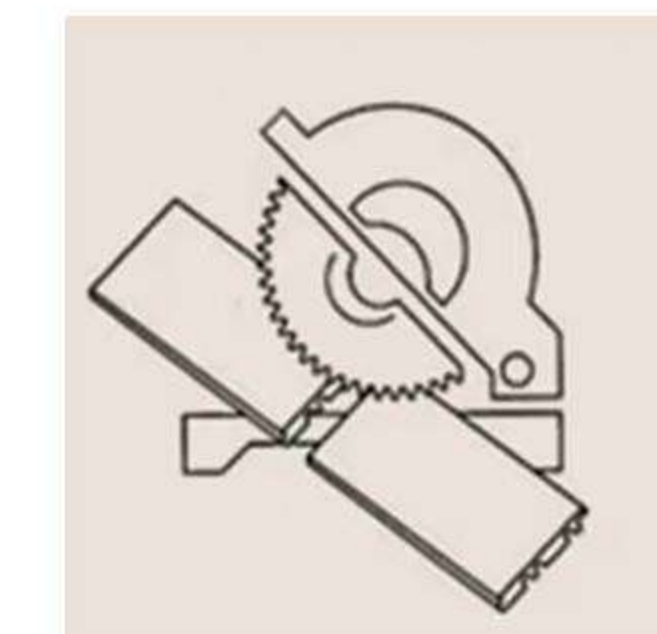
W 60mm
H 54.1mm
L 2900mm



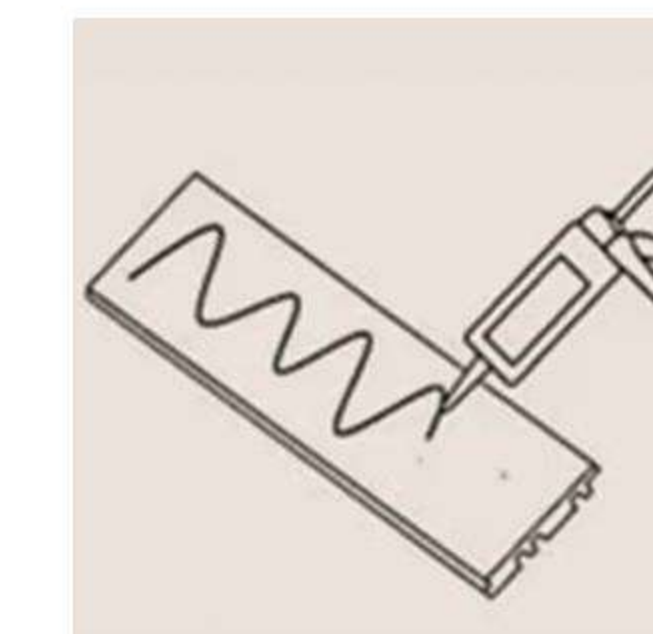
Installation



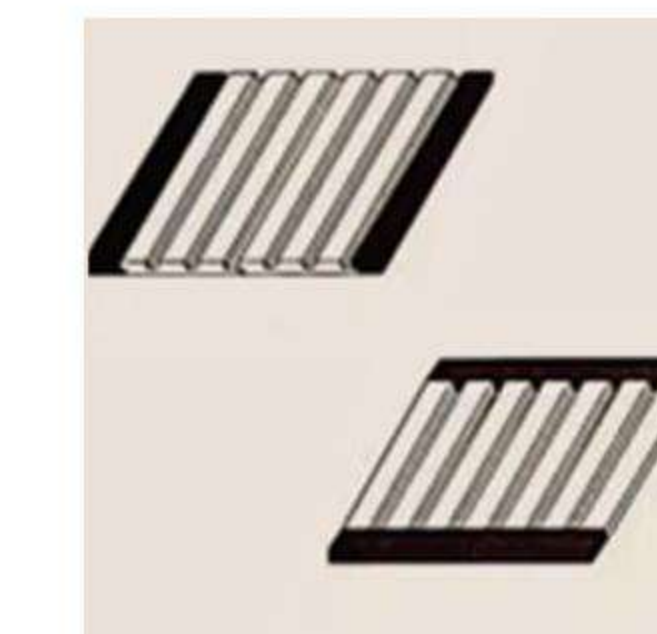
1. Clean the wall surface thoroughly and ensure it is flat.



2. Measure and cut the panels to fit.



3. Apply nail-free glue to the back.



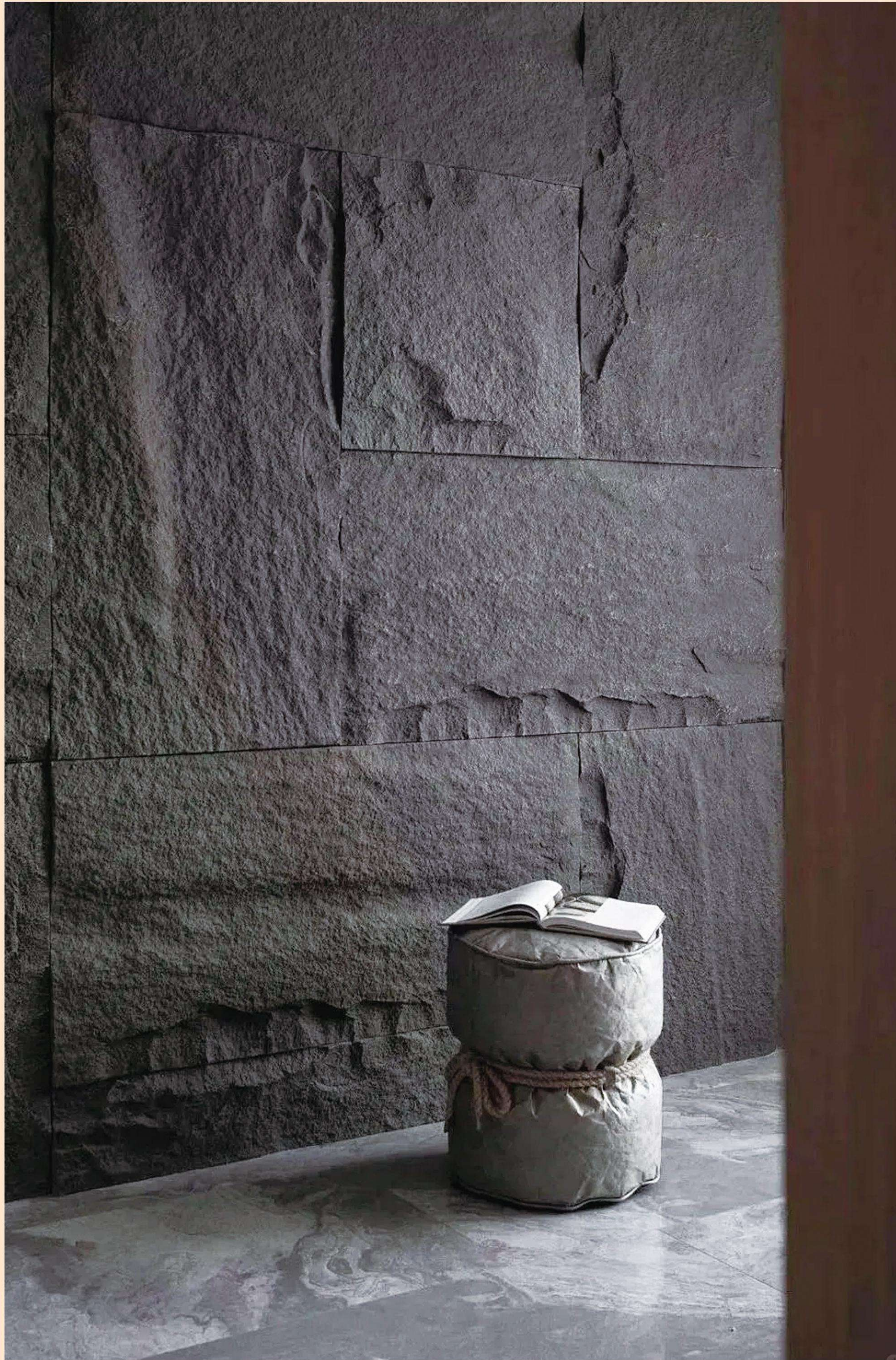
4. Complete the installation.



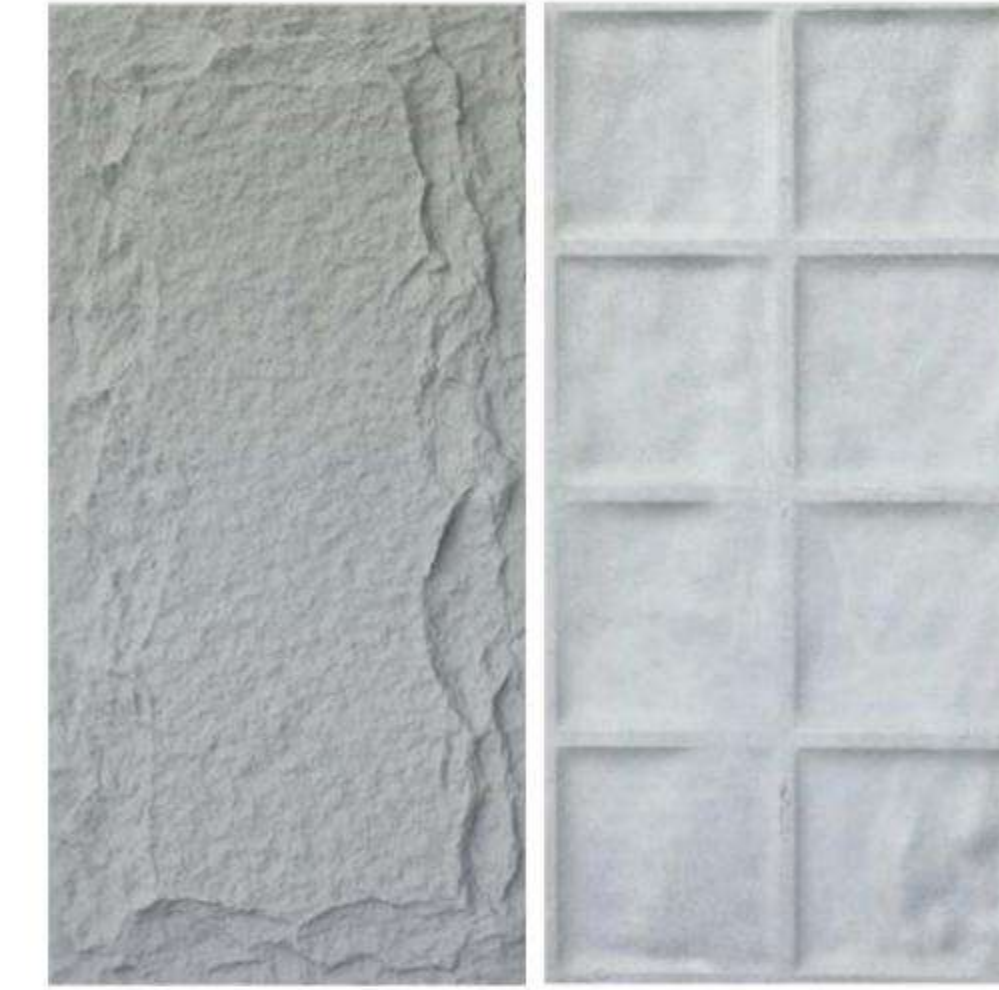
P PU STONE

Artificial stone that is easy to transport and install.

2026

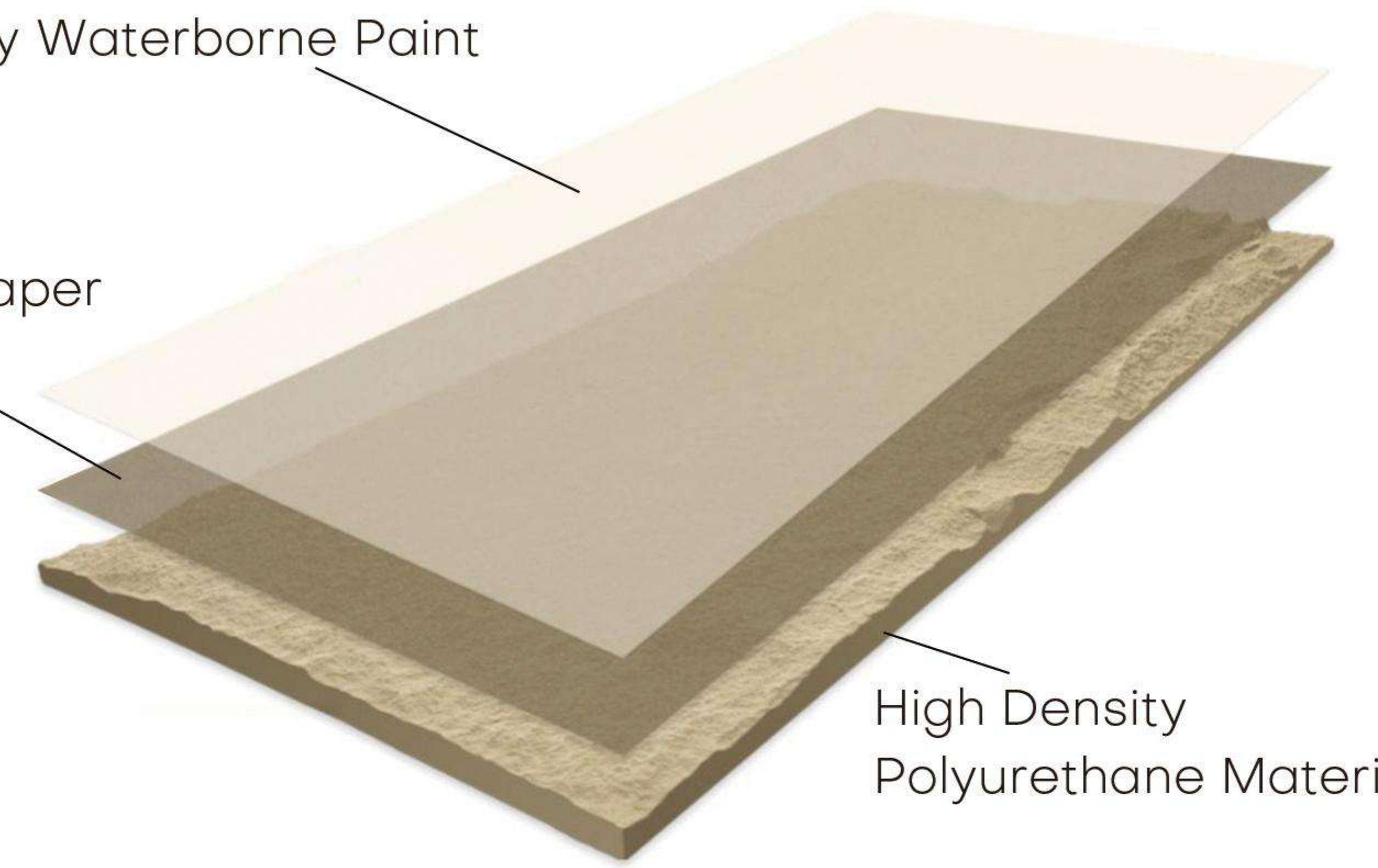


◎ PU STONE



High Quality Waterborne Paint

PVC Film Paper

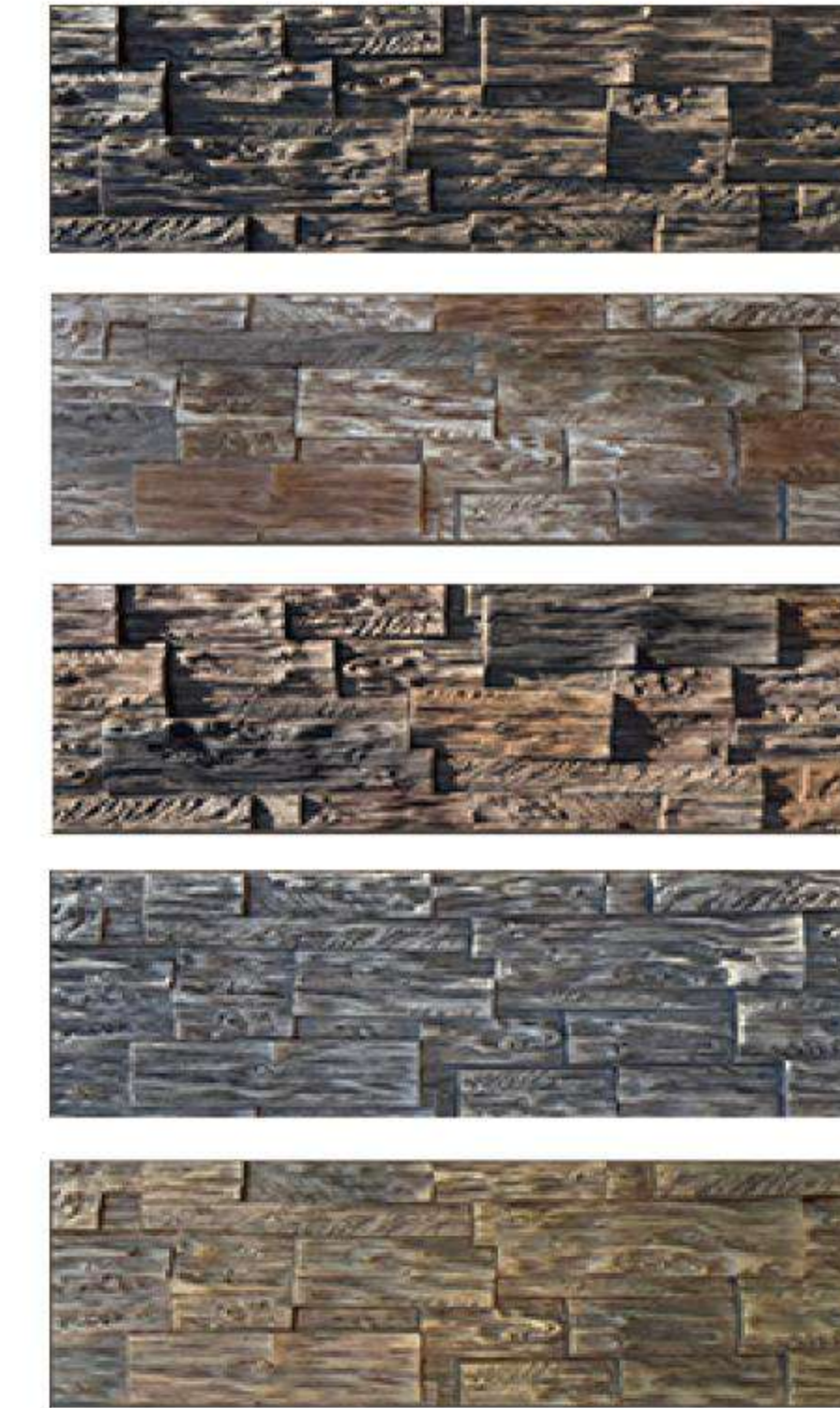


High Density Polyurethane Material

■ Styles



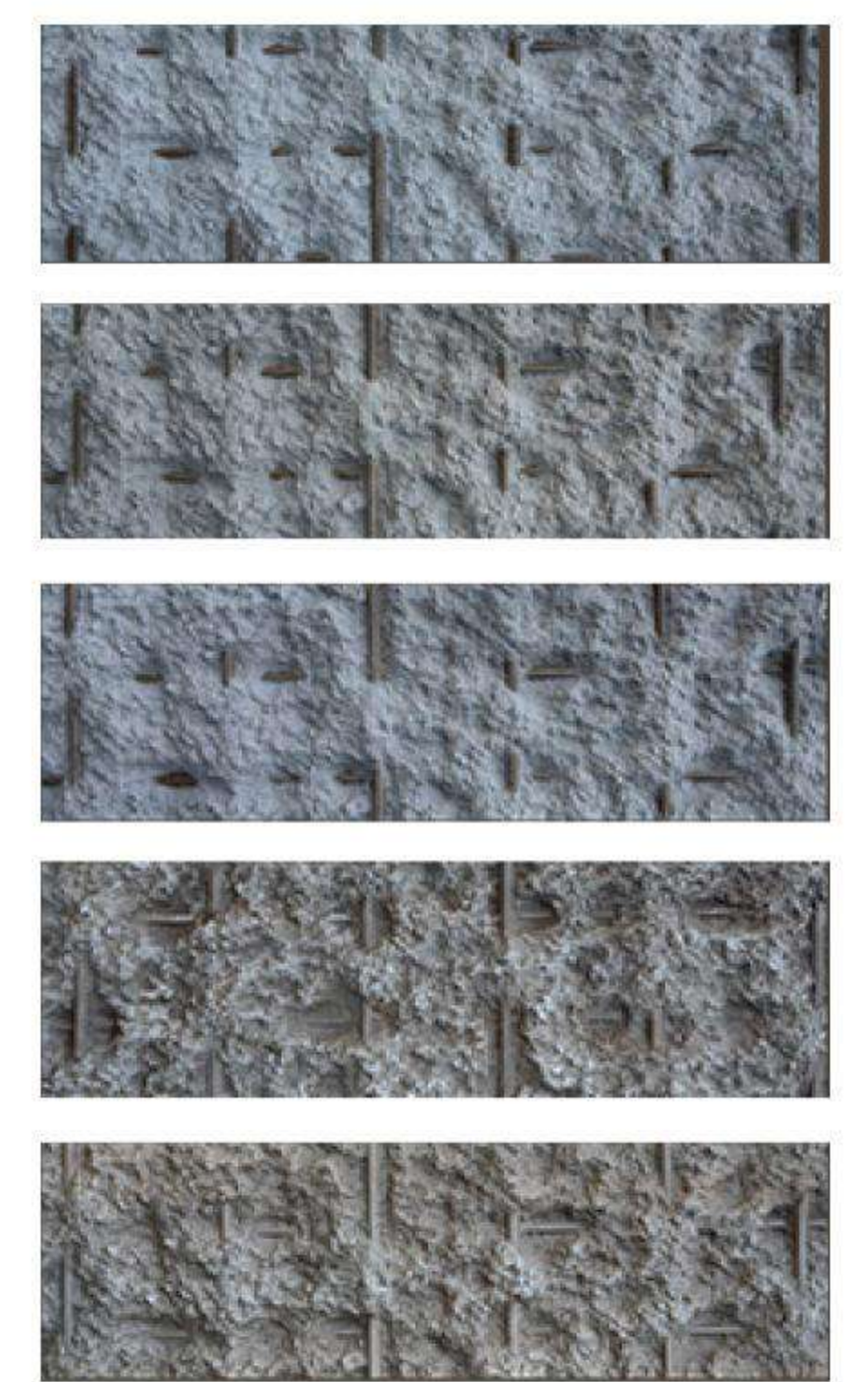
H3-15



H3-16



H3-17



H3-18



H3-19

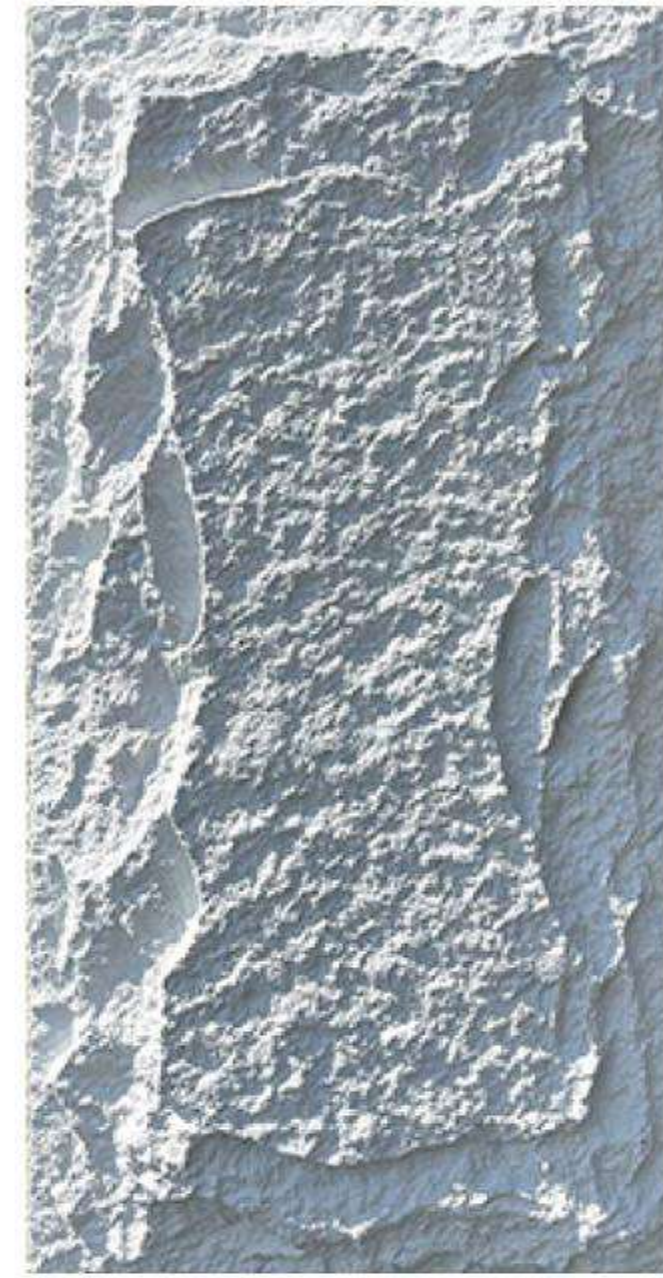


H3-21





S-2



M-5



L3-1



Y6-9



L3-1



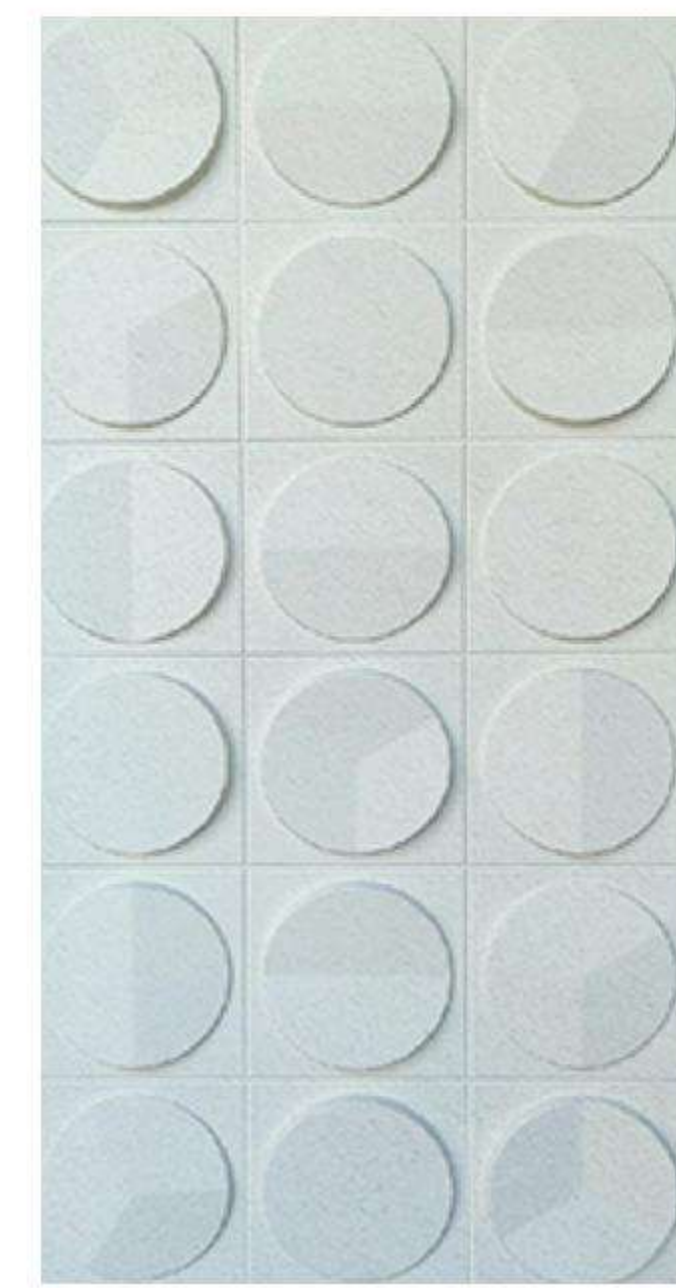
L3-5



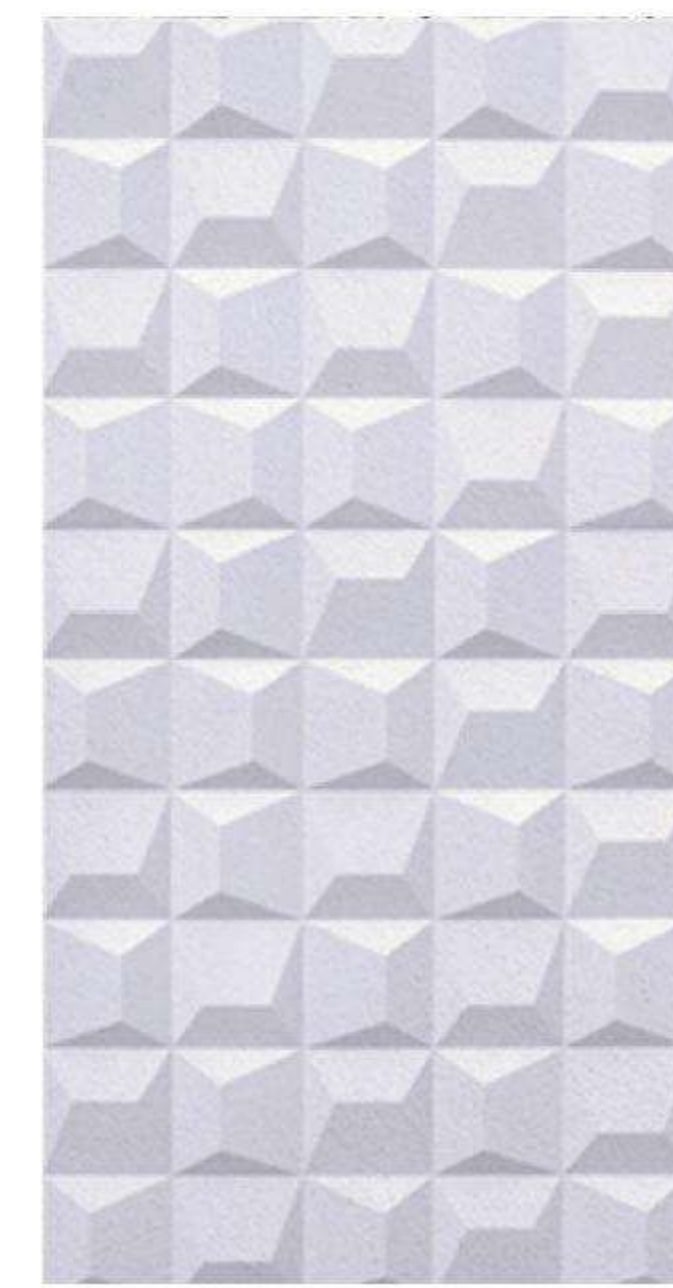
L3-7



L3-8



DS3-2



DS3-3



DS3-5



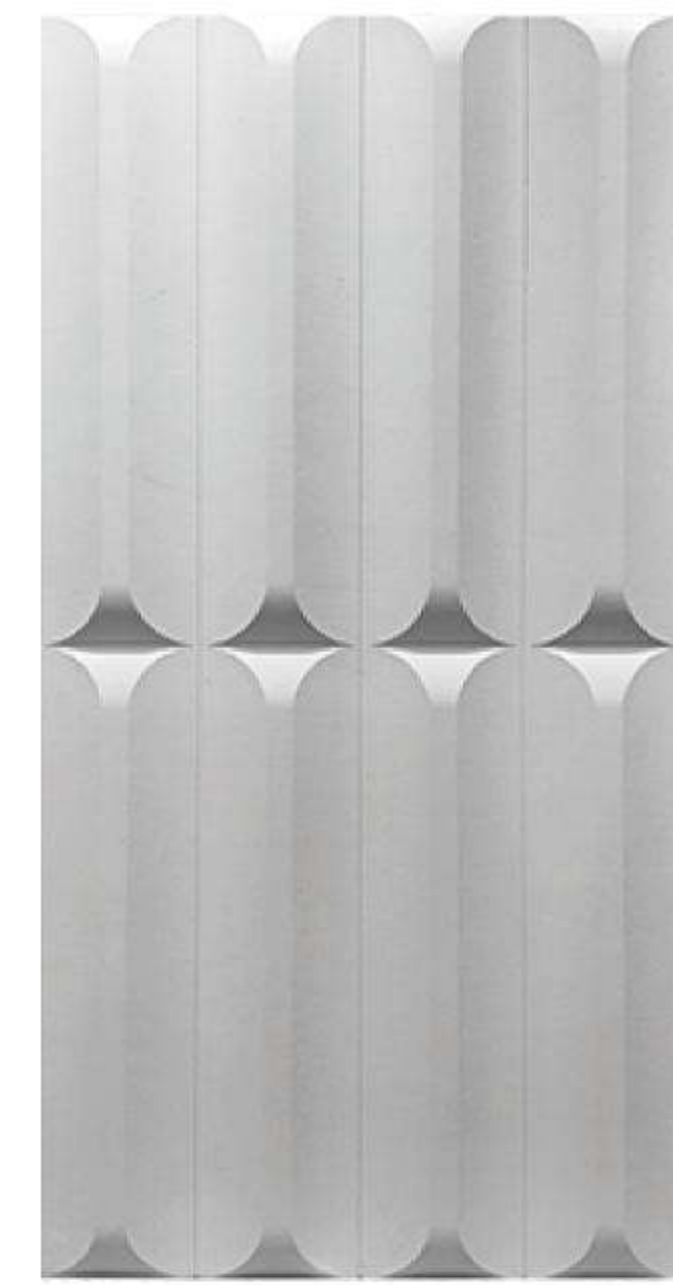
DS3-6



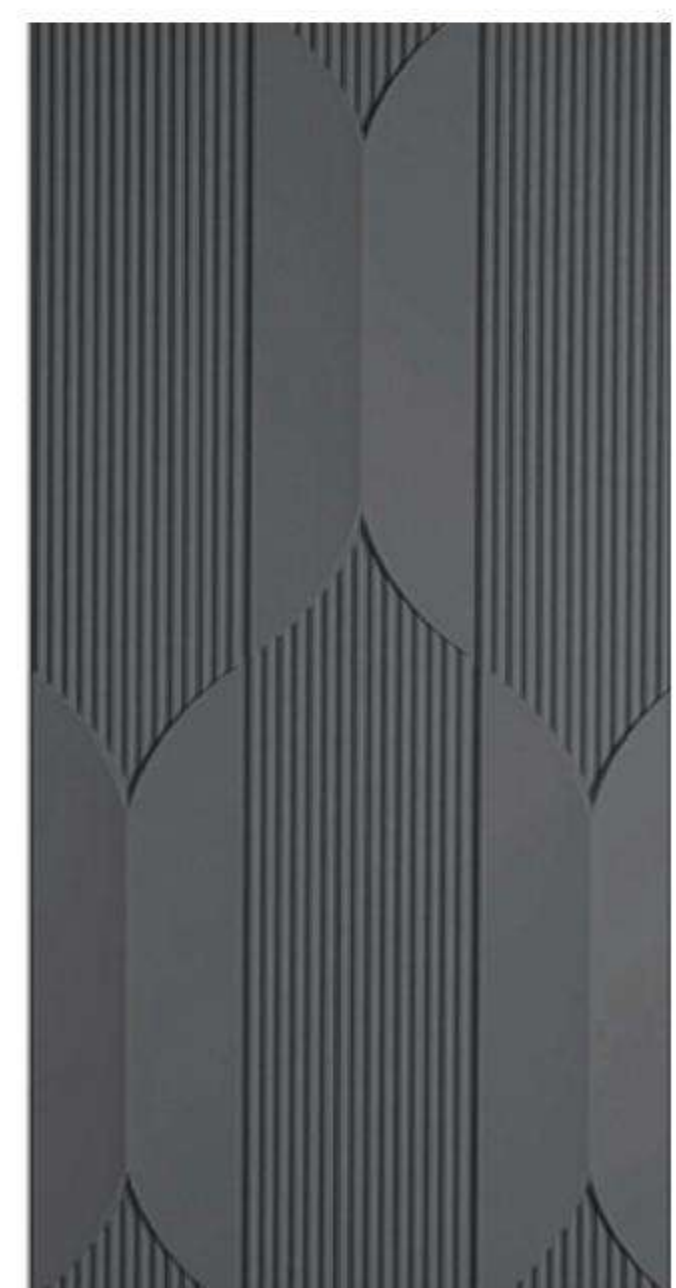
H3-3



H3-7



H3-13



H3-21



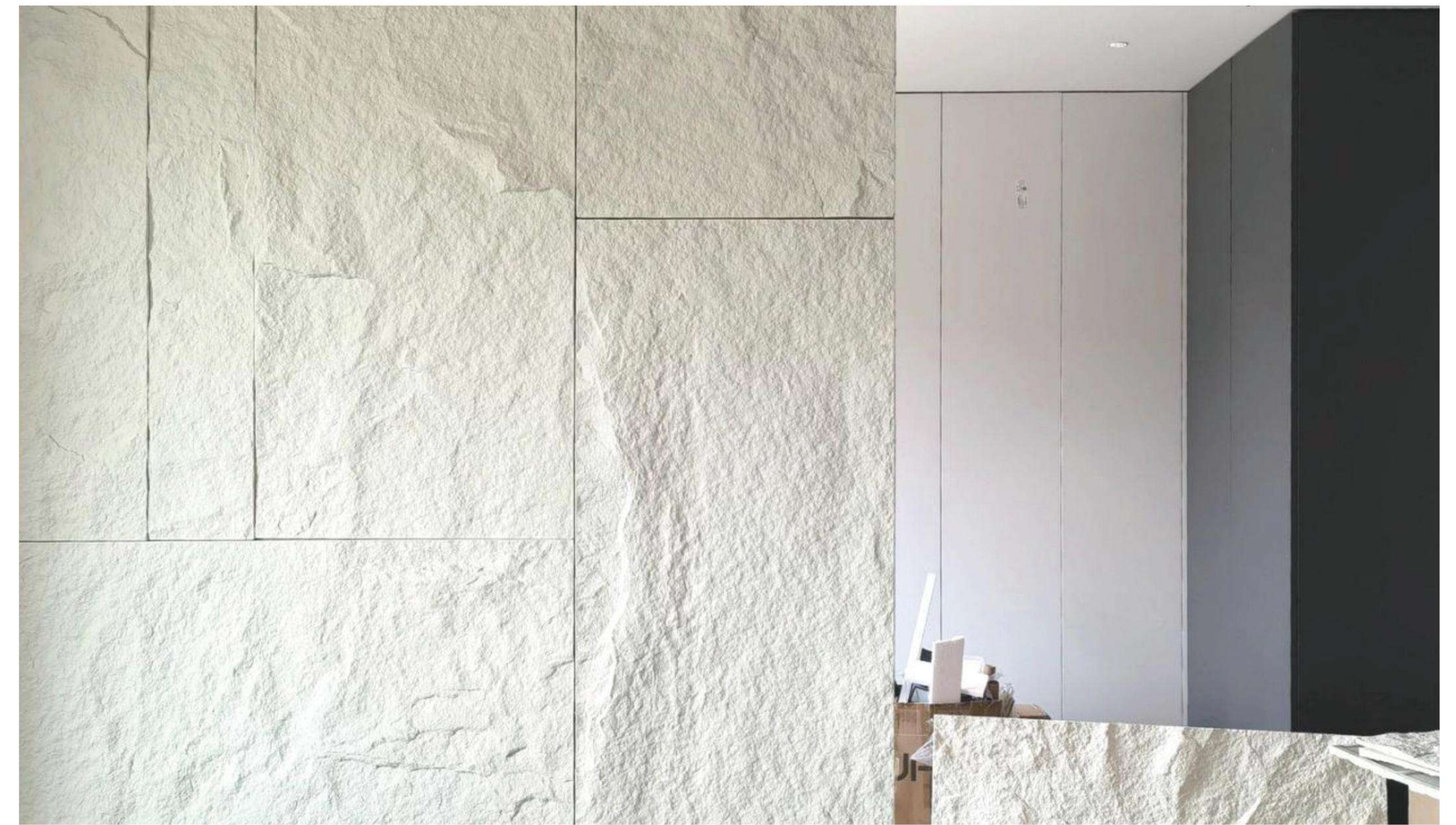
H3-22



W001



W002



Installation



1.Cutting PU Stone Panels



2.Applying Adhesive



3.Installing PU Stone Panels



4.Nailing for Reinforcement



**FLAT SERIES
WALL PANEL**

P

PVC MARBLE SHEET
Realistic marble texture adds an elegant touch to the interior space.

2026



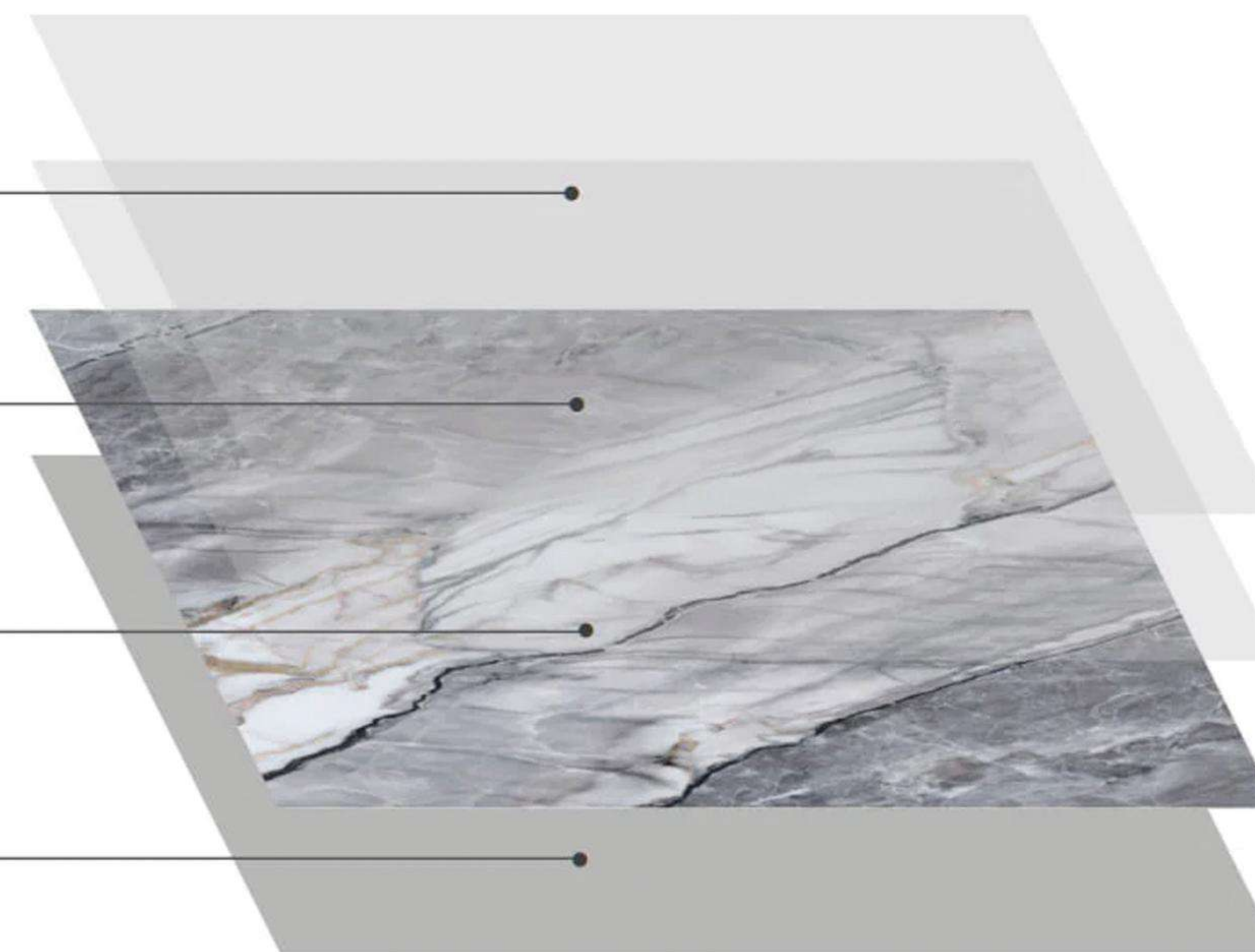
◎ PVC MARBLE SHEET

01. PE Protective Film

02. UV Coating Wear Resistant

03. Heat Transfer Film

04. PVC Stone Base Board



Product structure

■ Hot Selling Colors



KL-8260



KL-8230



S-1639



S-1568



S-1622



KL8260-2



KL8098-1



KL8016

Hot Selling Colors



S1222

S1220

KL8162

KL8130

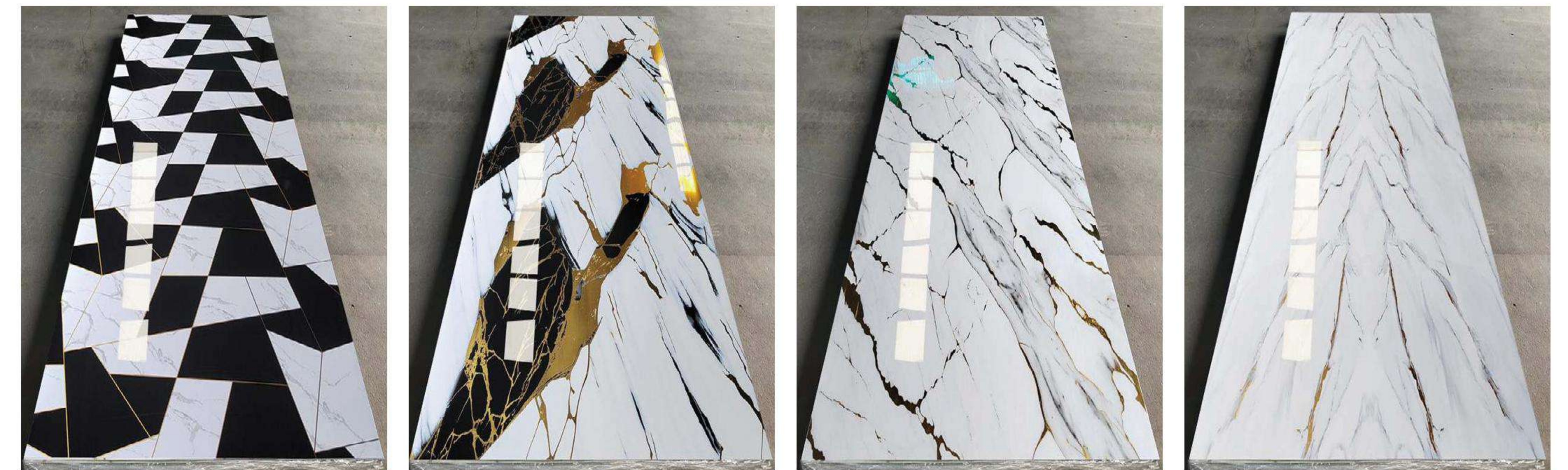


S1557

S1625

KL8257

KL8225-1

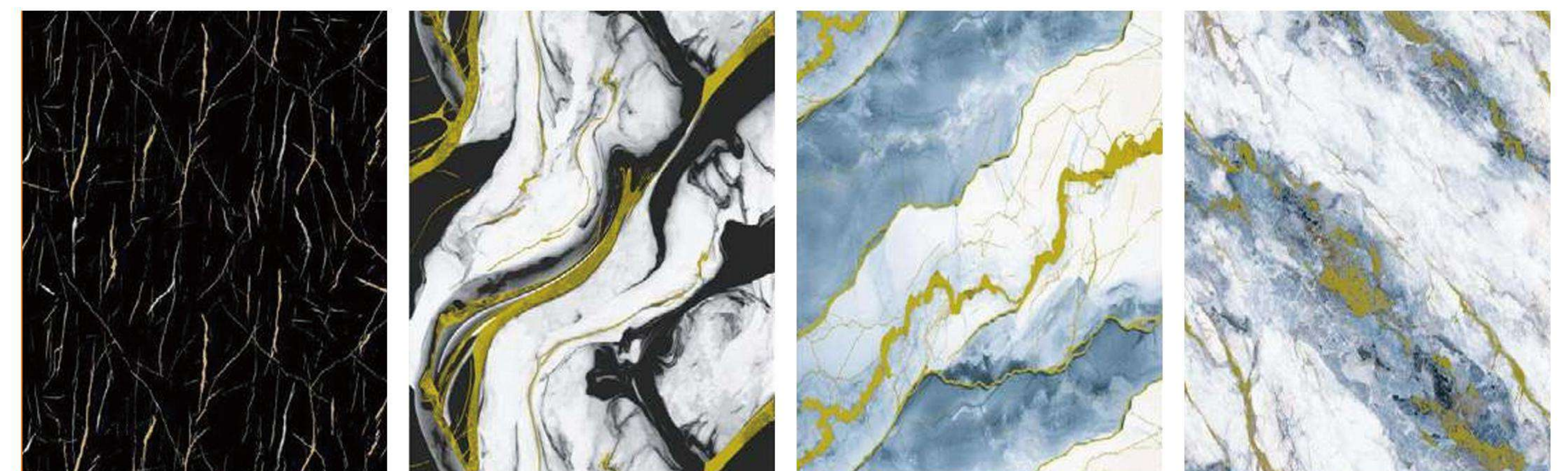


LJ6002T

LJ6003T

LJ6001T

LJ6005T



S1650

S1654-1

S1657-1

S1660-2

Installation



1.Measure the required dimensions.



2.Cut the UV wall panel with a utility knife.



3.Apply nail free glue to the back.



4.Paste it on the wall.



EMBOSSED MARBLE SHEET



E-01



E-02



E-03



E-04



E-05



E-06



E-07



E-08



E-09



E-10

WPC FLAT WALL PANEL

It is a waterproof, lightweight, expandable rigid plastic wall panel.

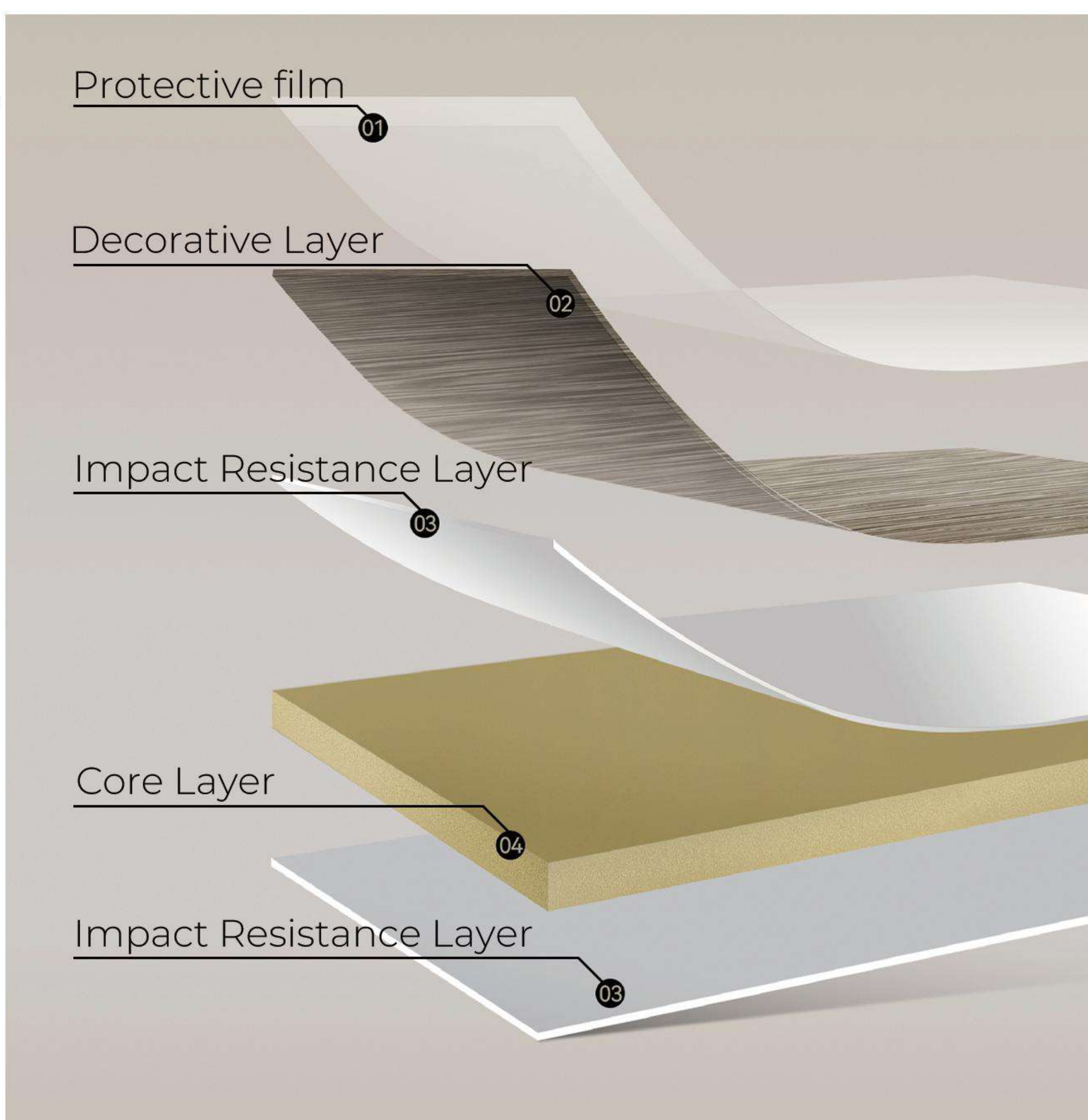
2026



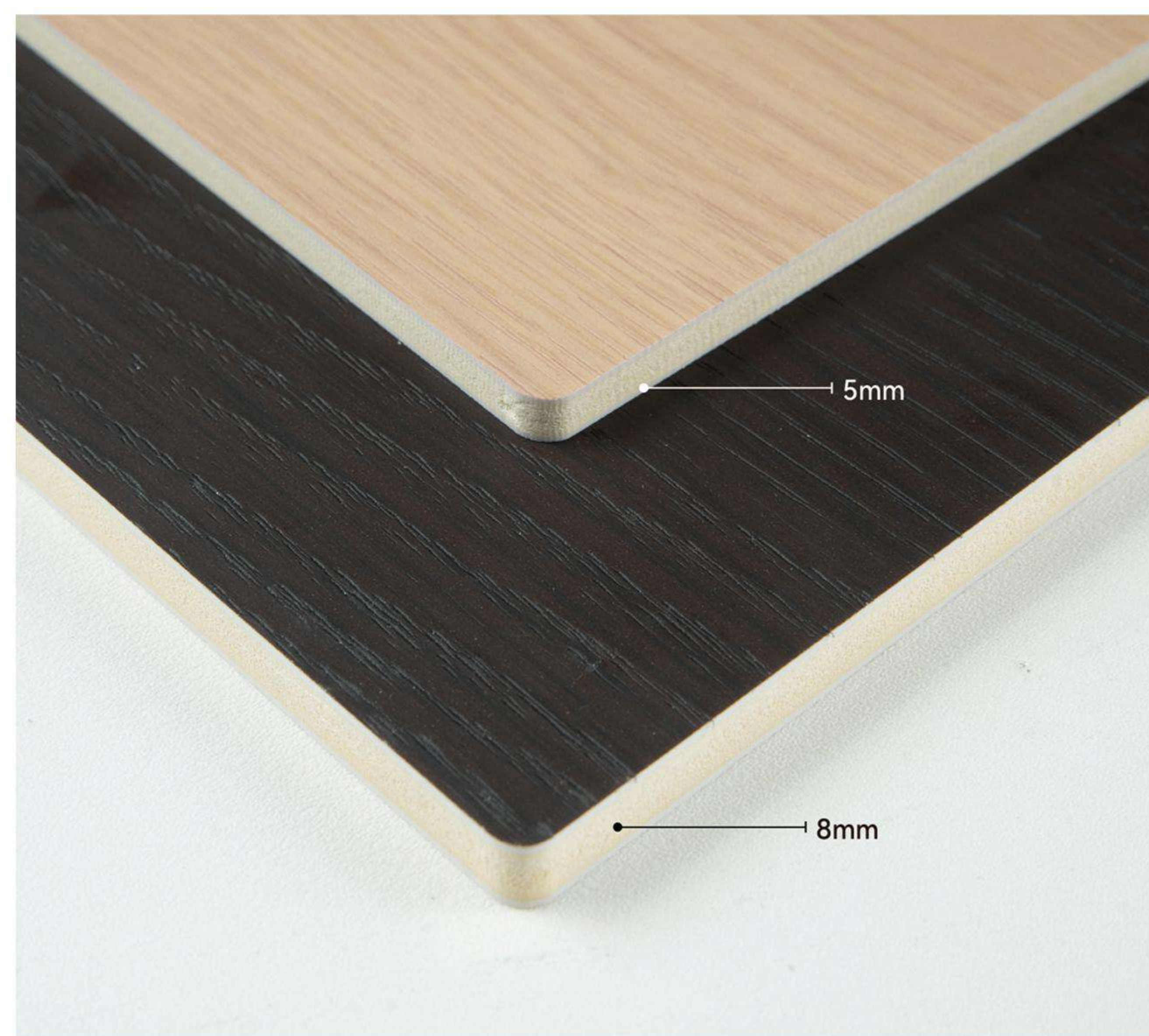
ANTI-COLLISION PANEL



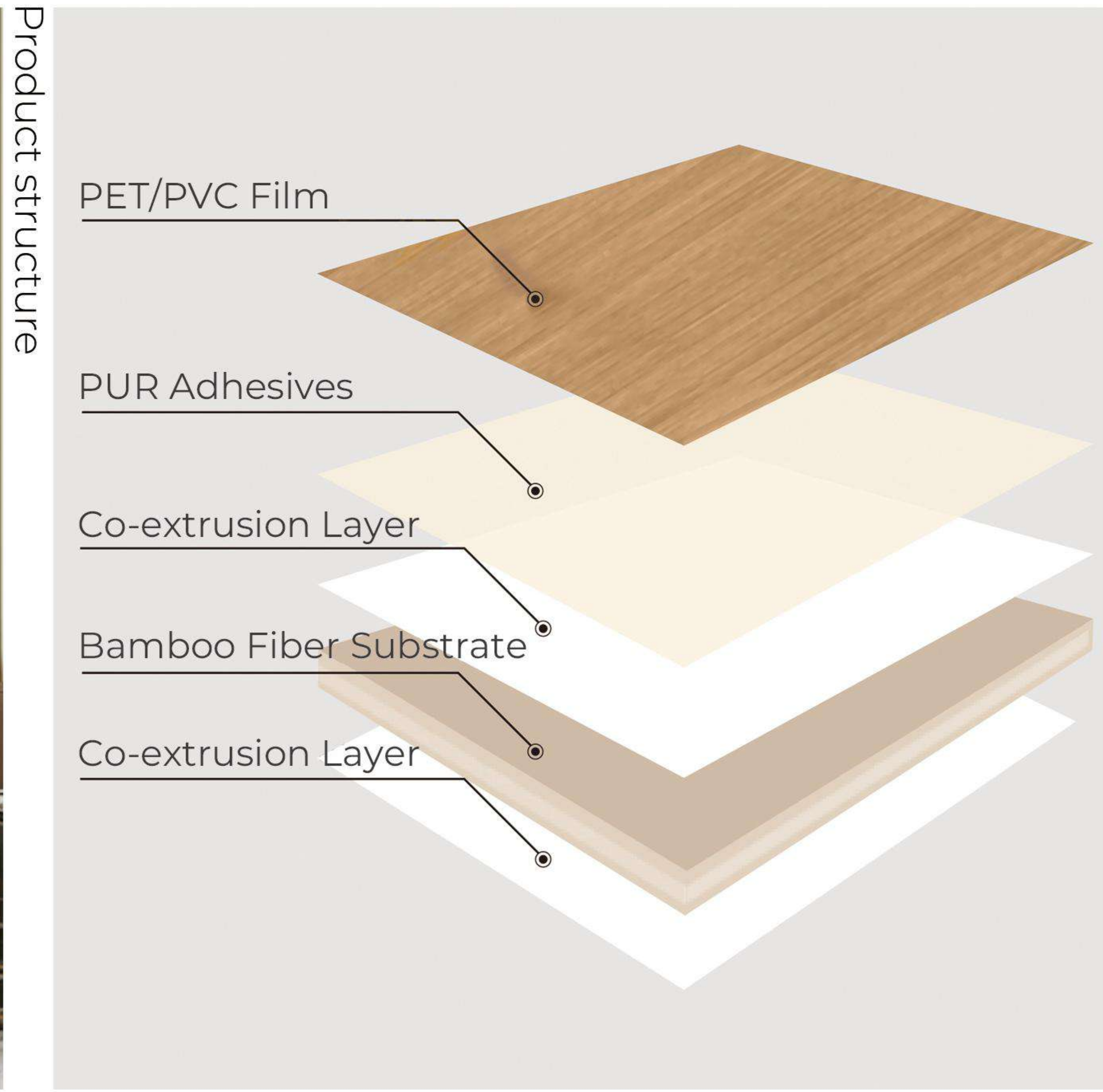
Product structure



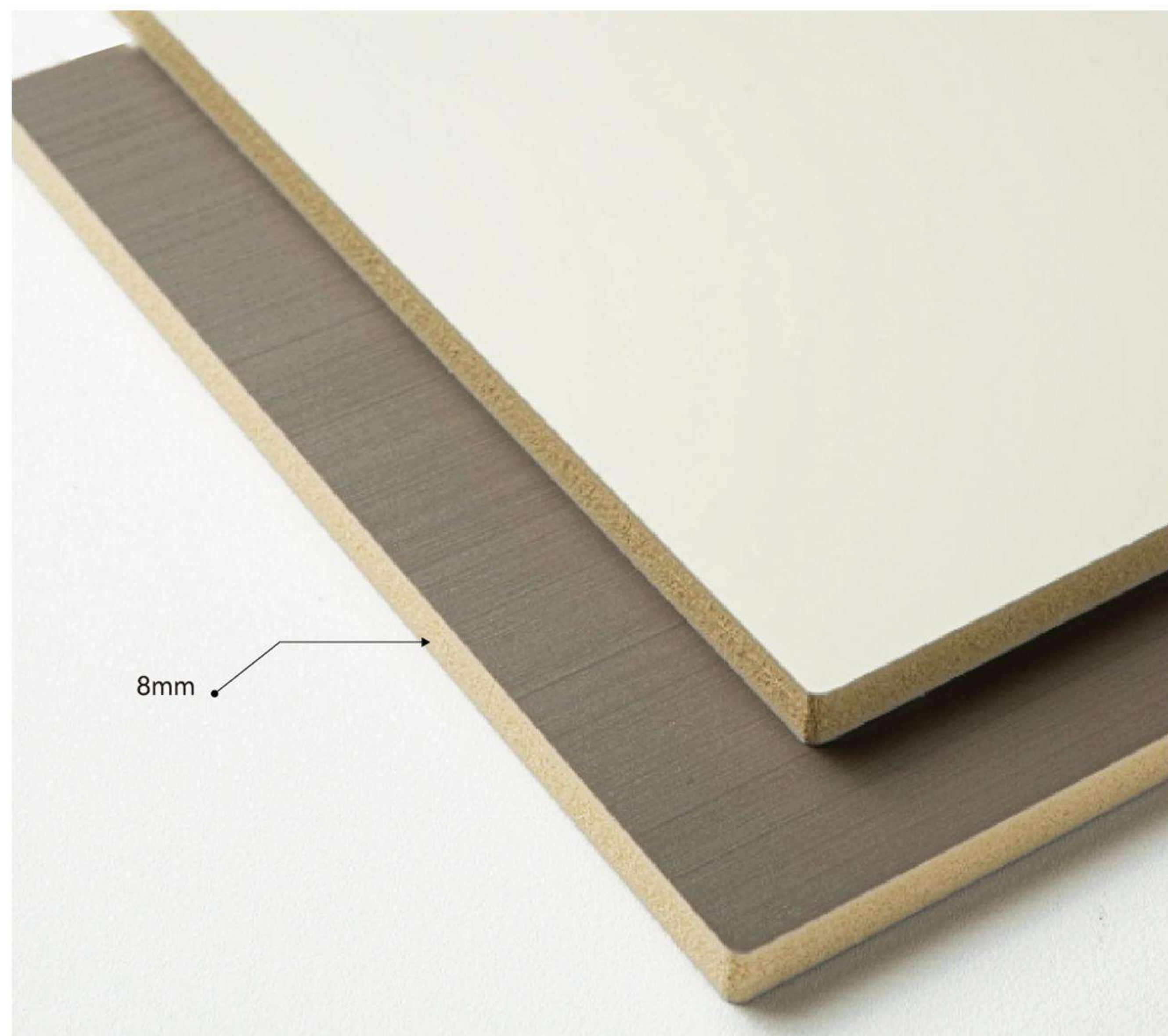
Product Real Shots



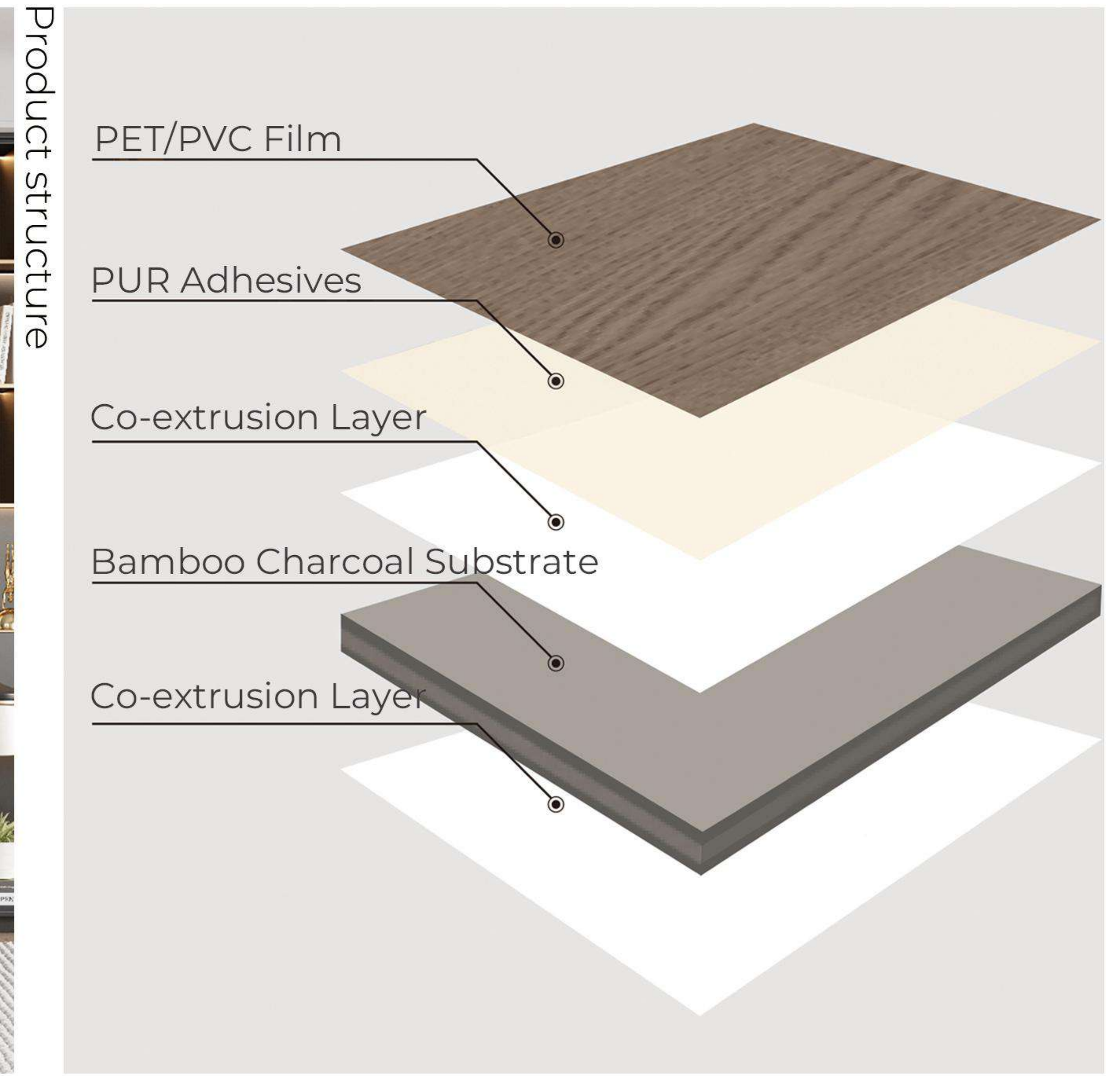
◎ **BAMBOO FIBER WALL PANEL**



■ **Product Real Shots**



◎ **BAMBOO CHARCOAL WALL PANEL**

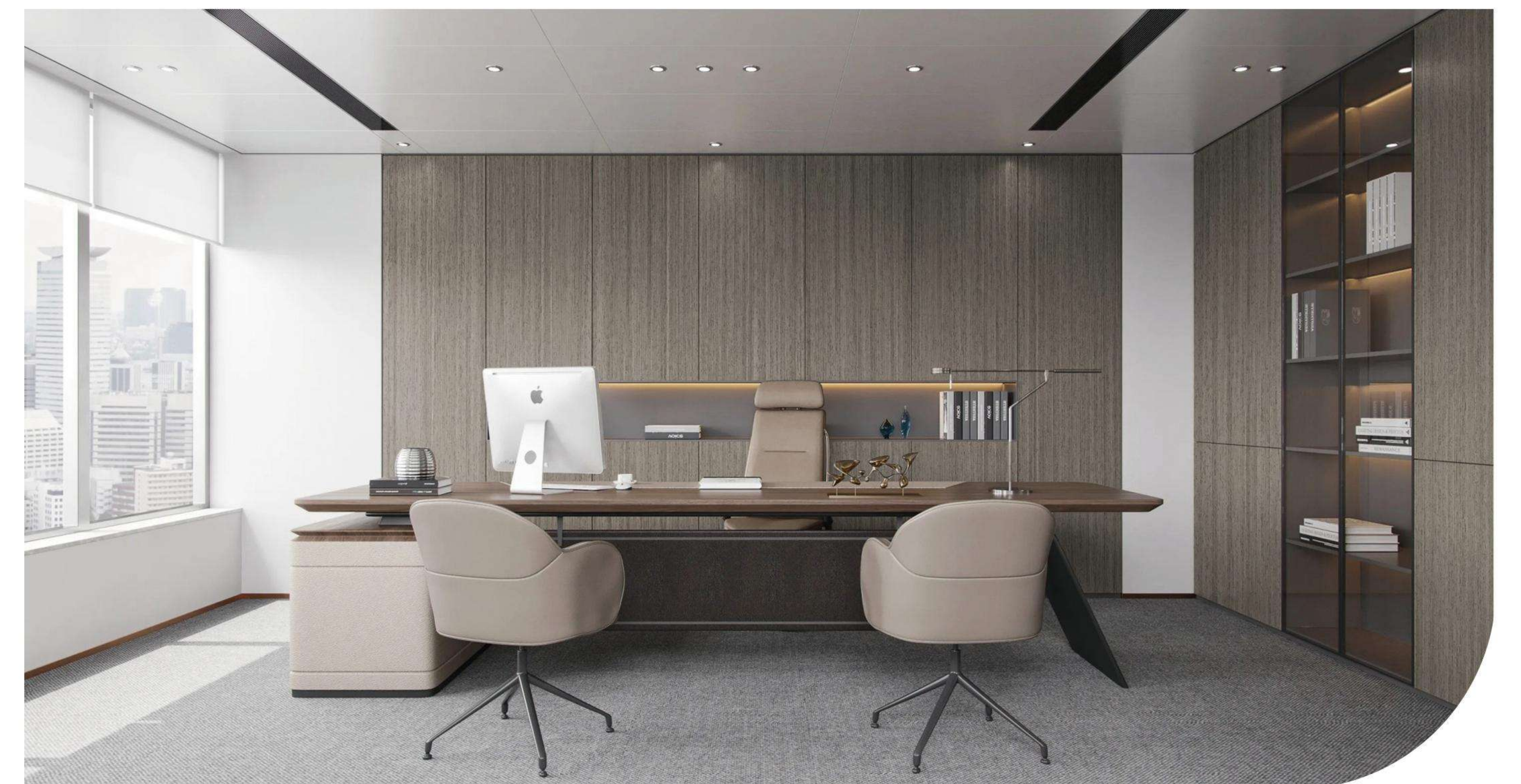
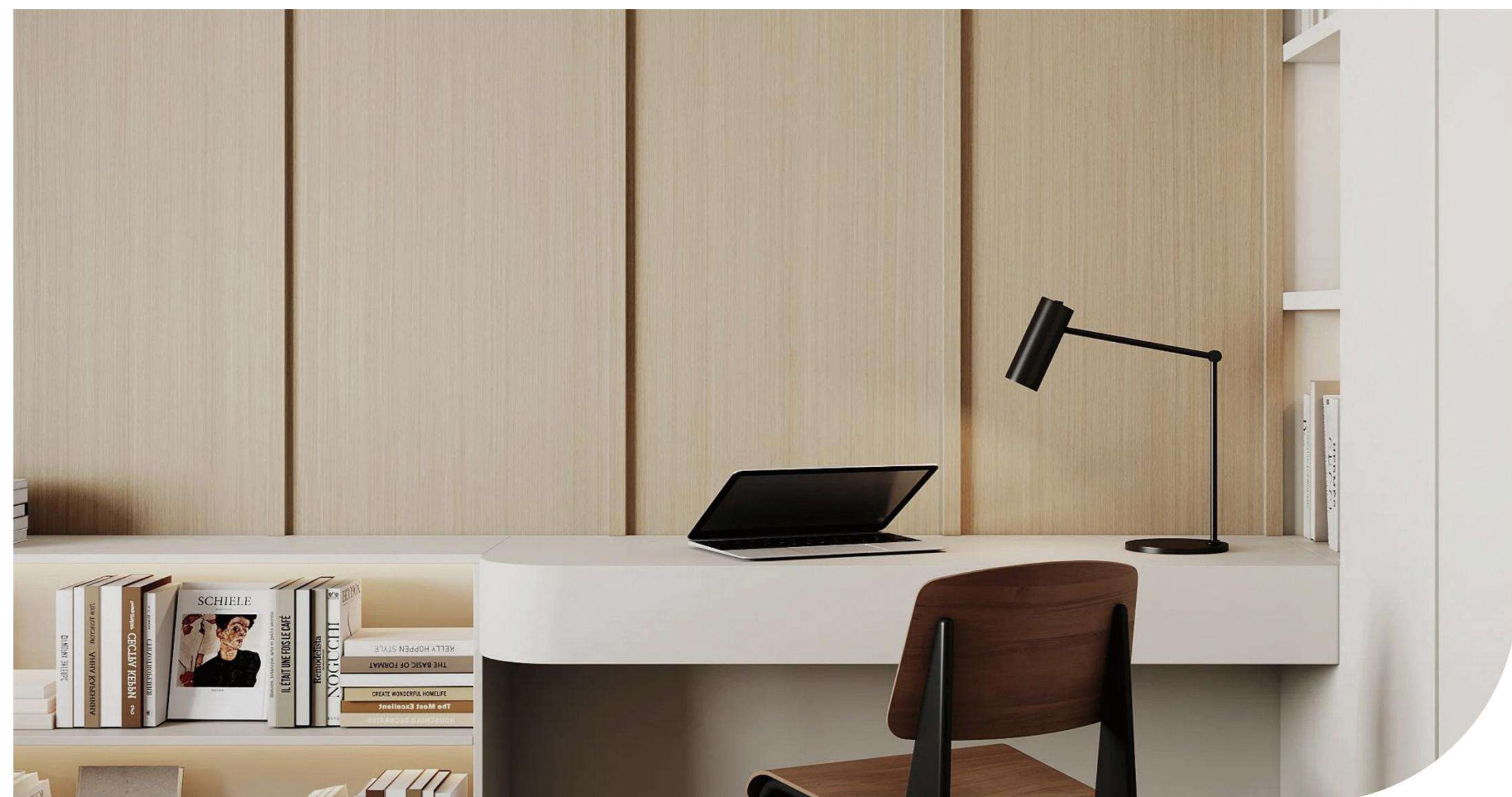


■ **Product Real Shots**



Hot Selling Colors

Regular Series

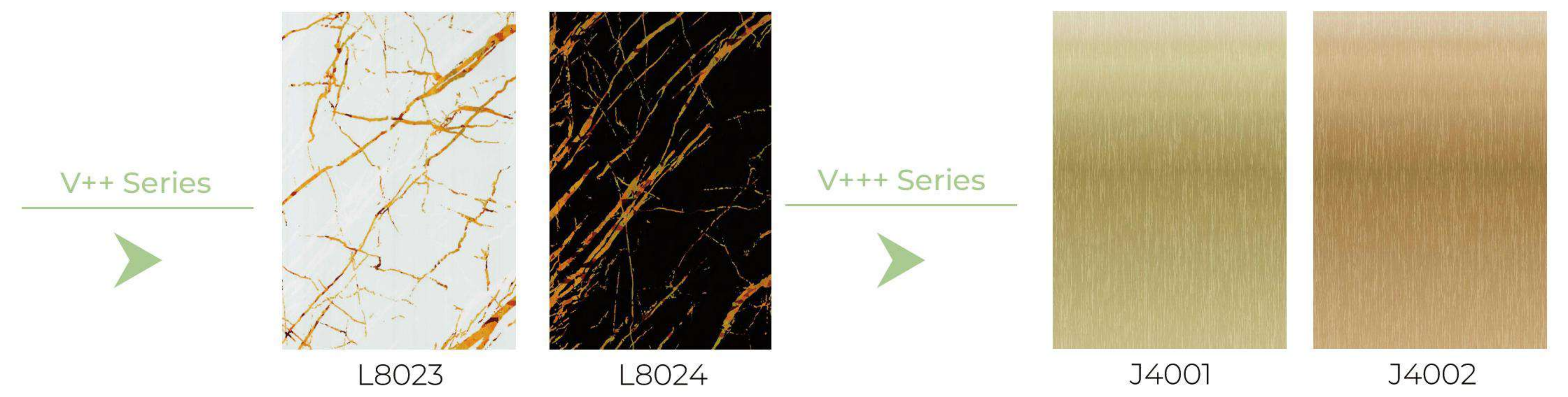


Hot Selling Colors

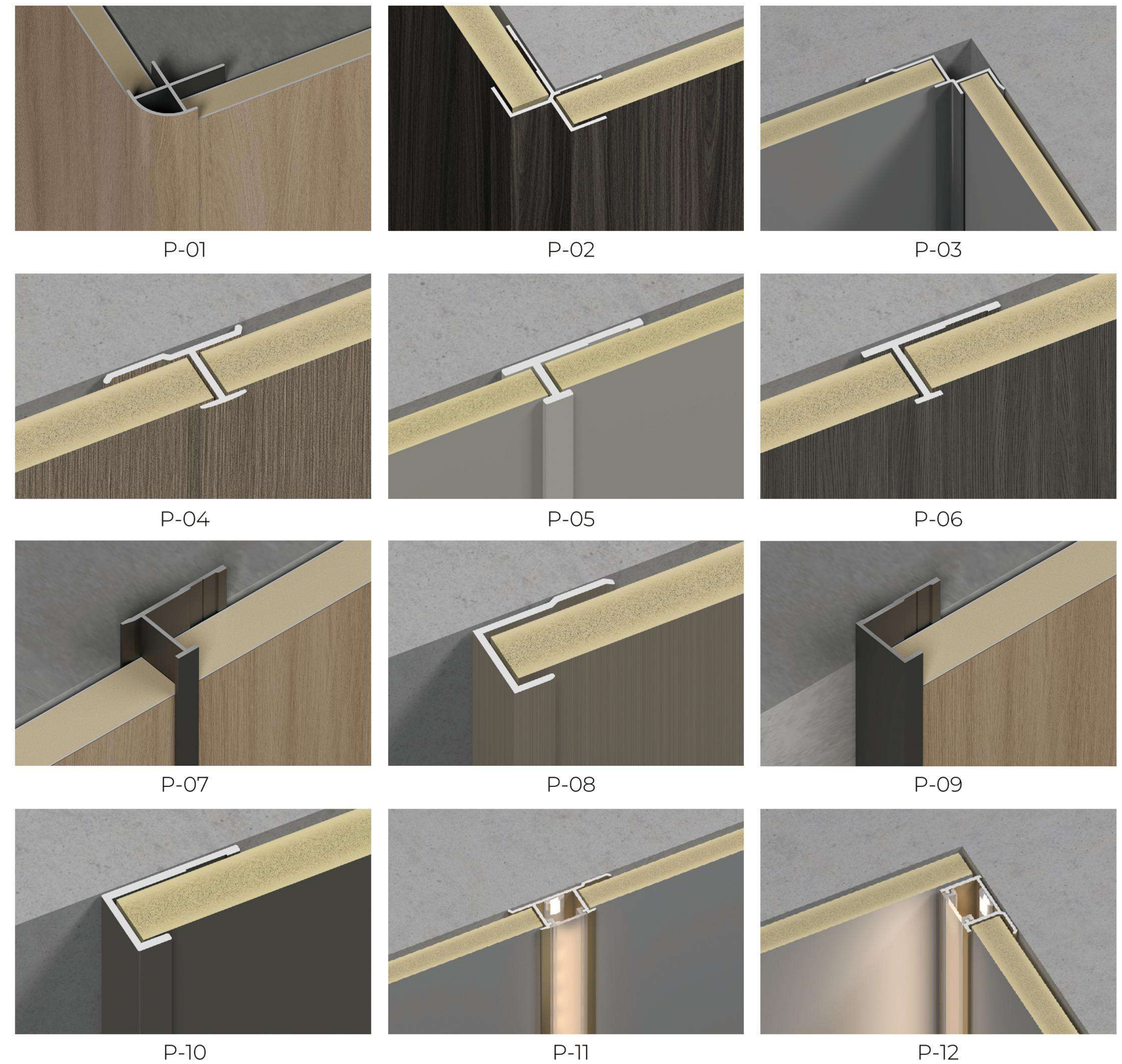
V Series



V+ Series



Aluminum Profile





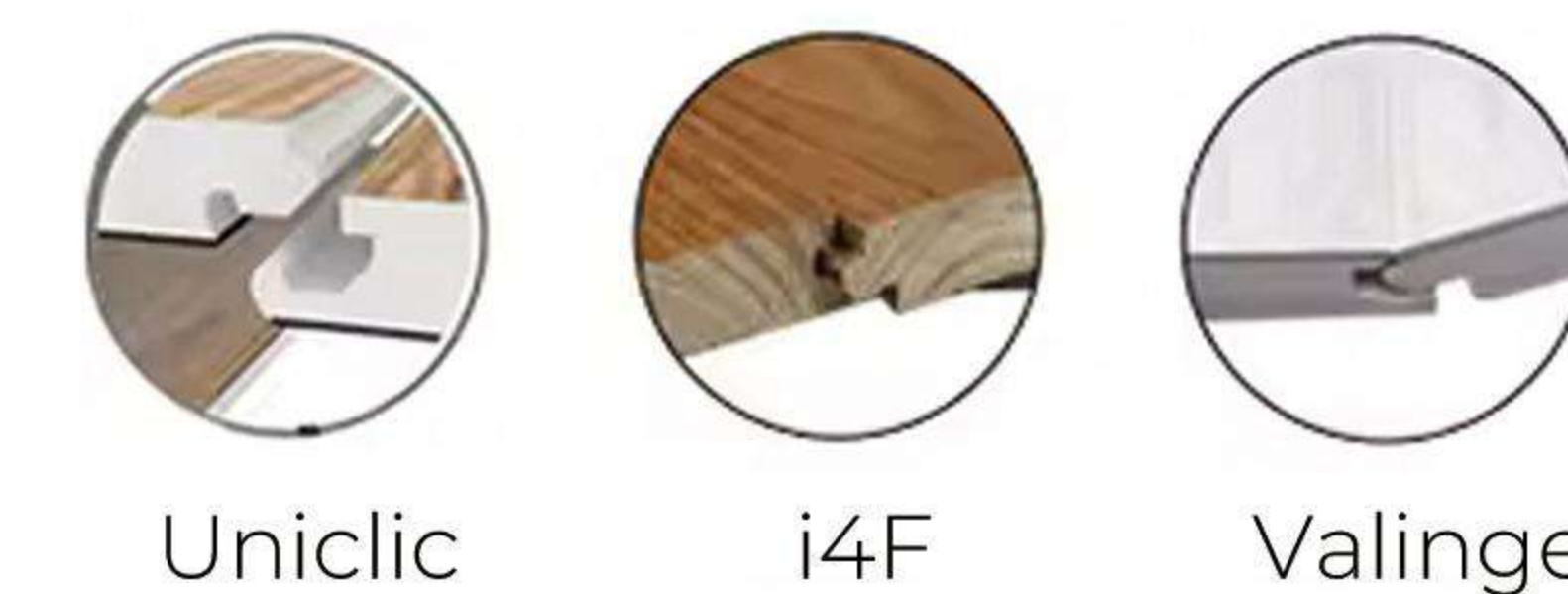
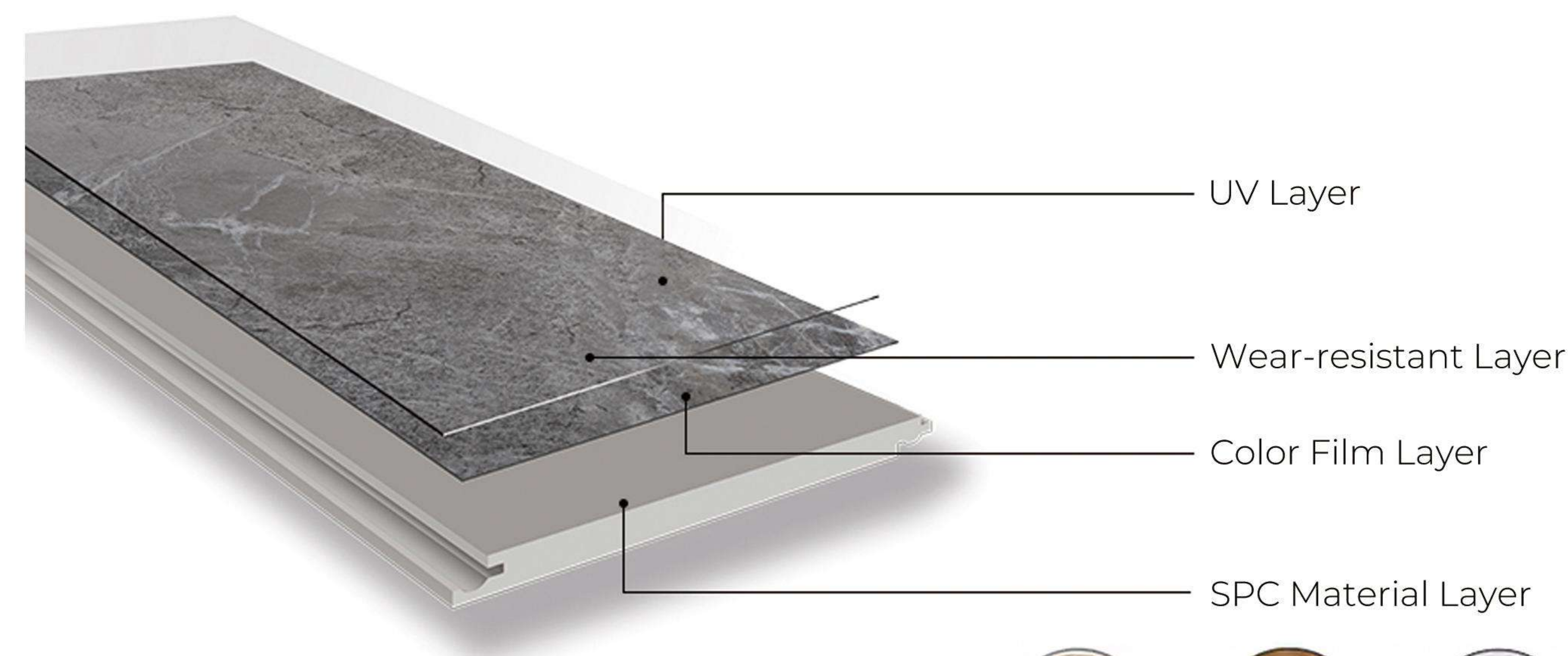
SPC CLICK WALL PANEL

It is a waterproof, lightweight, expandable rigid plastic wall panel.

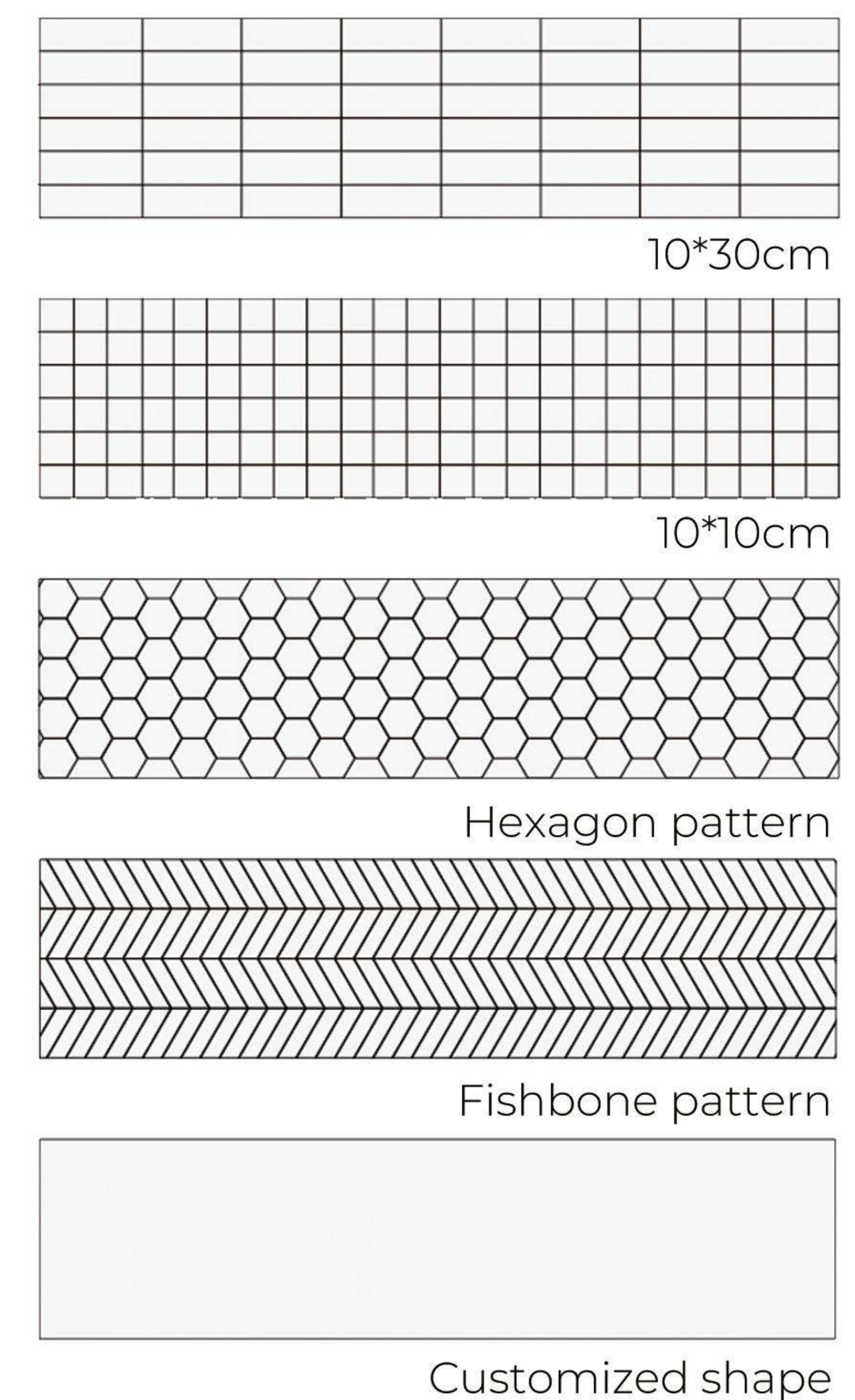
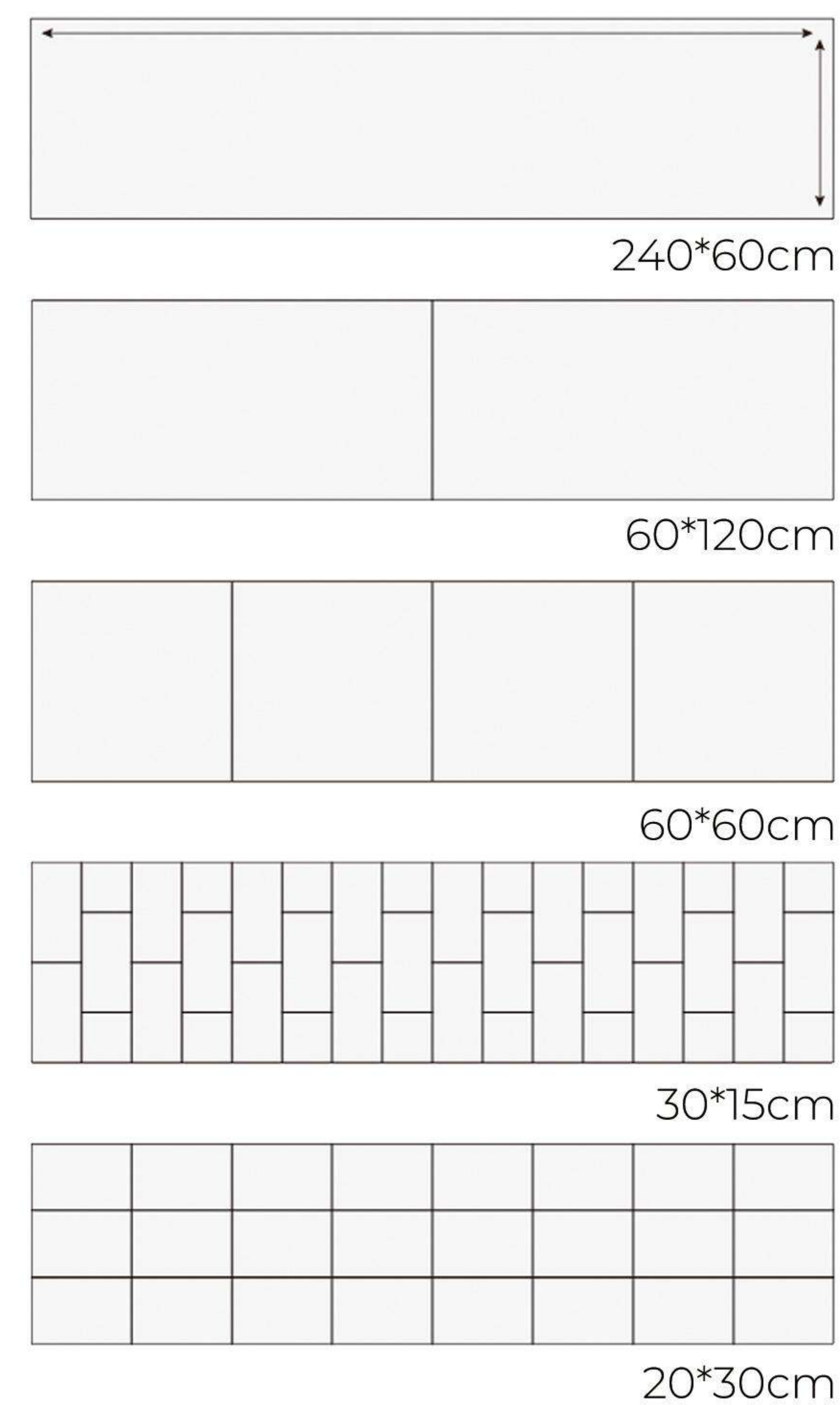
2026



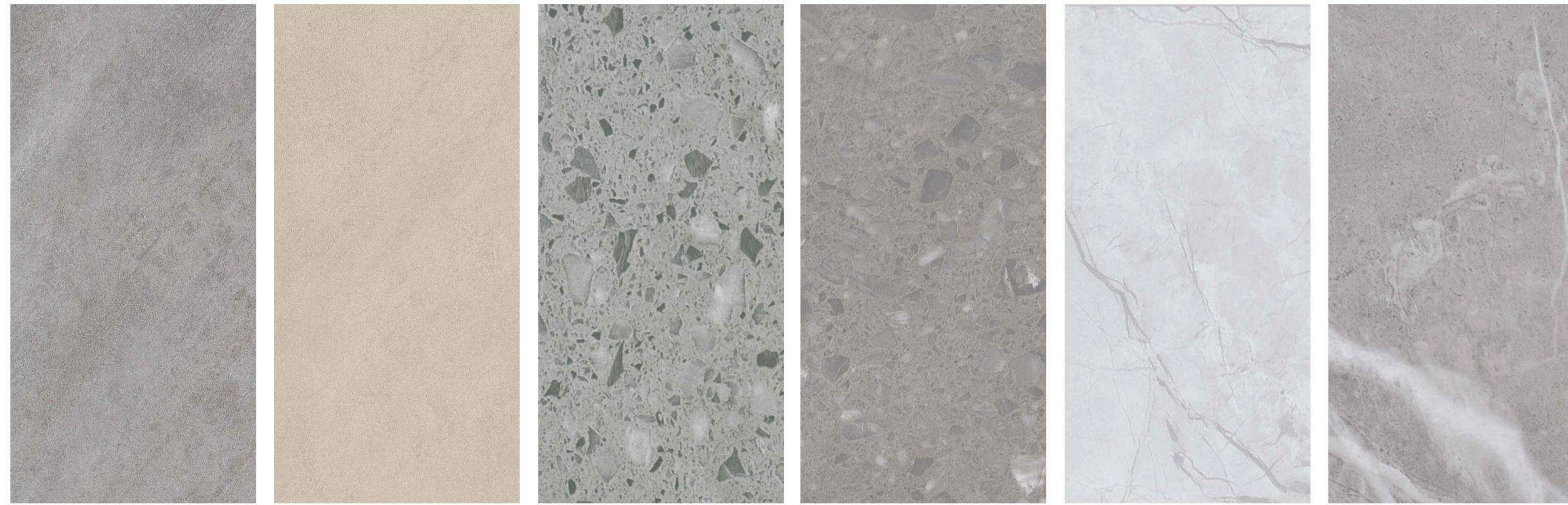
SPC CLICK WALL PANEL



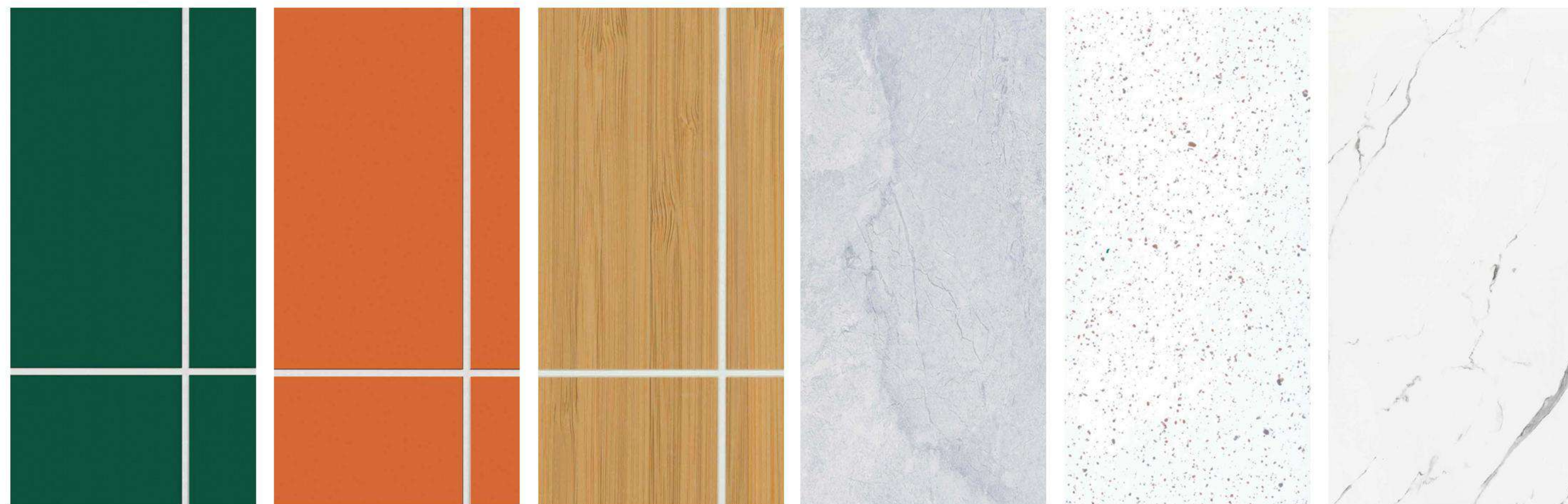
Panel Shape



Hot Selling Colors



A-01 A-02 A-03 A-04 A-05 A-06



A-07 A-08 A-09 A-10 A-11 A-12



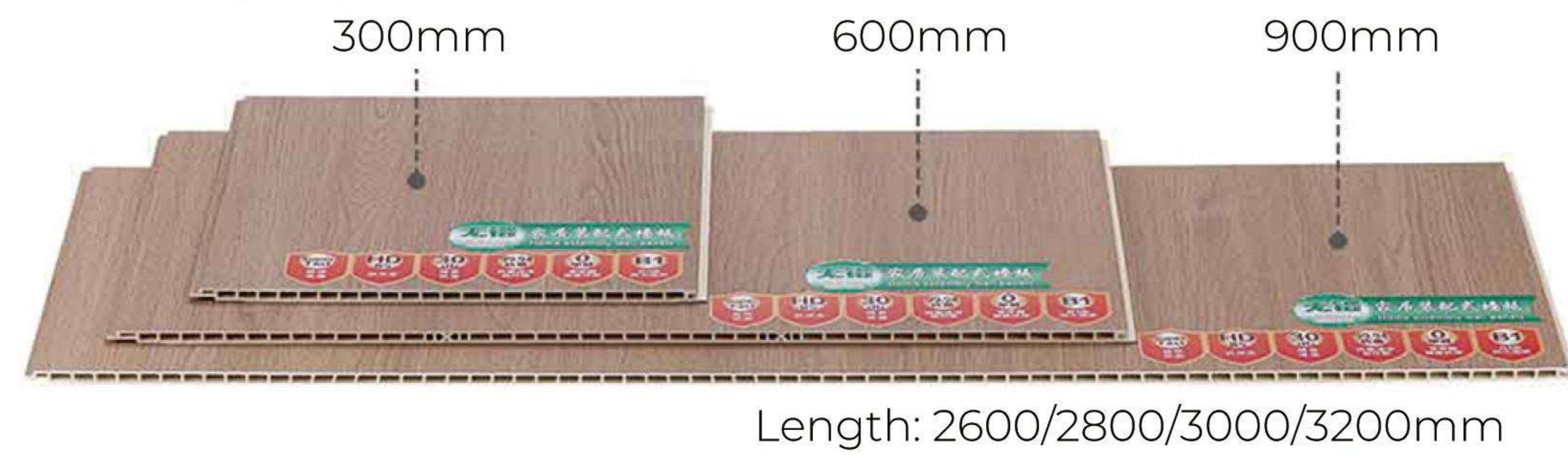
Size



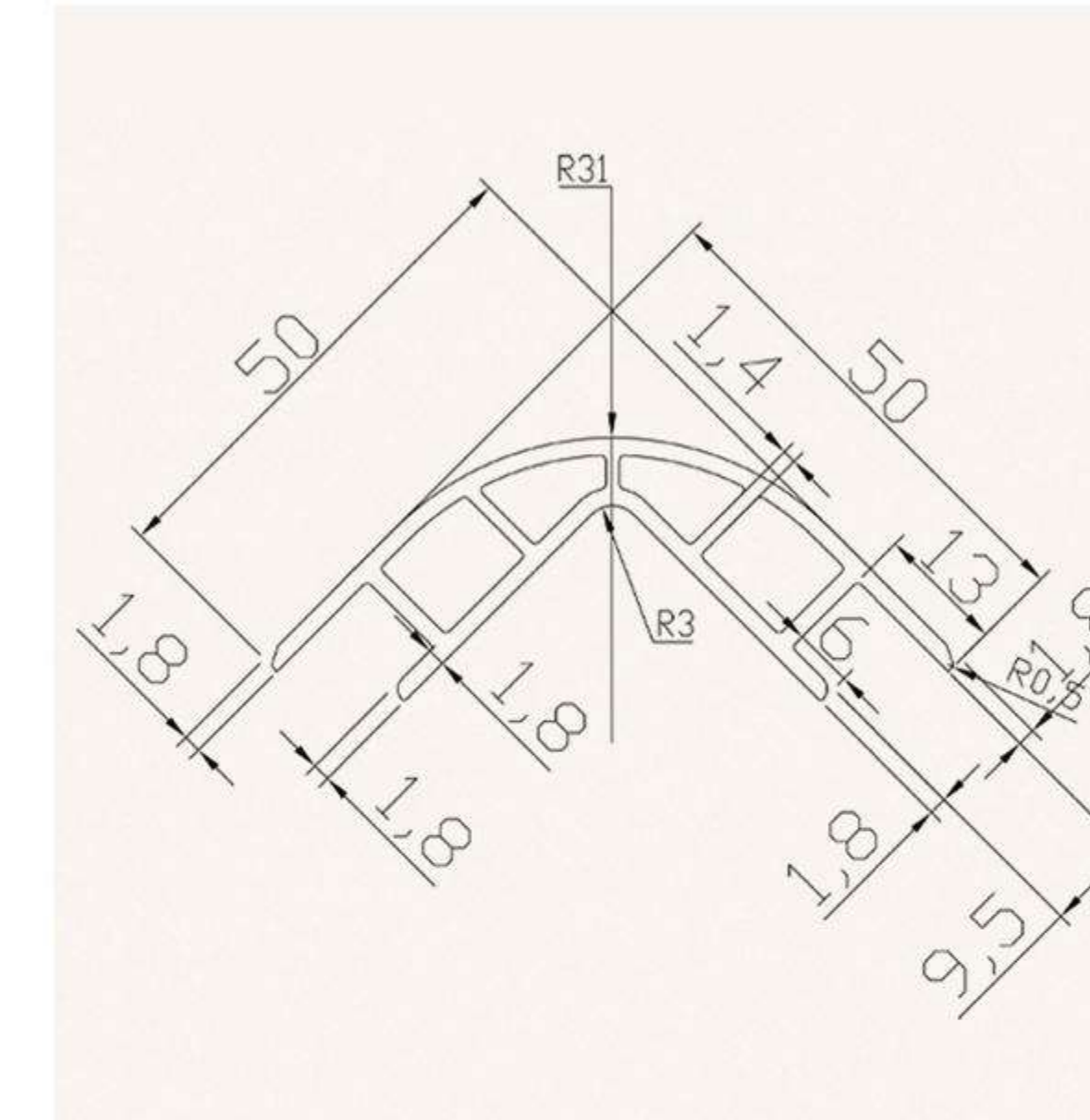
UPVC WALL PANEL



Panel Shape



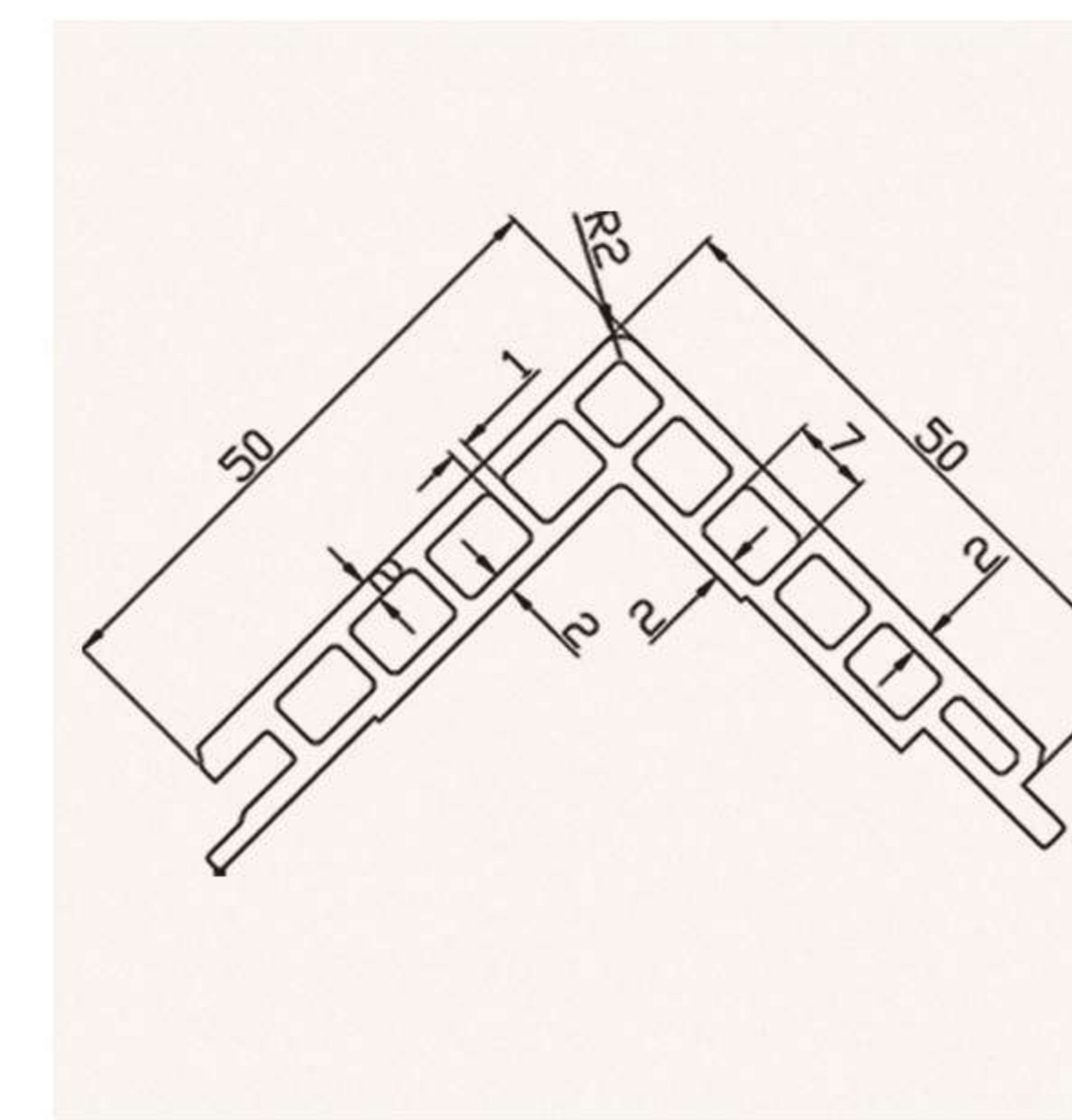
Rounded External Corner



50*50mm



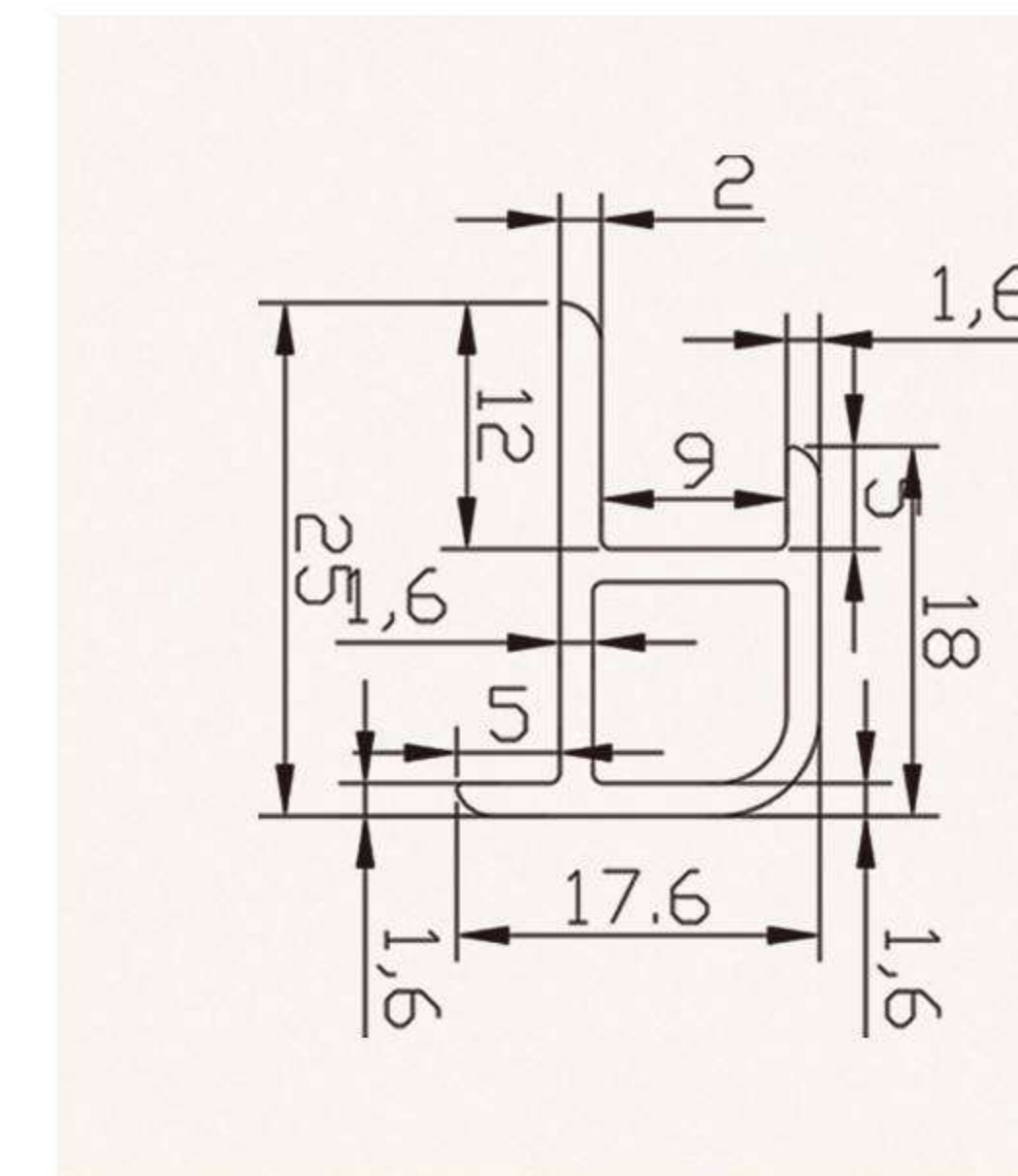
Right-Angle External Corner



50*50mm



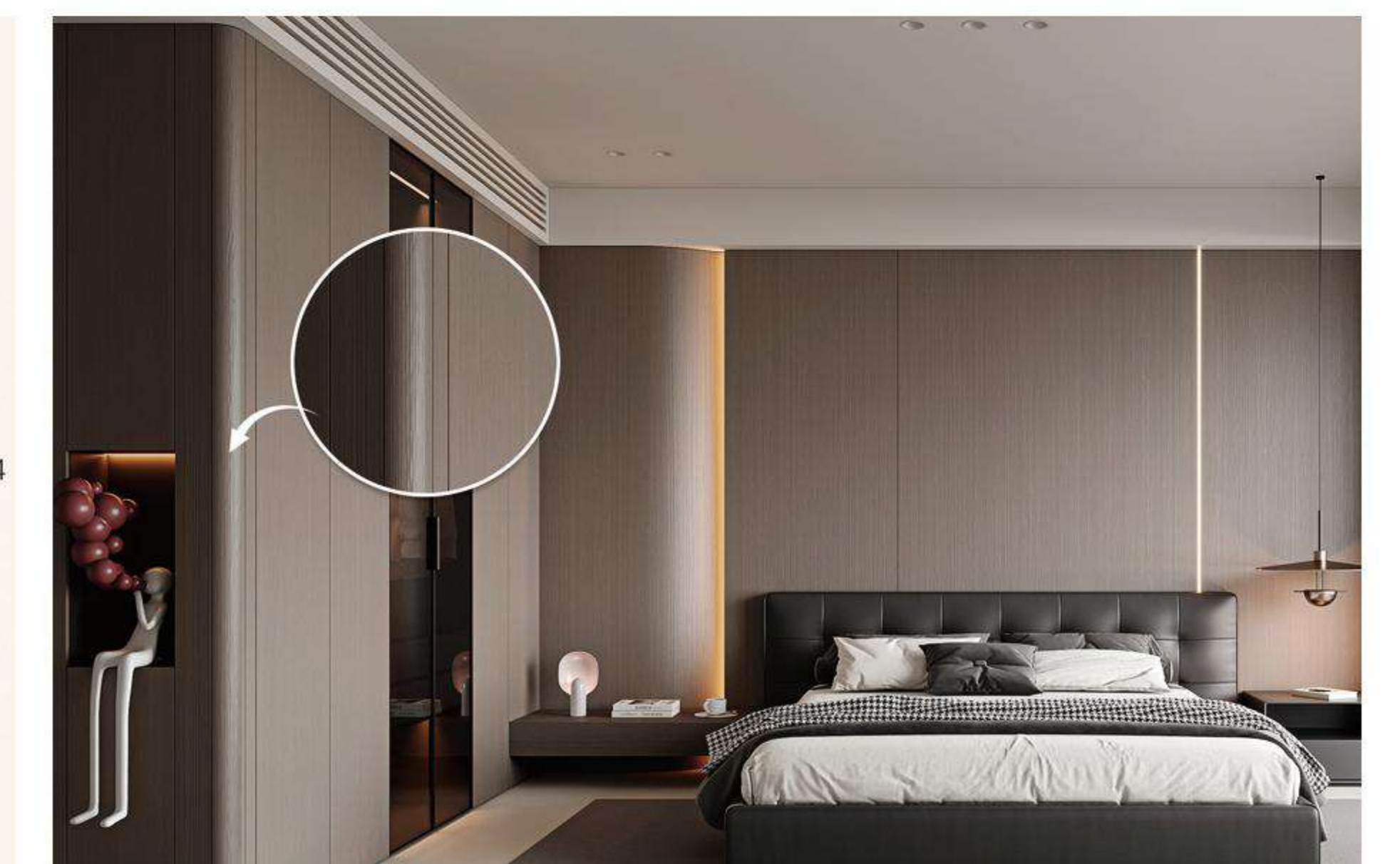
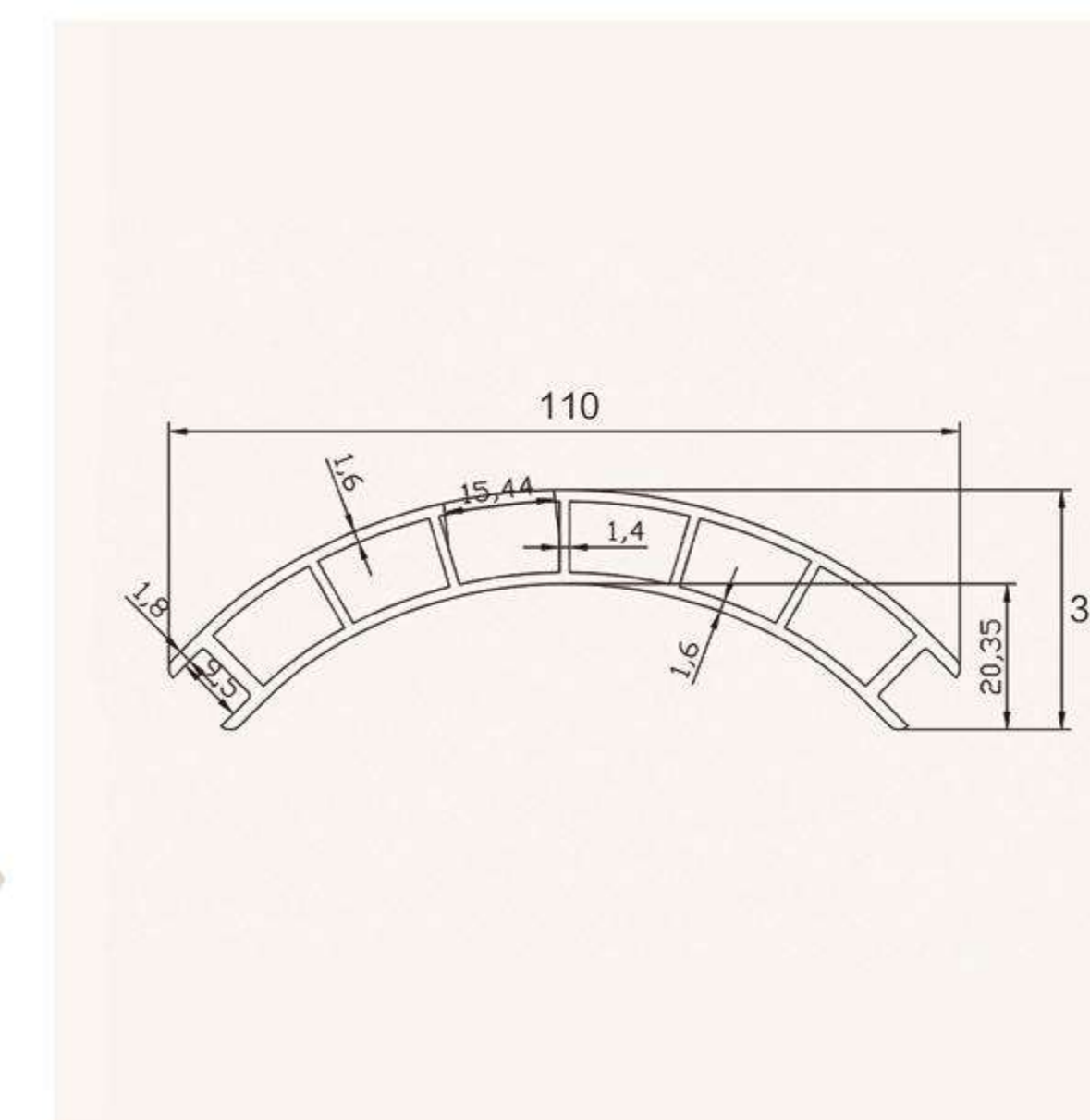
Universal Trim



18*18mm

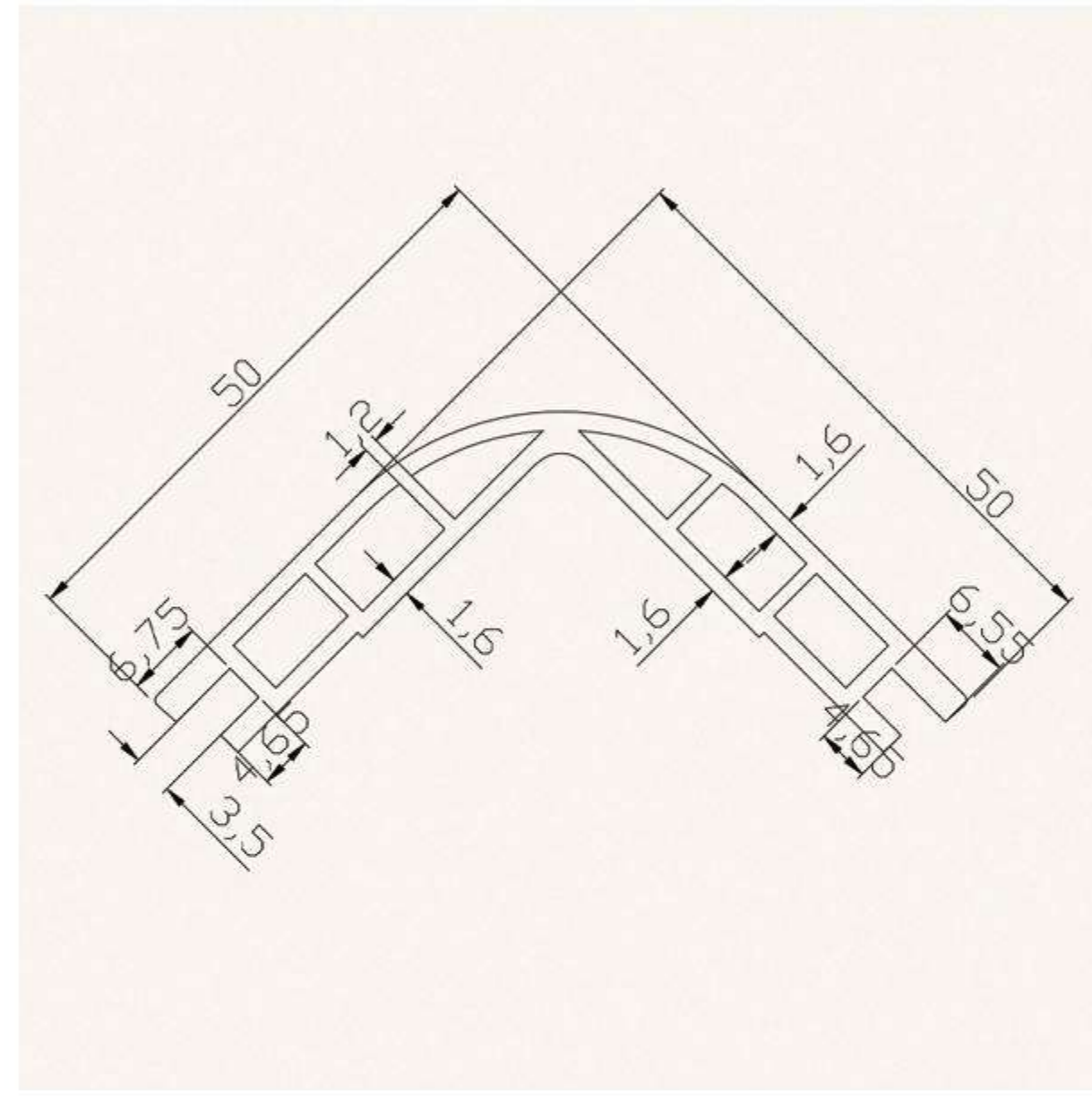


Rounded Internal & External Corners 110*33.54mm





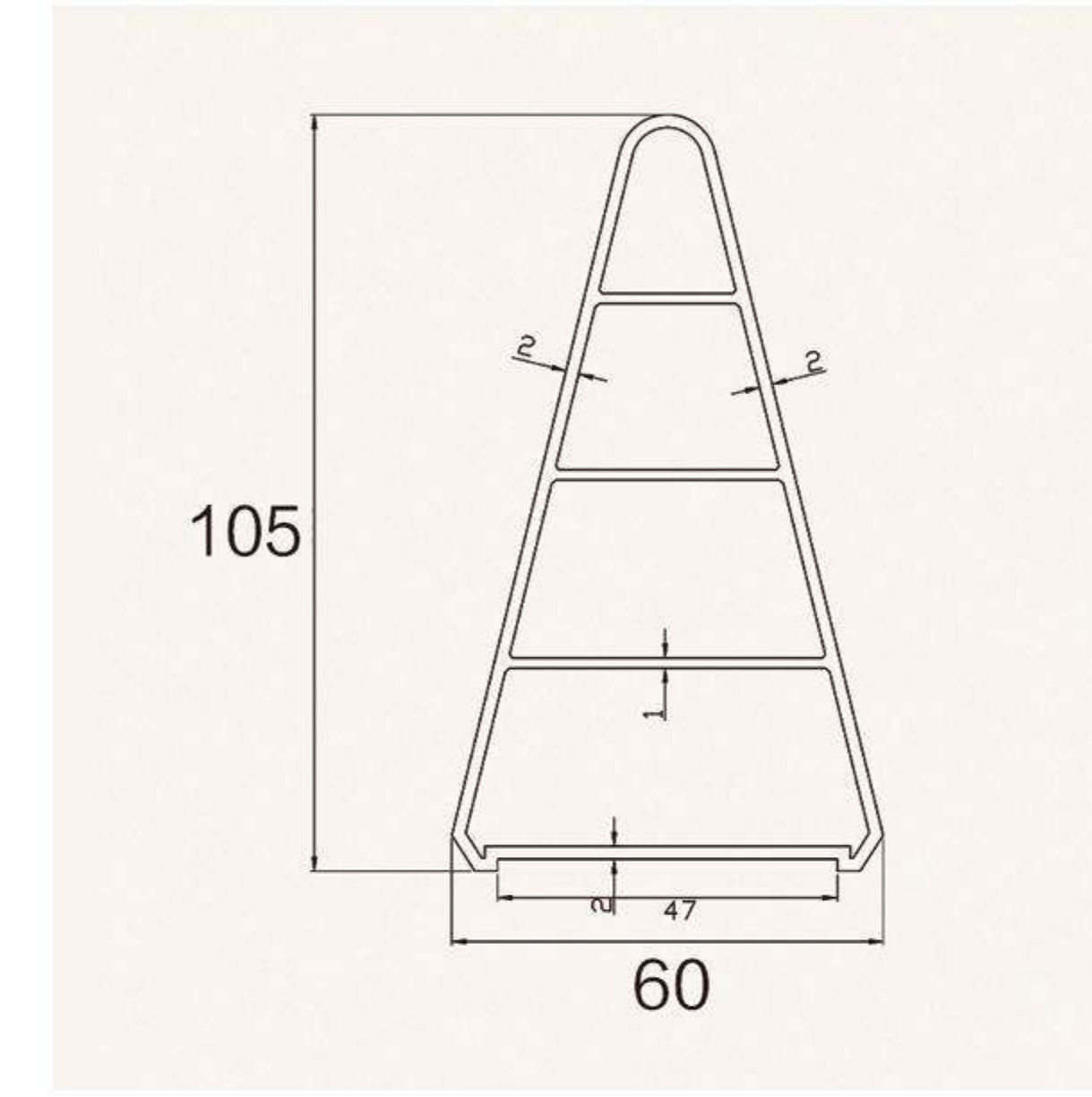
DFG Rounded External Trim



50*50mm



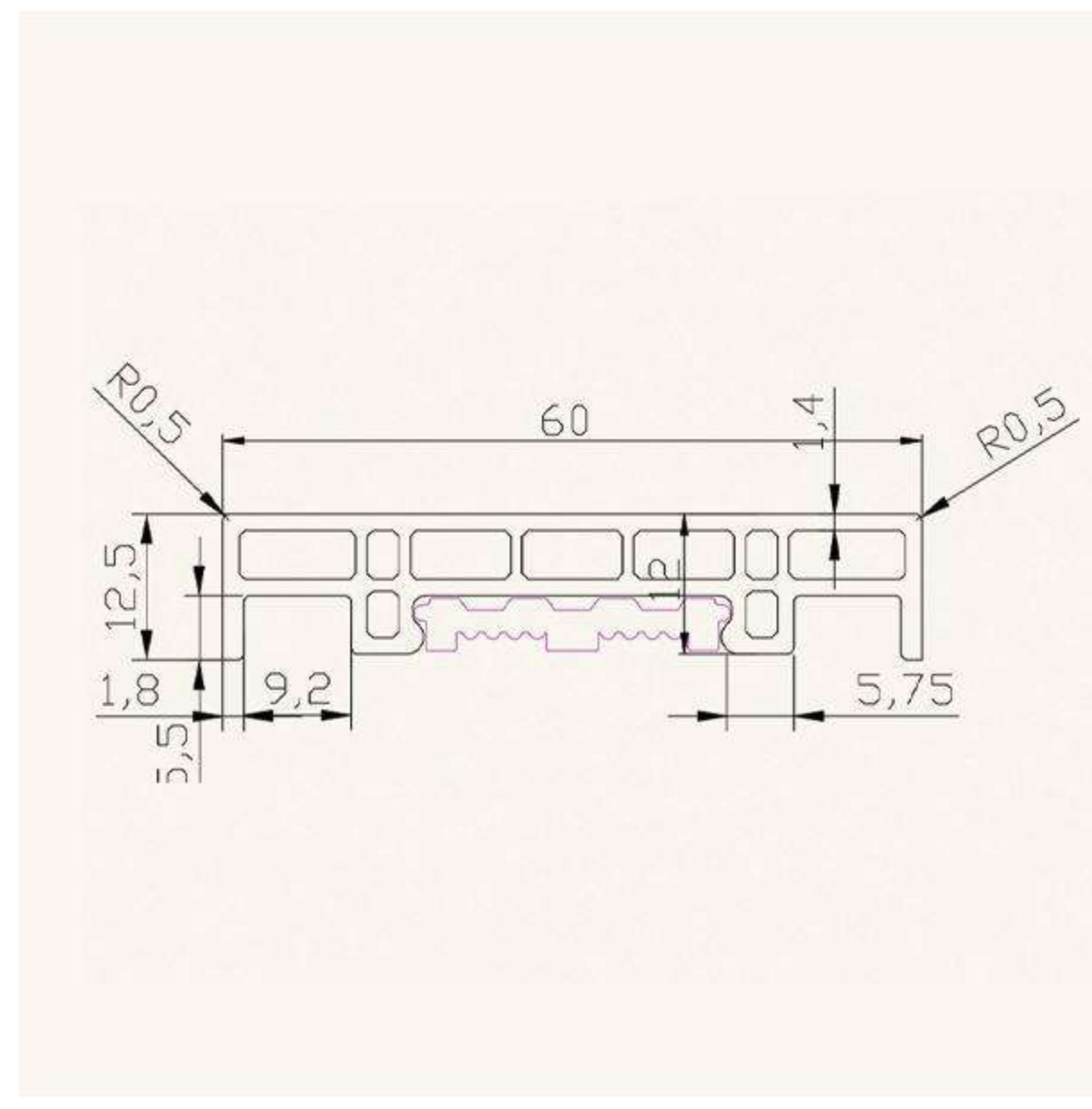
Corrugated Trim



105*60mm



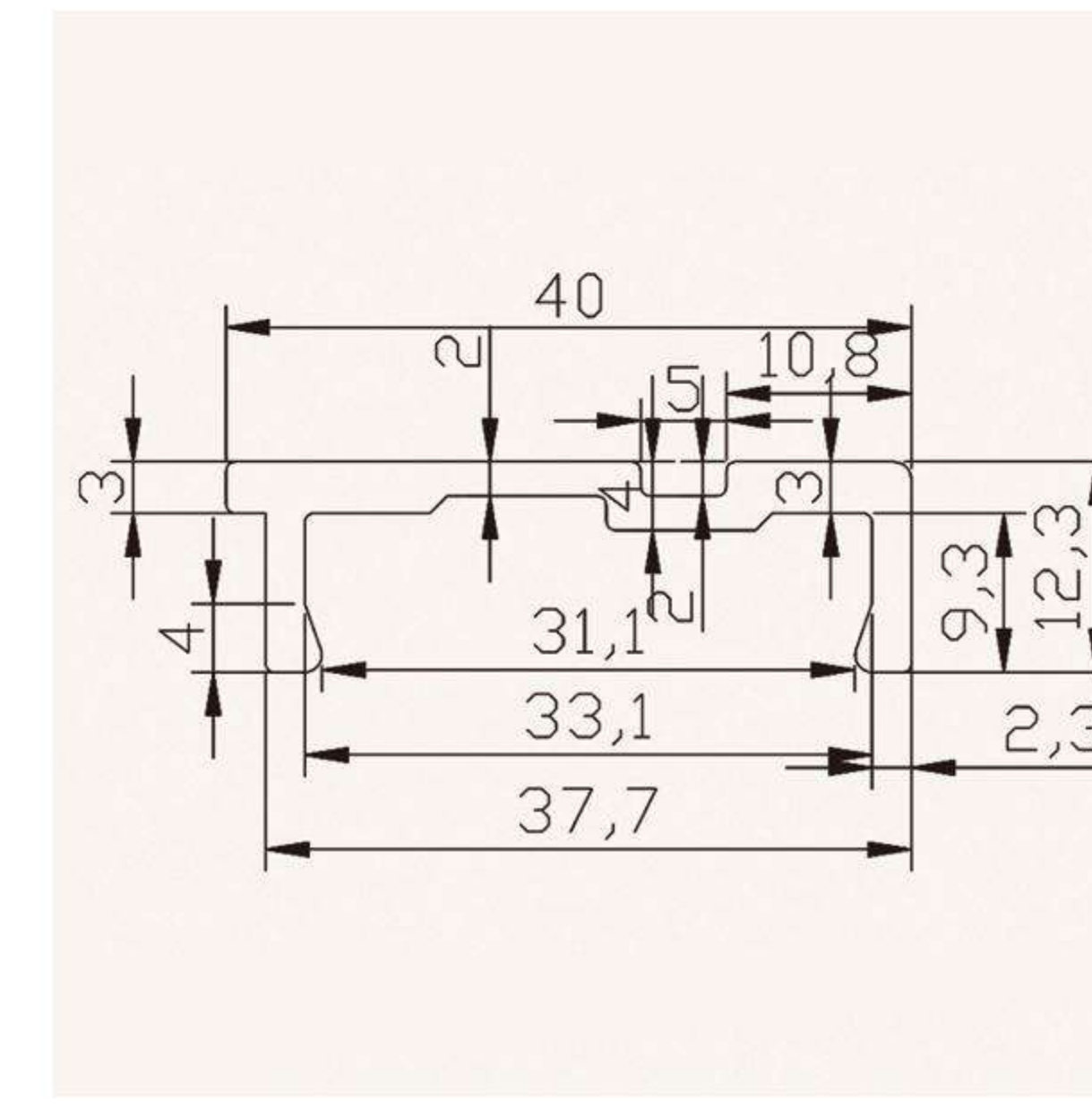
Flat Trim-1



60*12mm



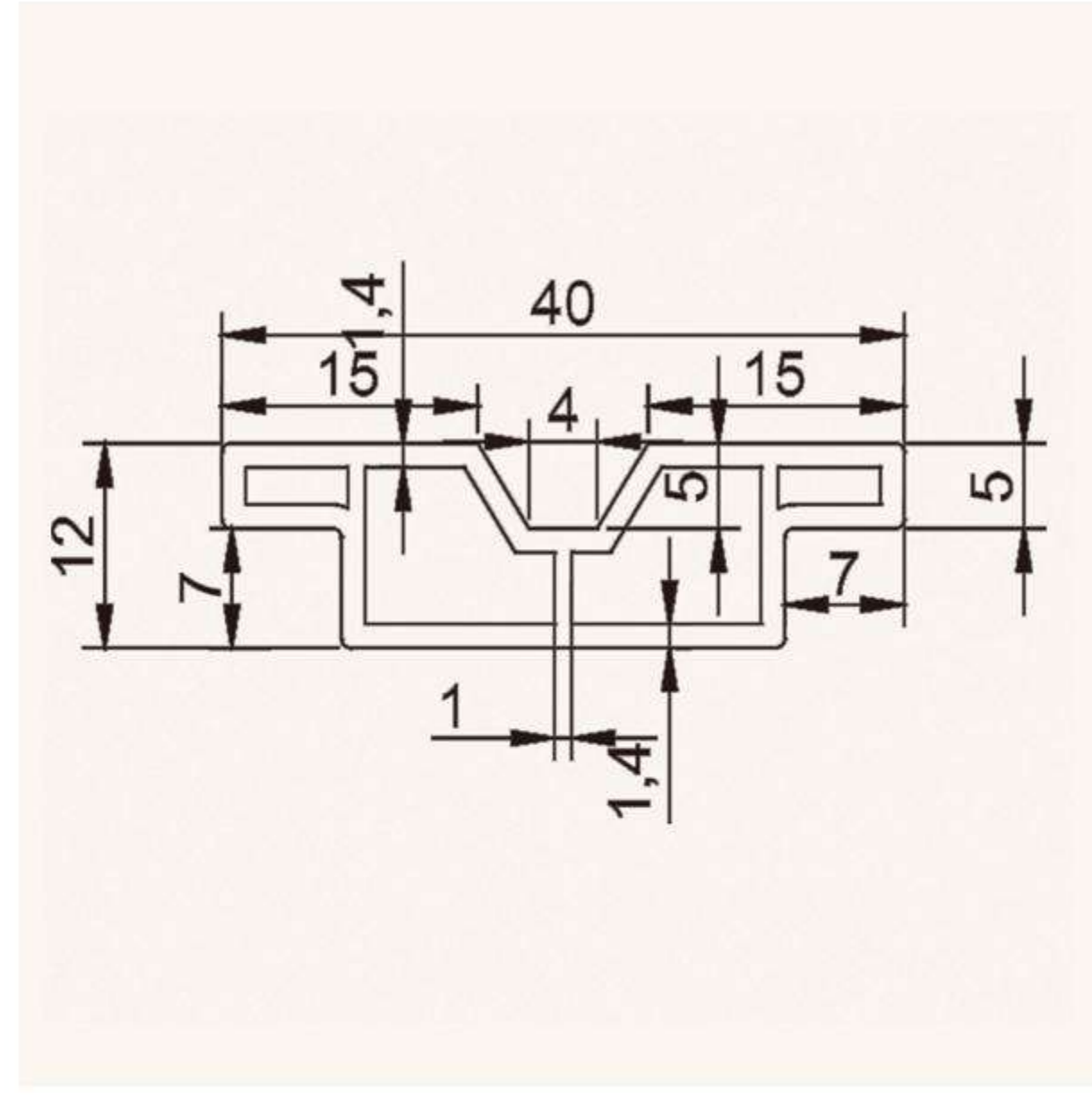
Skirting Board



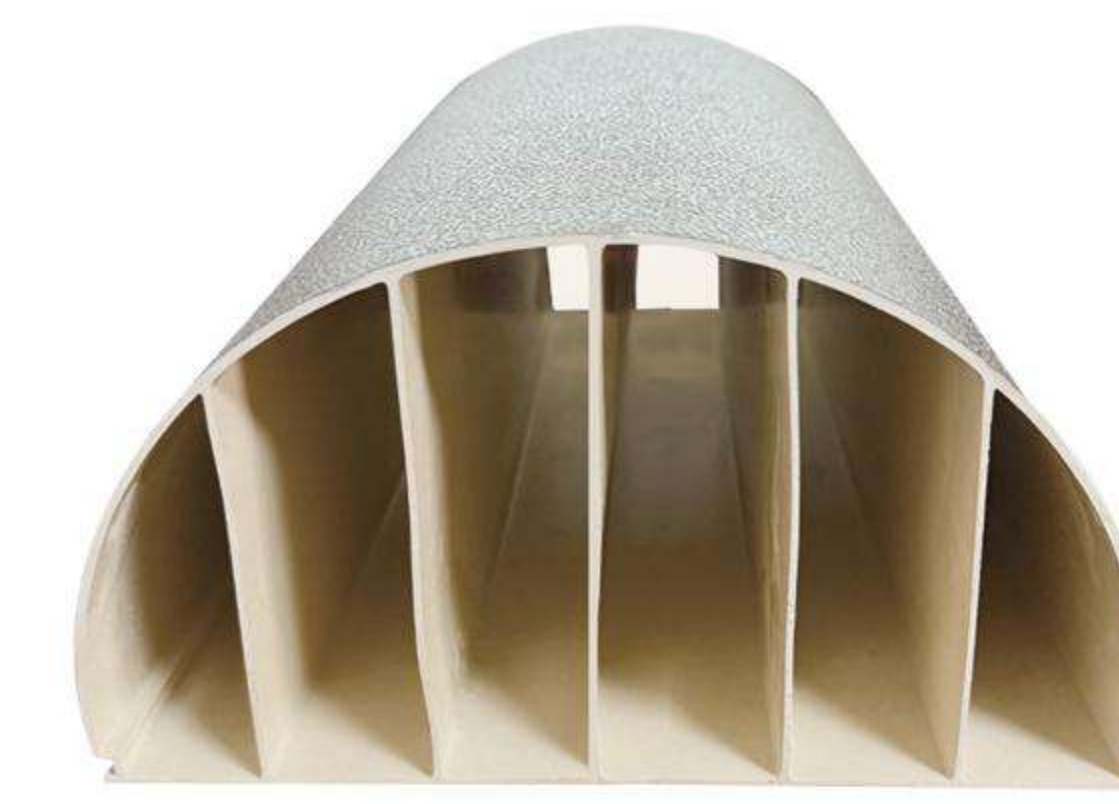
50*50mm



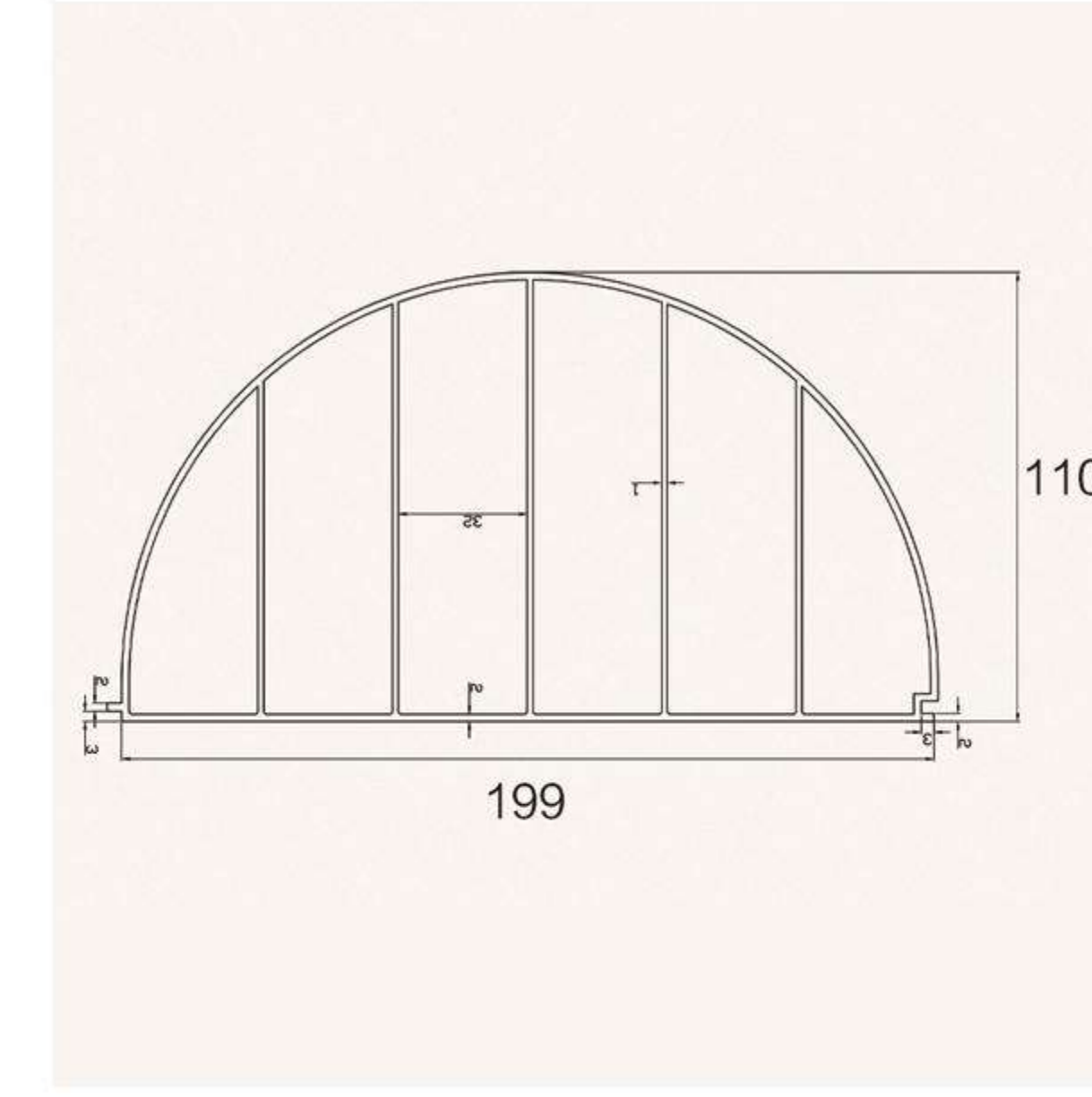
Flat Trim-2



60*12mm



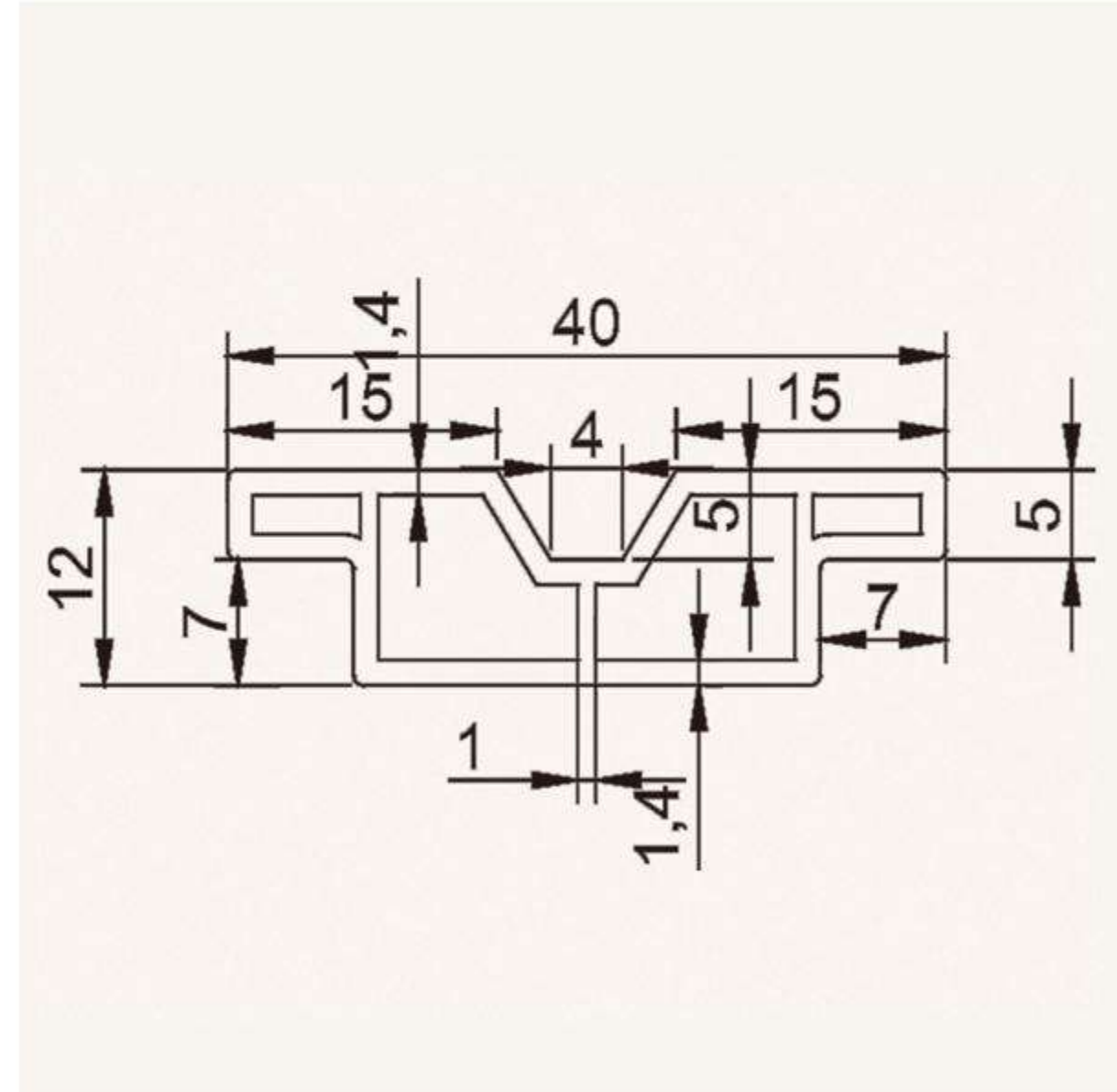
External Rounded Trim



110*199mm



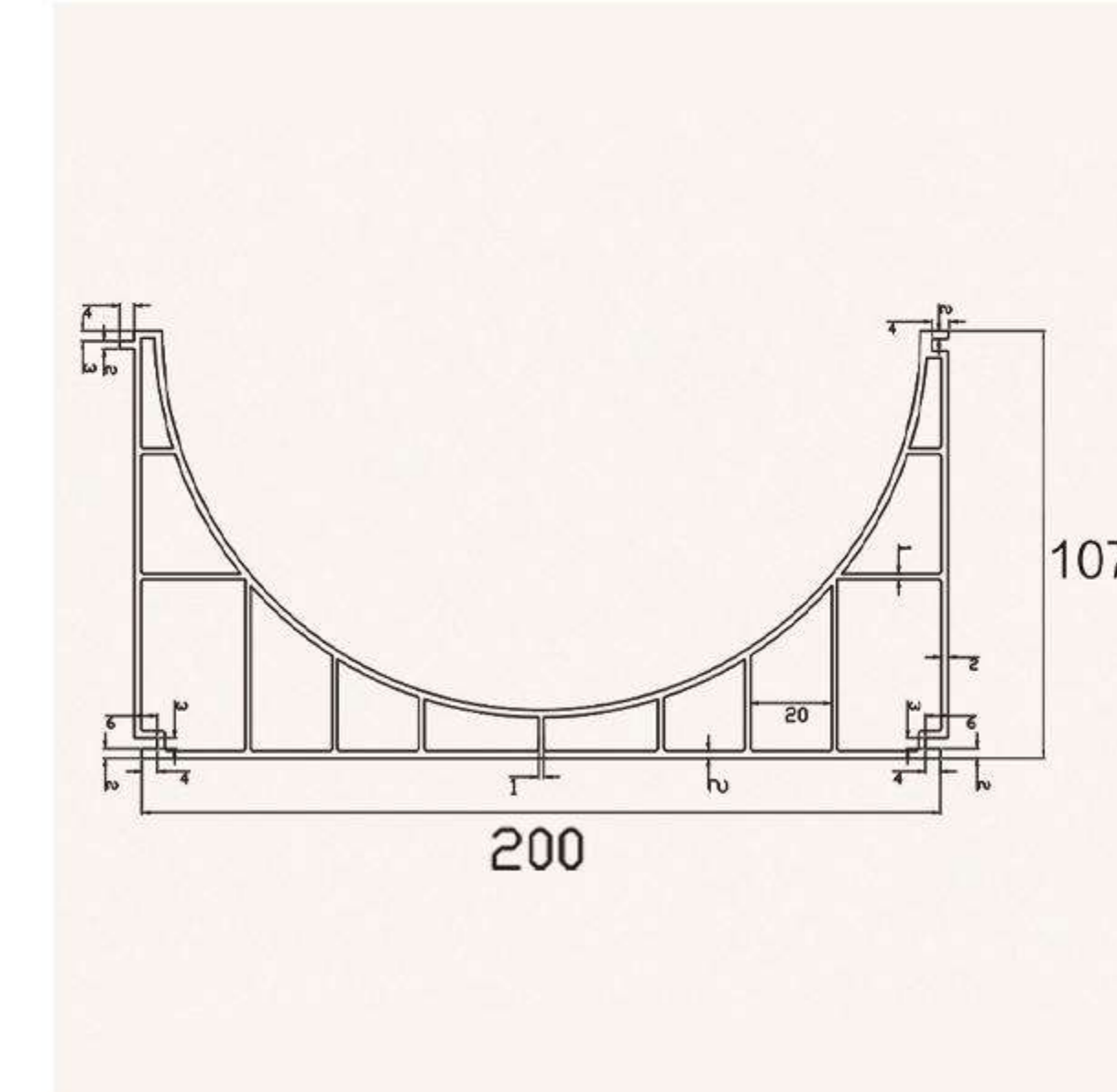
Universal Trim



15*12mm



Internal Rounded Trim



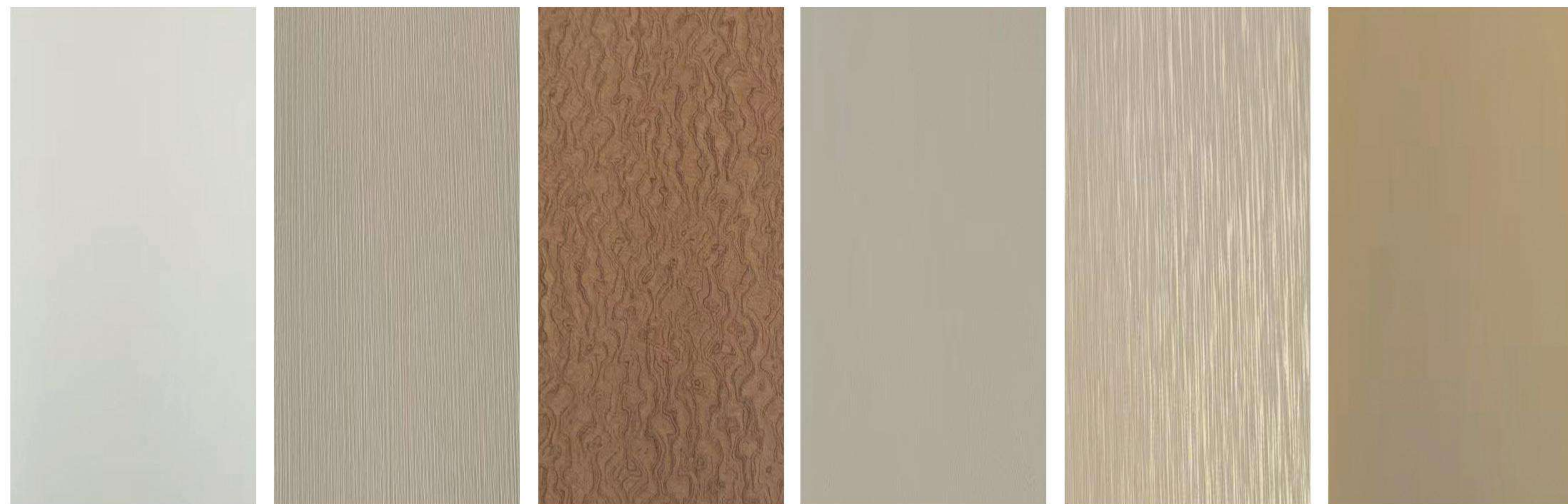
200*107mm



Hot Selling Colors



B-01 B-02 B-03 B-04 B-05 B-06



B-07 B-08 B-09 B-10 B-11 B-12

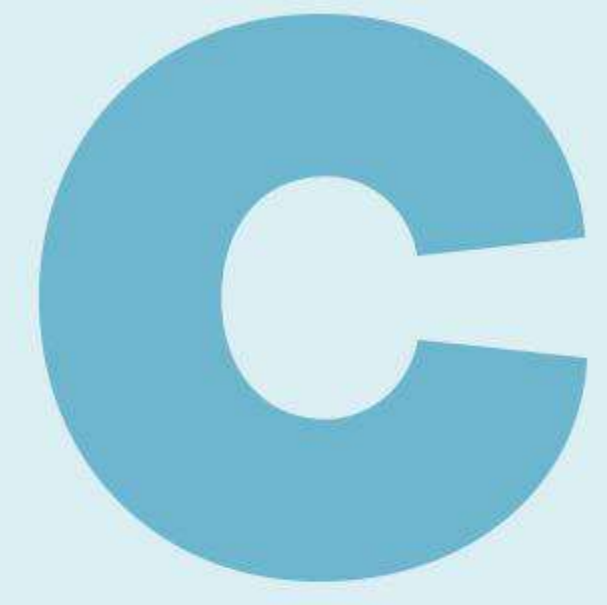


B-13 B-14 B-15 B-16 B-17 B-18





OUTDOOR SERIES



COMPOSITE CLADDING
It is a waterproof, lightweight, expandable rigid plastic wall panel.

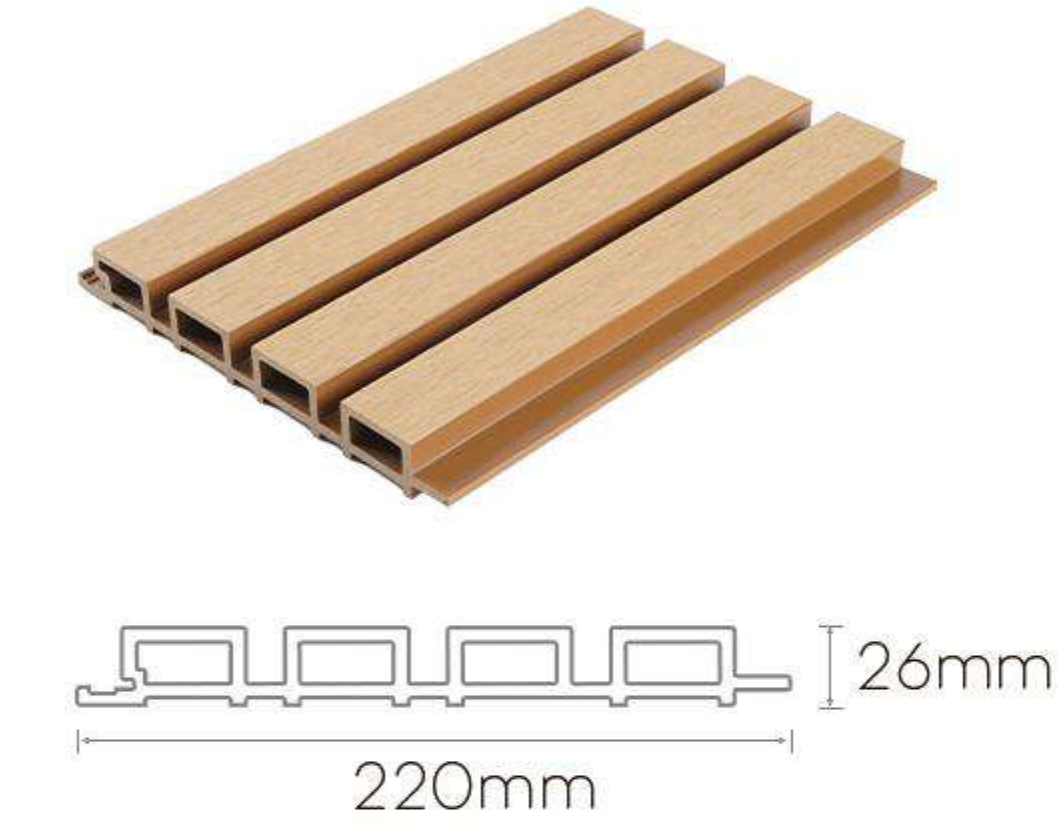
2026



WPC CLASSIC WALL PANEL

CSP22026A

W 220mm
H 26mm
L 2900mm



CSP14821A

W 148mm
H 21mm
L 2900mm



CSP15520A

W 155mm
H 20mm
L 2900mm



Surface Texture



2D Wood Grain



3D Wood Grain



Flat



WPC CO-EXTRUSION WALL PANEL

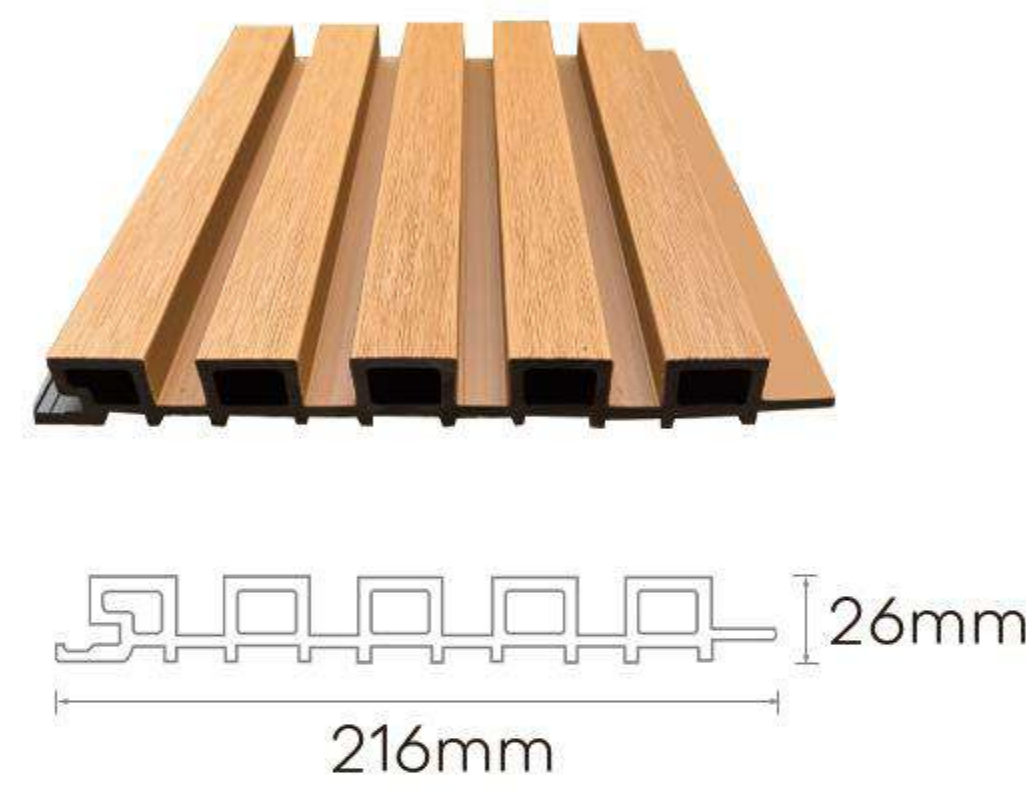
CSP22026B

W 220mm
H 26mm
L 2900mm



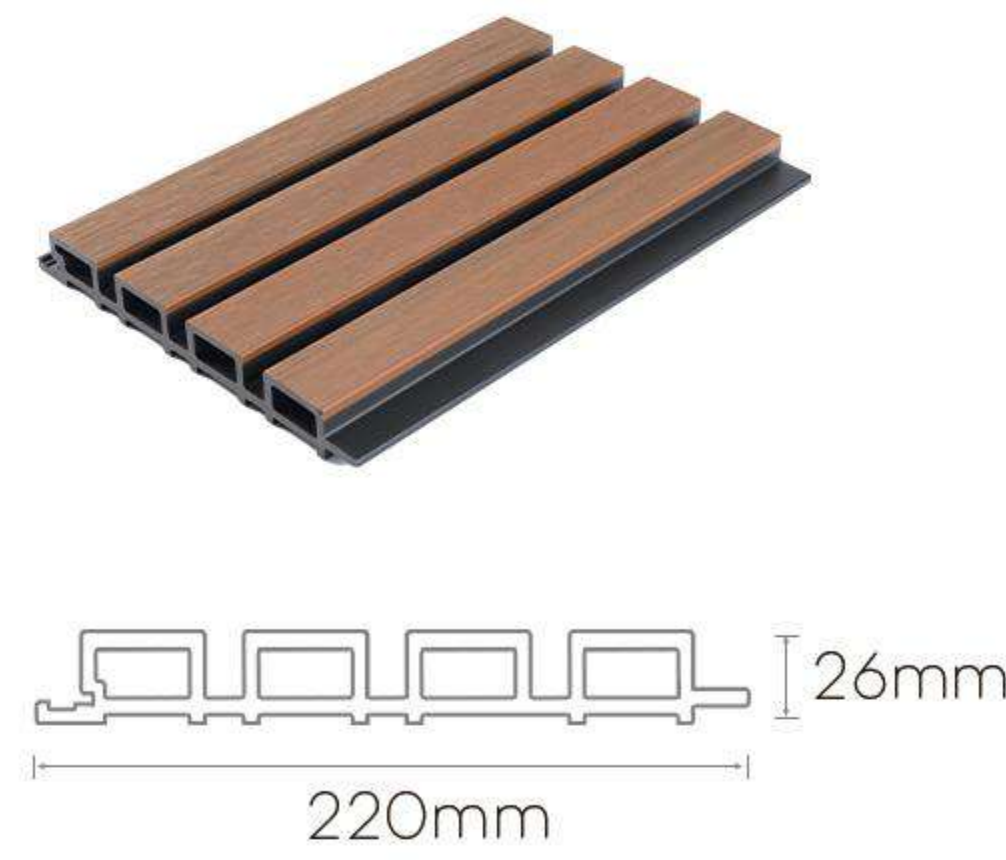
CSP21626

W 216mm
H 26mm
L 2900mm



CSP22026BH

W 220mm
H 26mm
L 2900mm



CSP15520B

W 155mm
H 20mm
L 2900mm



Hot Selling Colors



Wood Grain



Embossed



Light Gray



Silver Gray



Grey



Yellowish Brown



Brown



Rosewood



Claret



Teak



Teak Flow Pattern



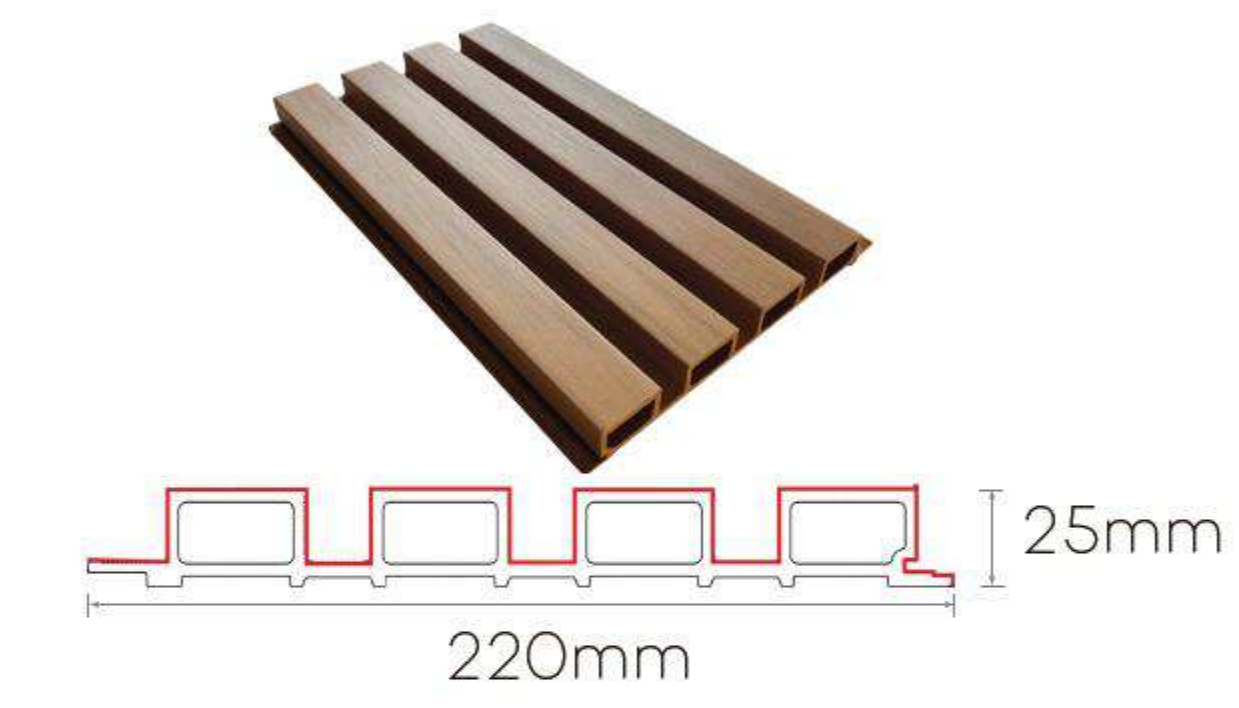
Black



ASA COMPOSITE CLADDING

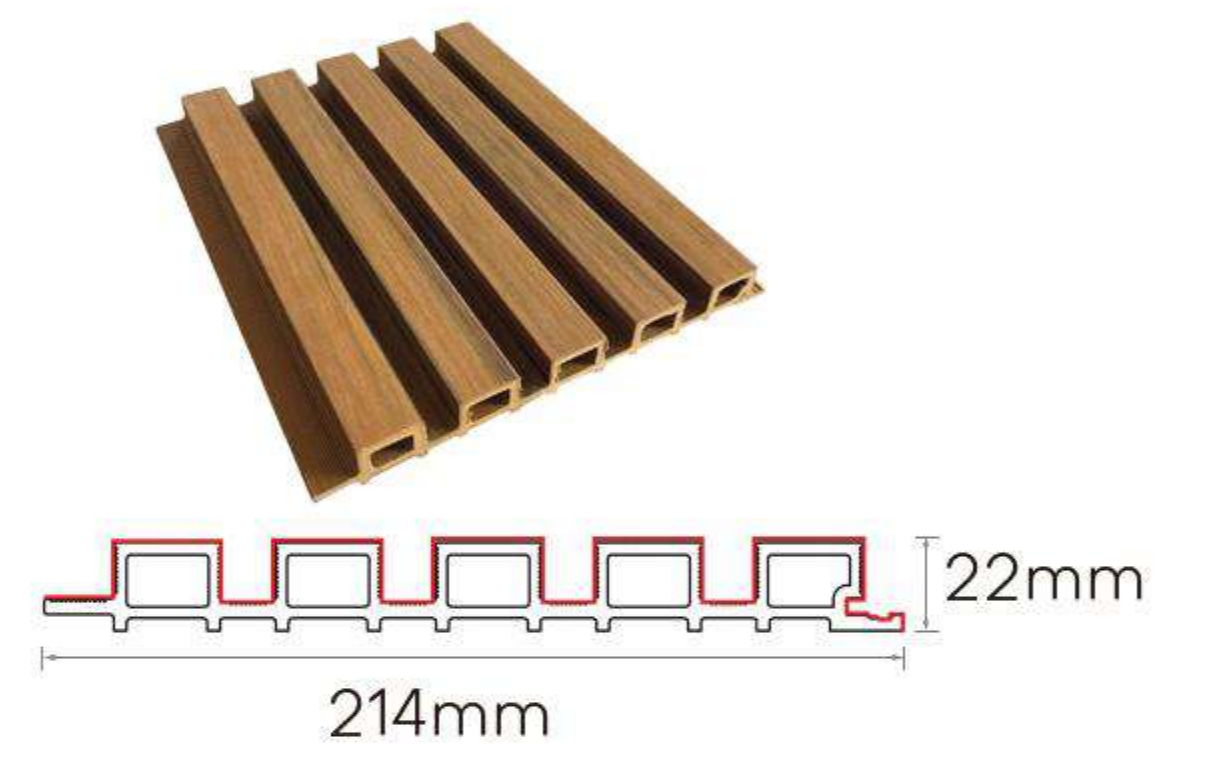
ASA22025

W 220mm
H 25mm
L 2900mm



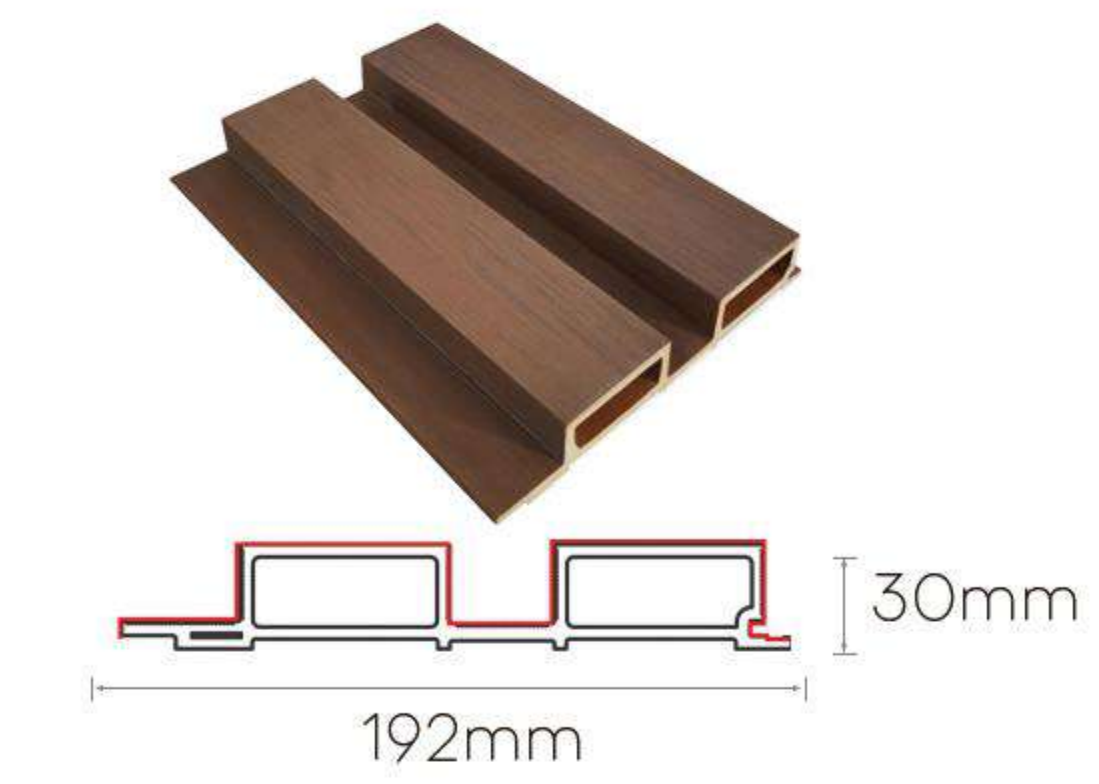
ASA21422

W 214mm
H 22mm
L 2900mm



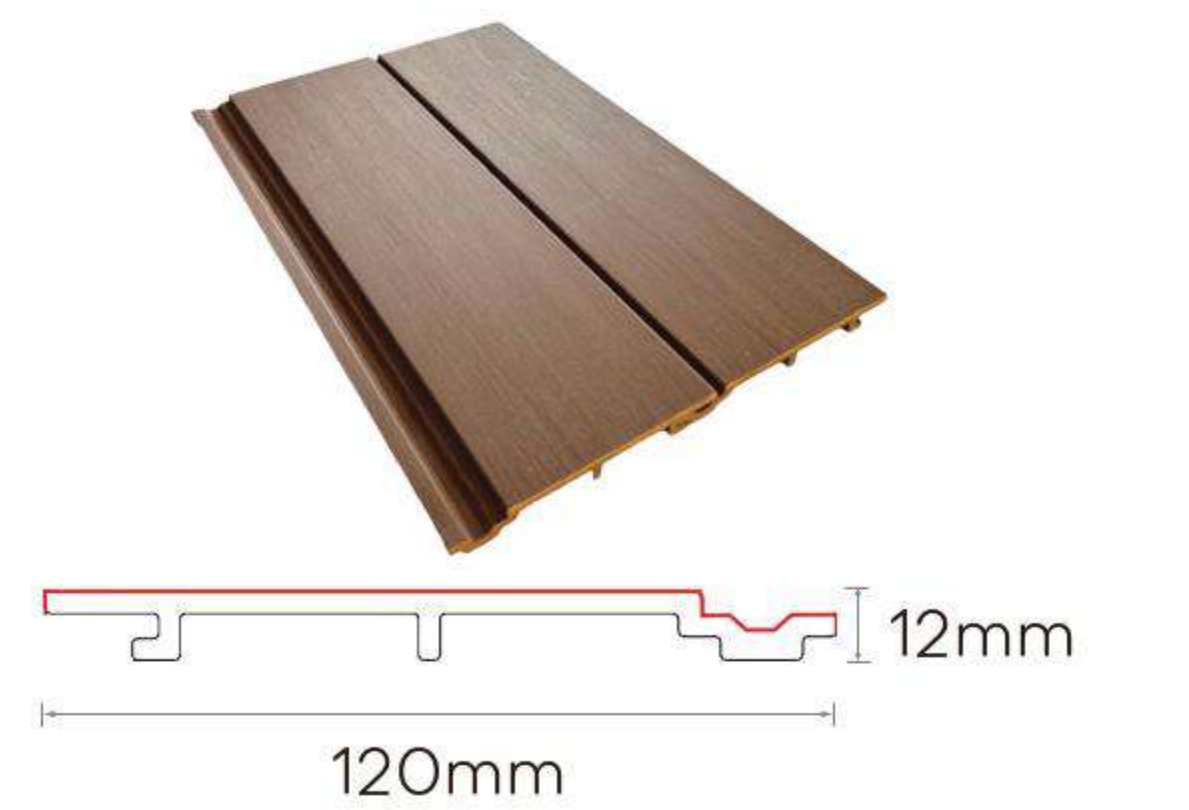
ASA19230

W 192mm
H 30mm
L 2900mm



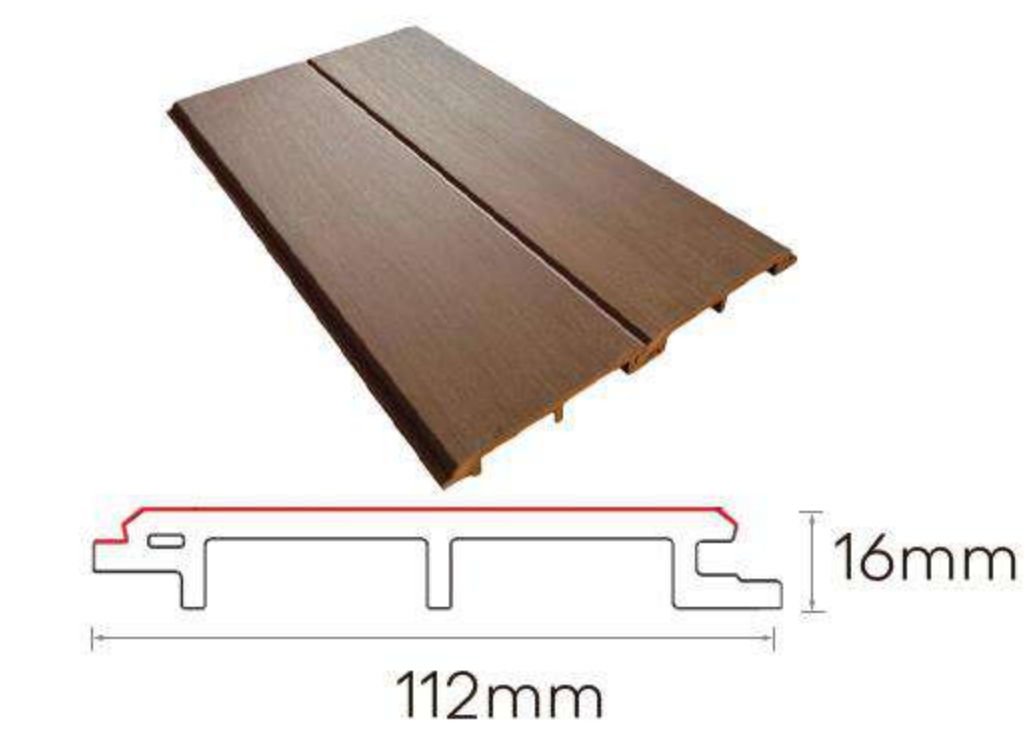
ASA12012

W 120mm
H 12mm
L 2900mm



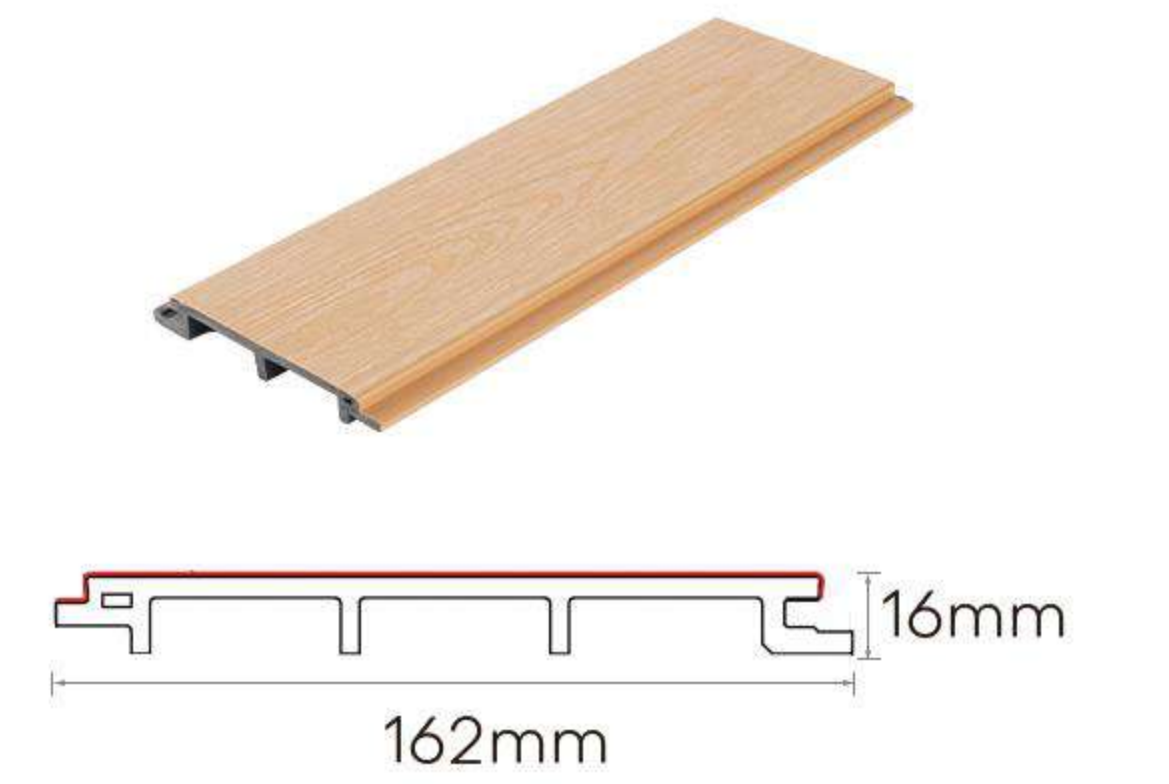
ASA11216

W 112mm
H 16mm
L 2900mm



ASA16216

W 162mm
H 16mm
L 2900mm



Hot Selling Colors



W.OAK.



B.WALNUT



CW



SG



GSW



IPIL



SA.WALNUT



EW

Installation



1. Fix the studs to the wall.



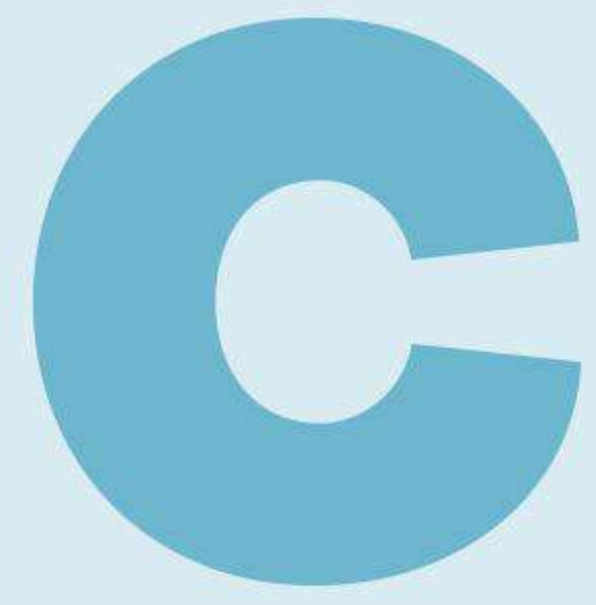
2. Secure the product to the studs.



3. Arrange the product in a front-to-back order.



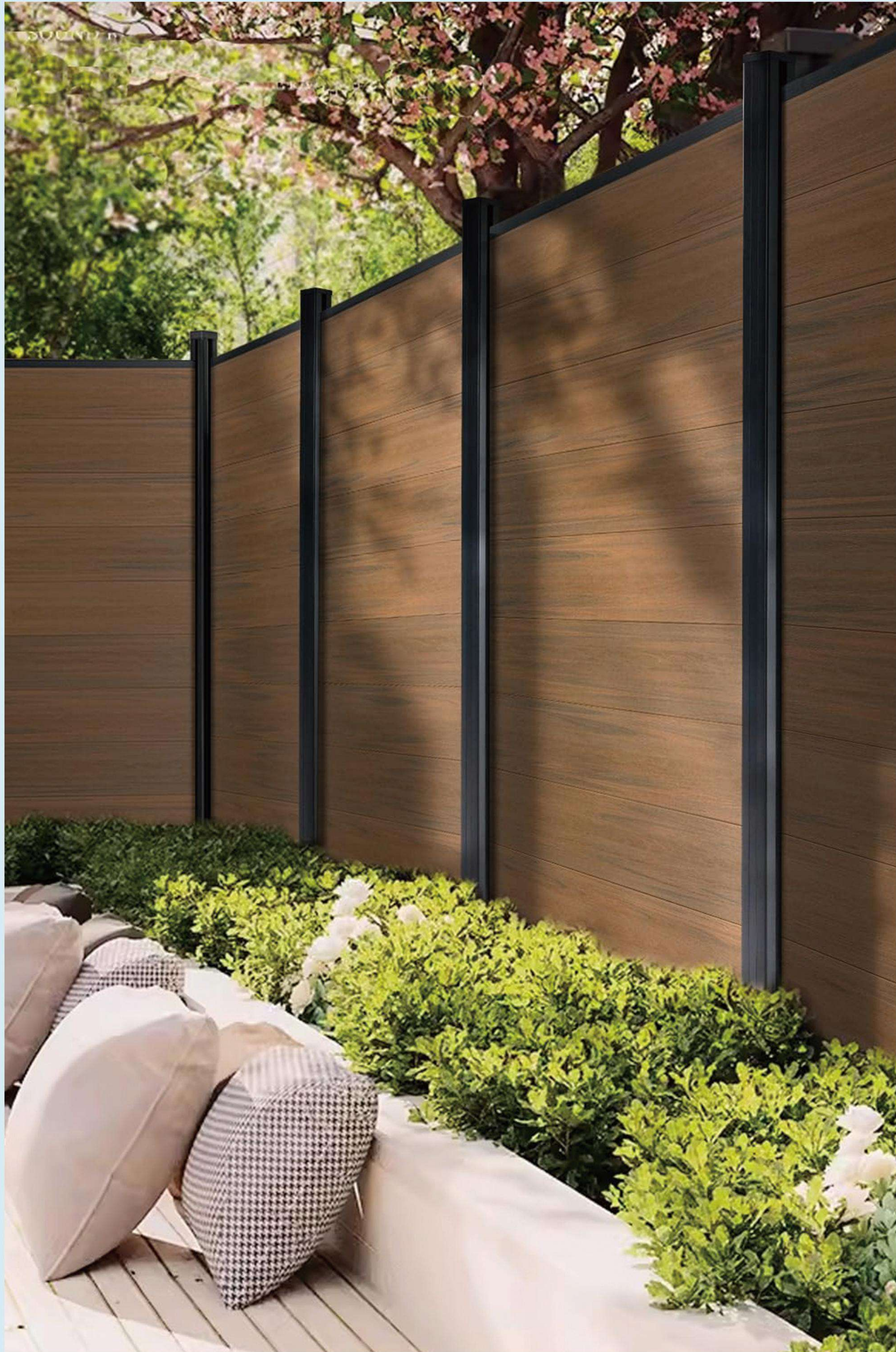
4. Installation is complete.



It is a waterproof, lightweight, expandable rigid plastic fence.

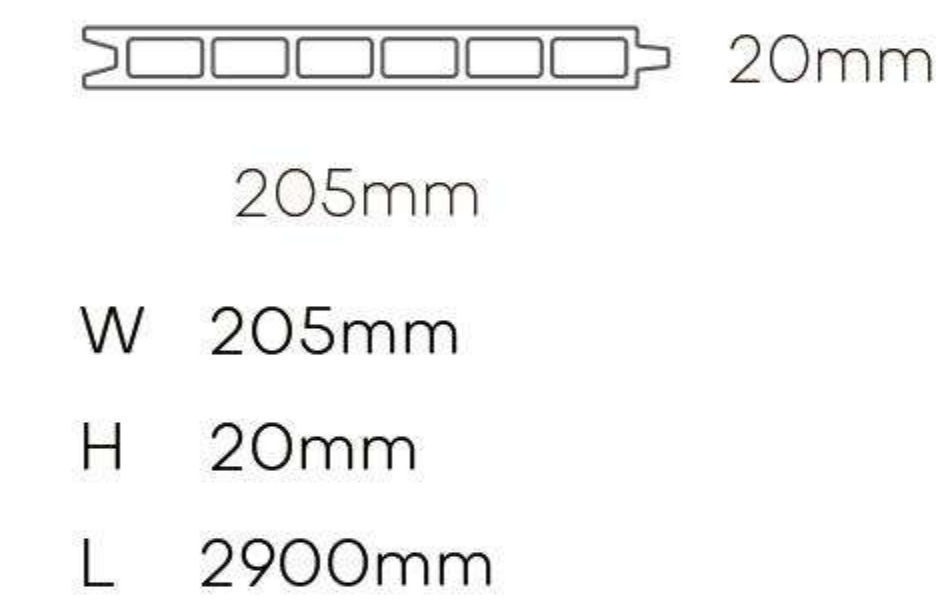
COMPOSITE FENCE

2026



WPC CLASSIC FENCE

CSF20520



Brown



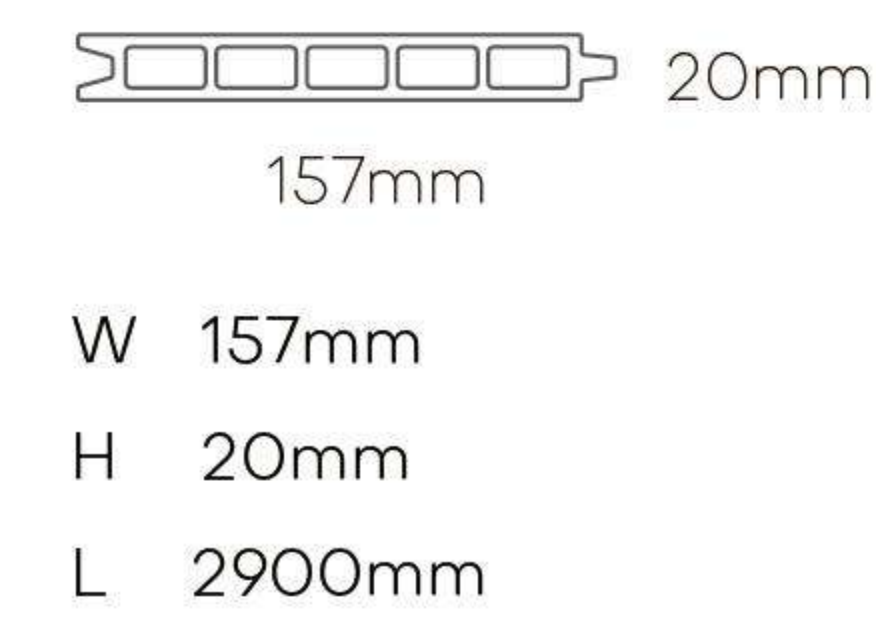
Traffic Grey



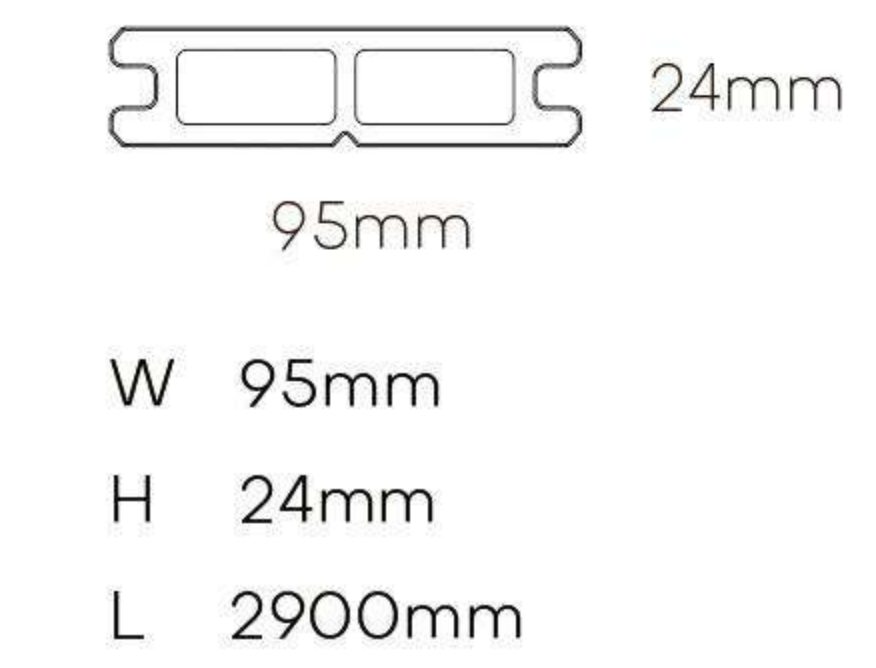
Original Wood

WPC CO-EXTRUSION FENCE

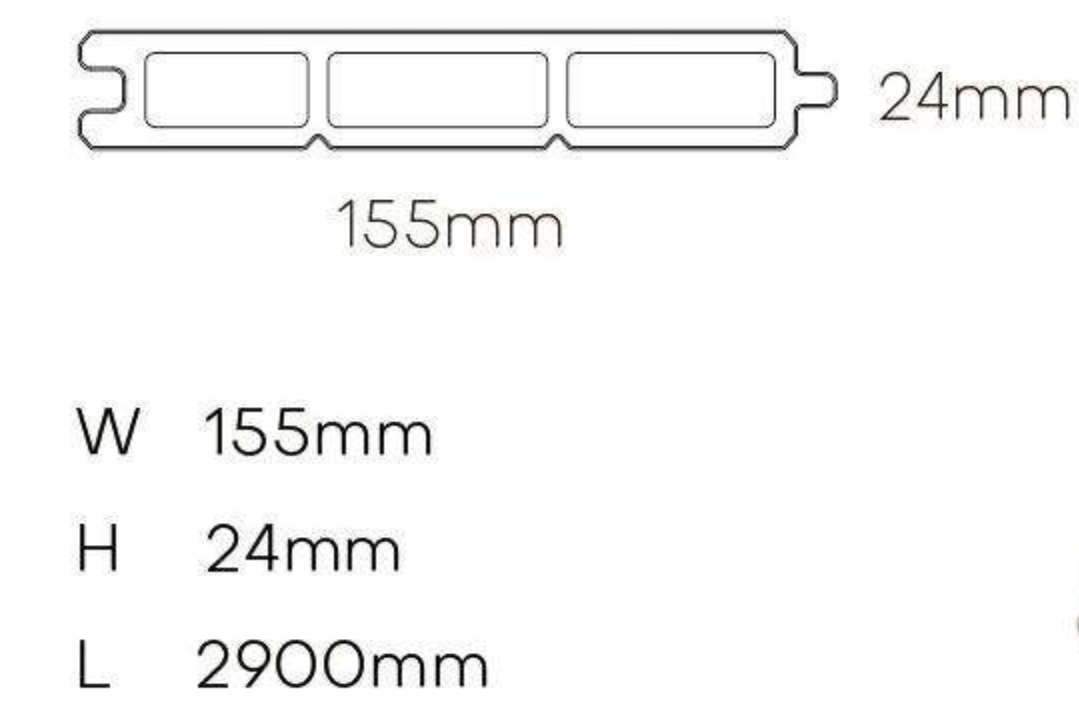
CSF15720



CSF9524

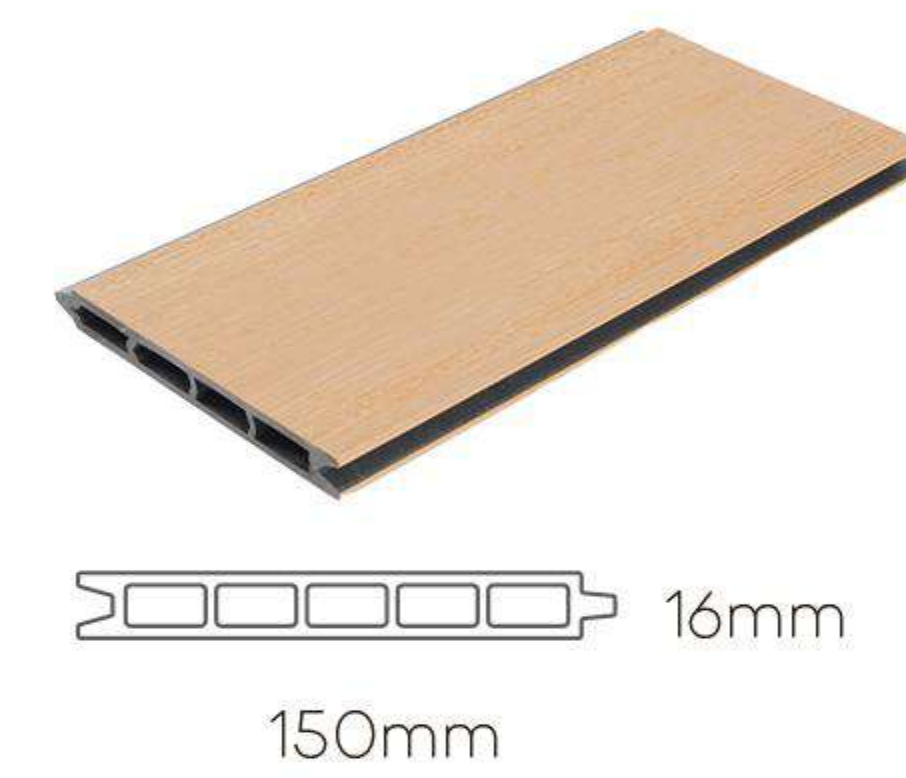


CSF15524



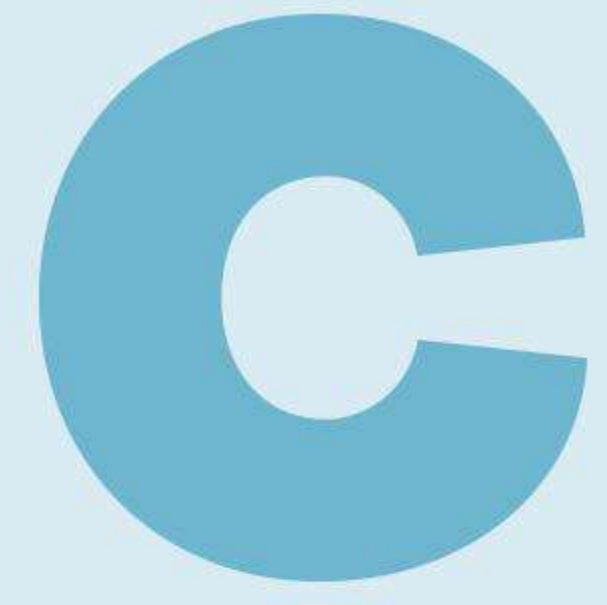
ASA FENCE

ASA15016



W 150mm
H 16mm
L 2900mm





It is a waterproof, lightweight, and expandable wall covering material.

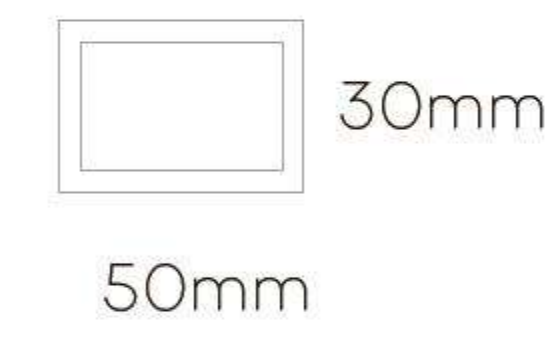
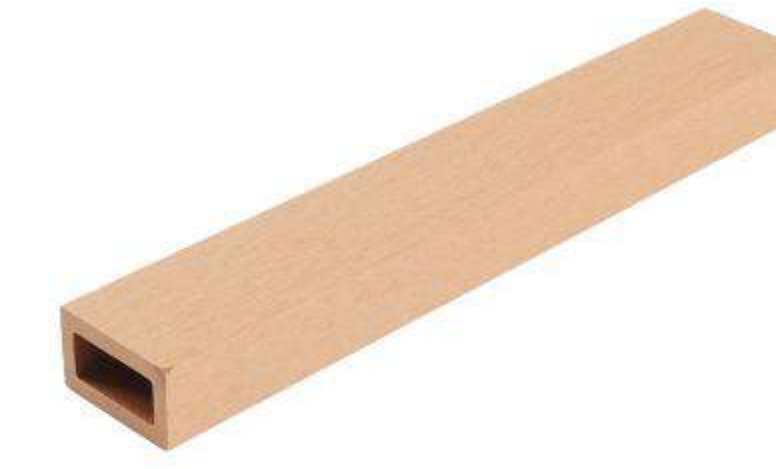
COMPOSITE TIMBER TUBE

2026



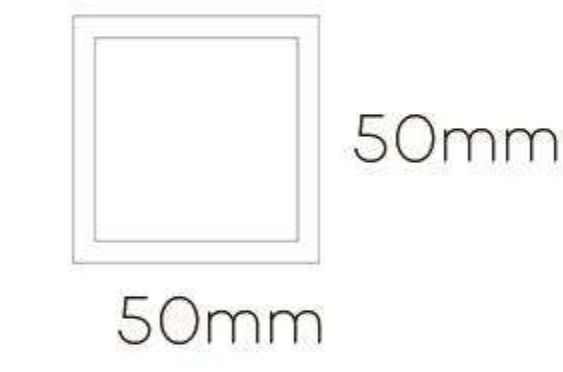
WPC CLASSIC TIMBER TUBE

CSP3050A



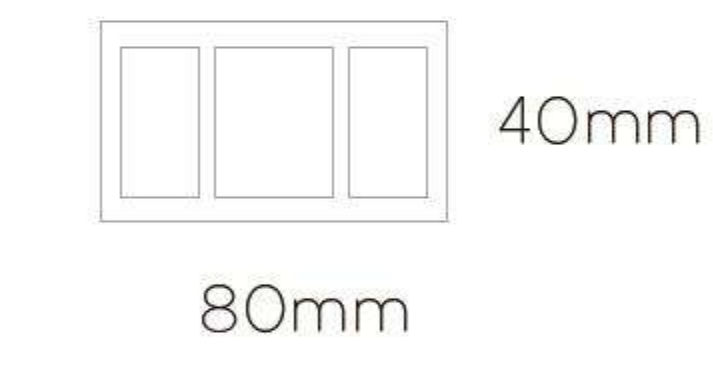
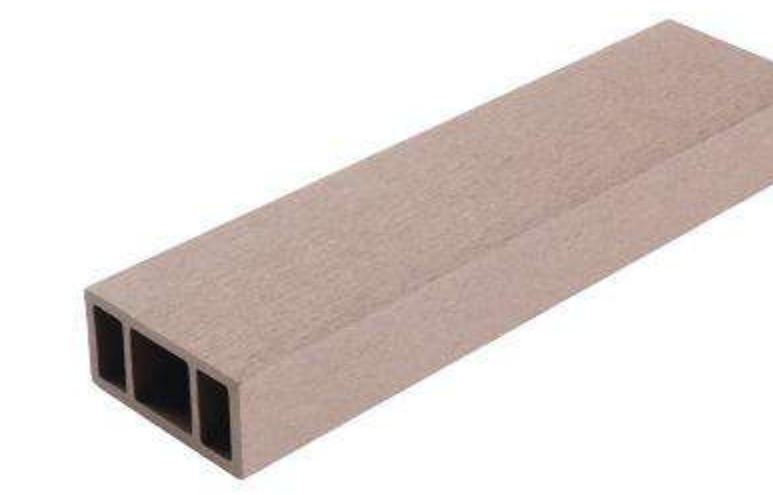
W 50mm
H 30mm

CSP5050A



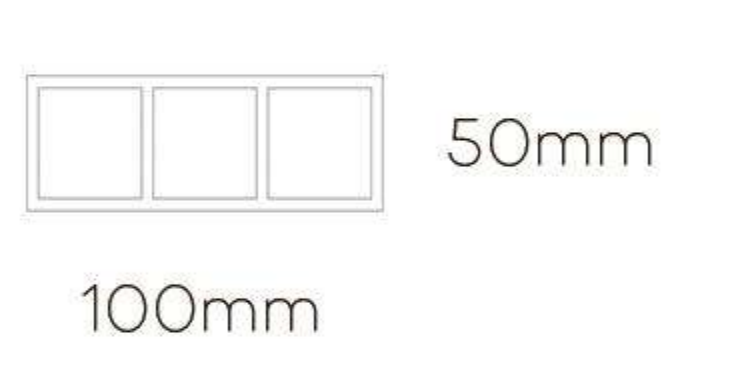
W 50mm
H 50mm

CSP4080A



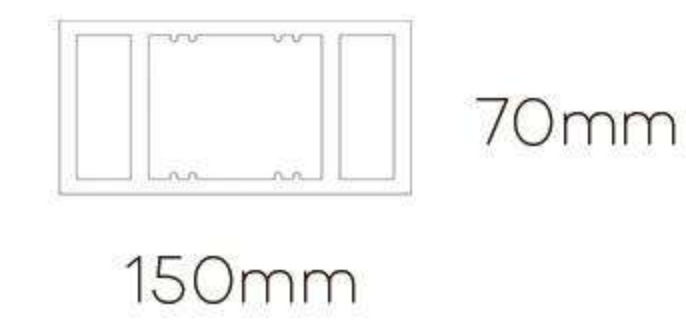
W 80mm
H 40mm

CSP50100A



W 100mm
H 50mm

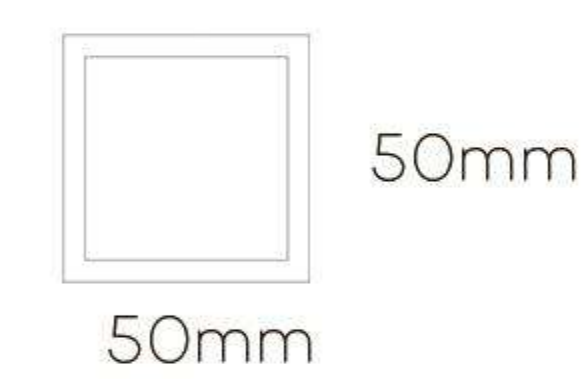
CSP70150A



W 150mm
H 70mm

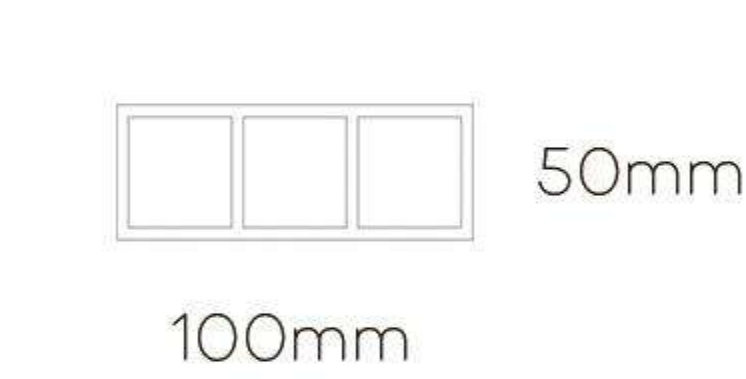
CO-EXTRUSION TIMBER TUBE

CSP5050B

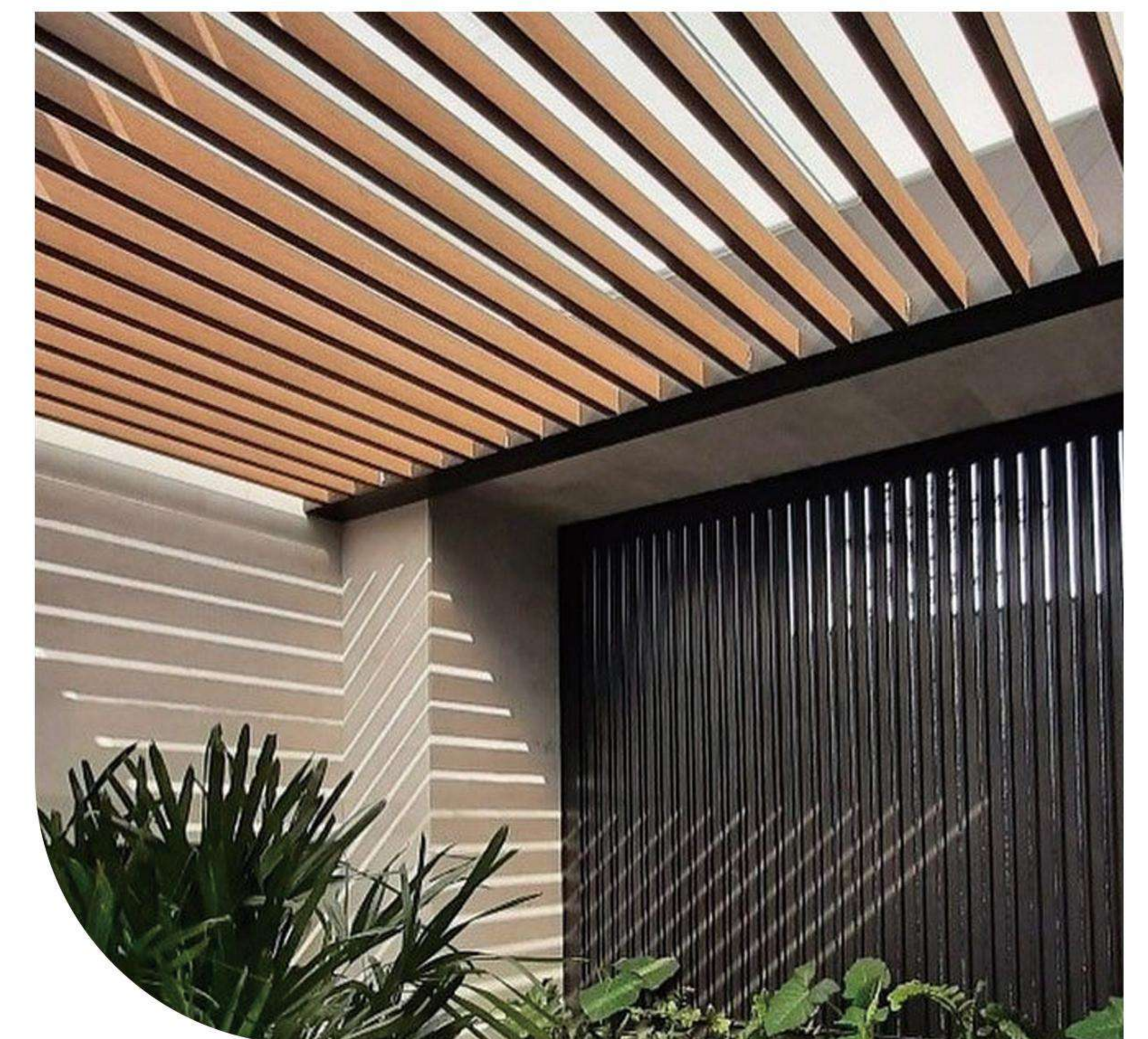


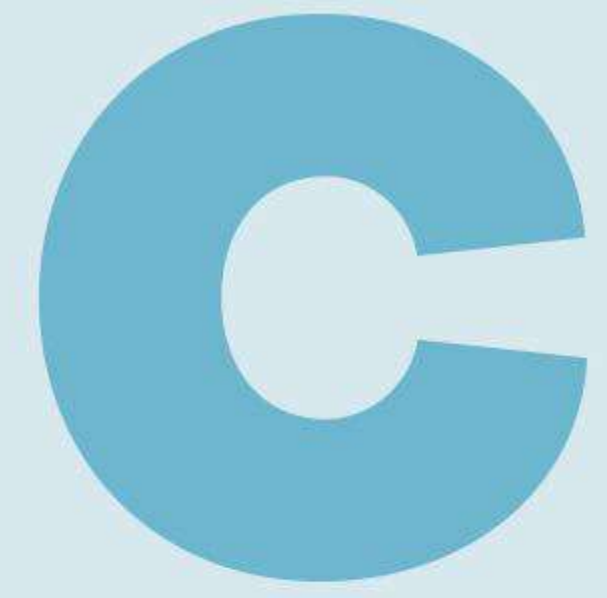
W 50mm
H 50mm

CSP50100B



W 100mm
H 50mm





COMPOSITE DECKING

It is a waterproof, lightweight, and expandable outdoor product.

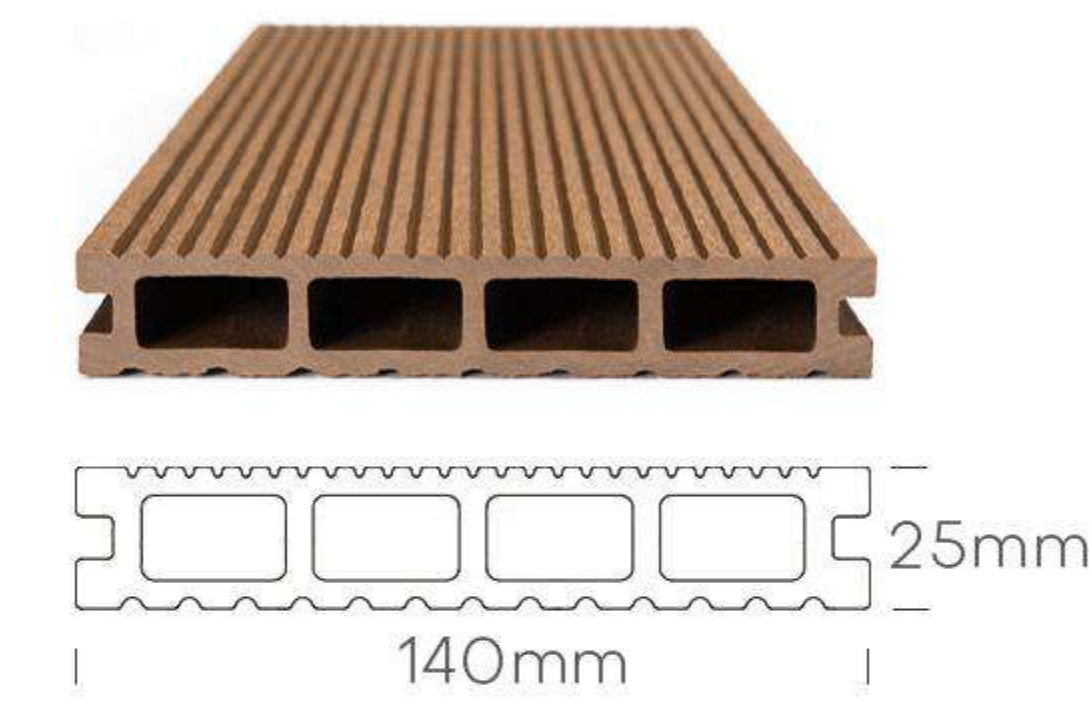
2026



WPC CLASSIC DECKING

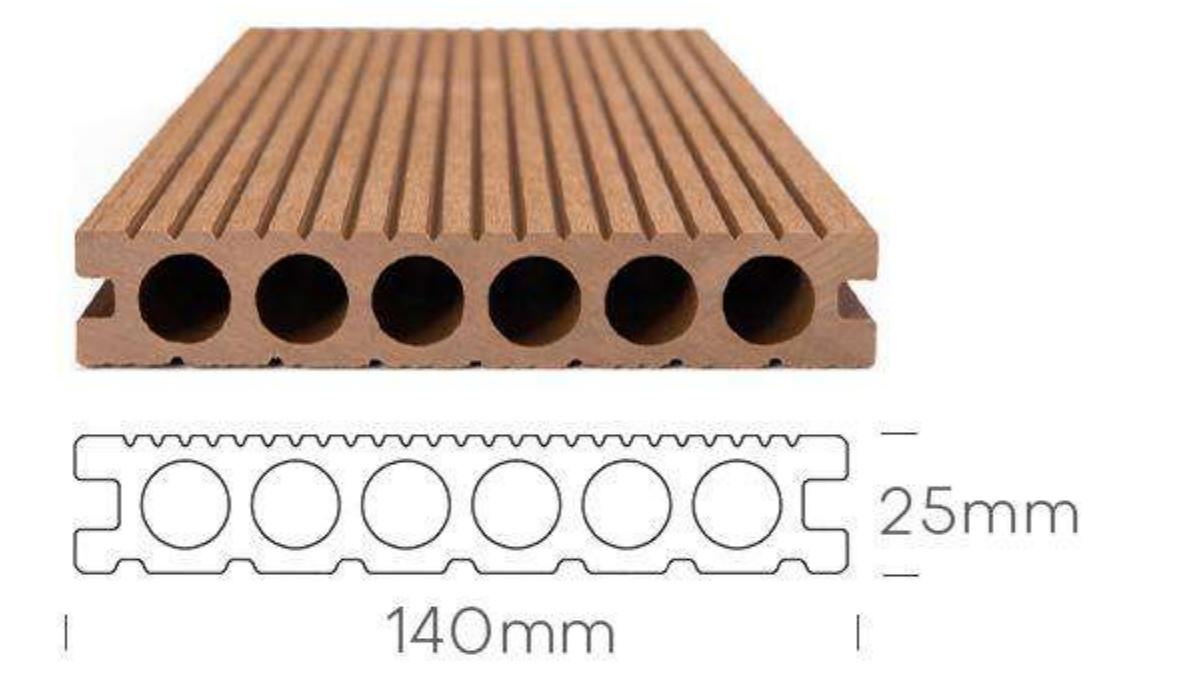
CSD14025AS

W 140mm
H 25mm
L 2900mm



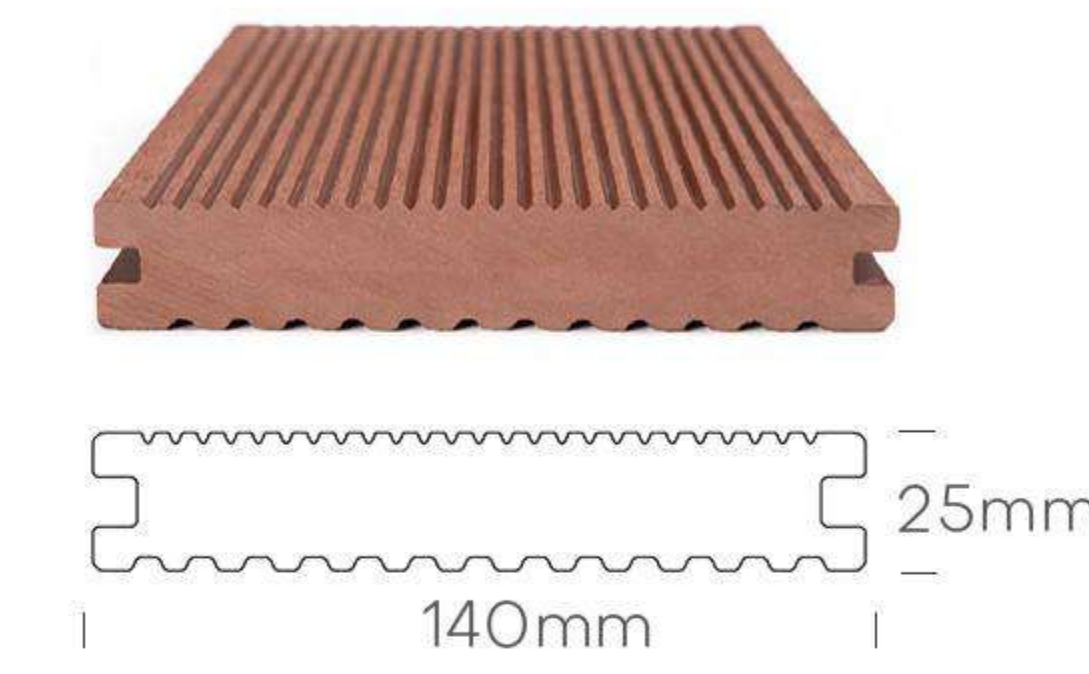
CSD14025AR

W 140mm
H 25mm
L 2900mm



CSD14025A

W 140mm/150mm
H 25mm
L 2900mm



CSD14025

W 140mm
H 25mm
L 2900mm



CSD15025

W 150mm
H 25mm
L 2900mm



Surface Texture



Stripe



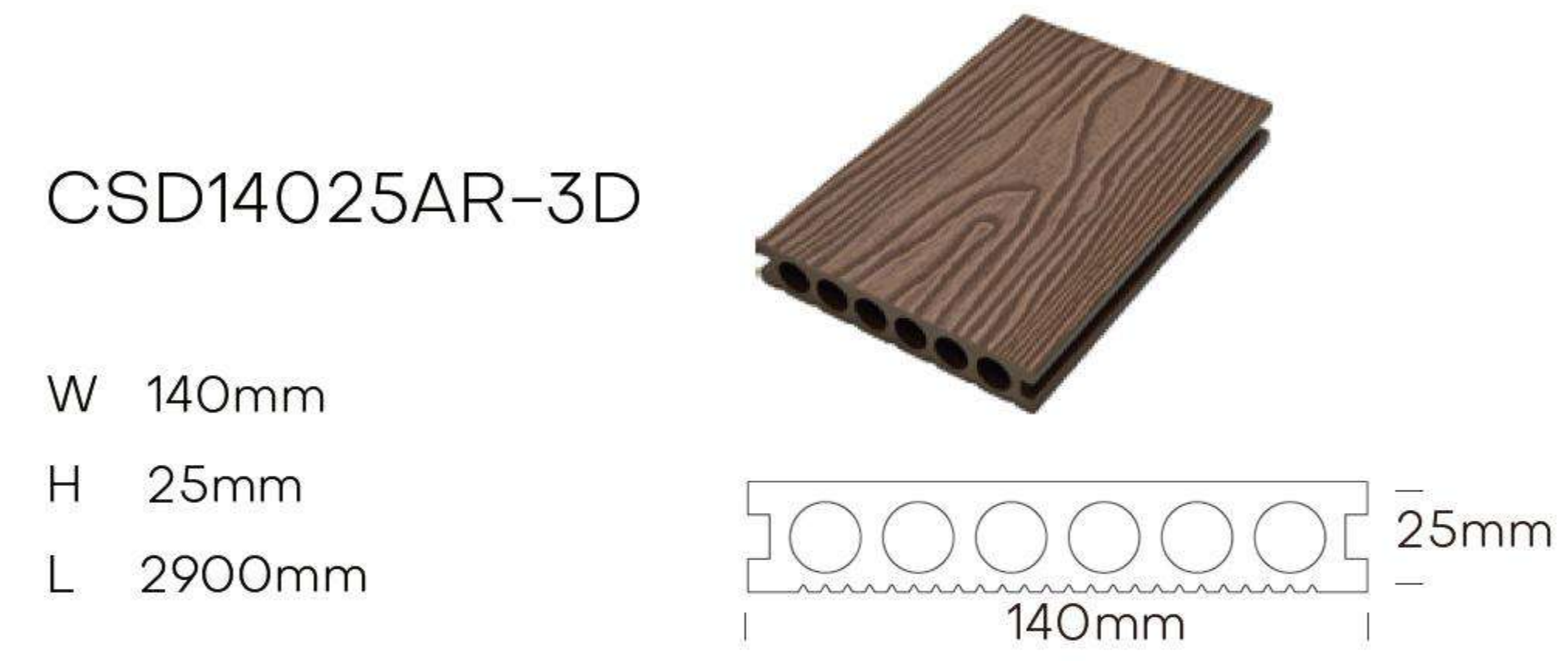
2D Wood Grain



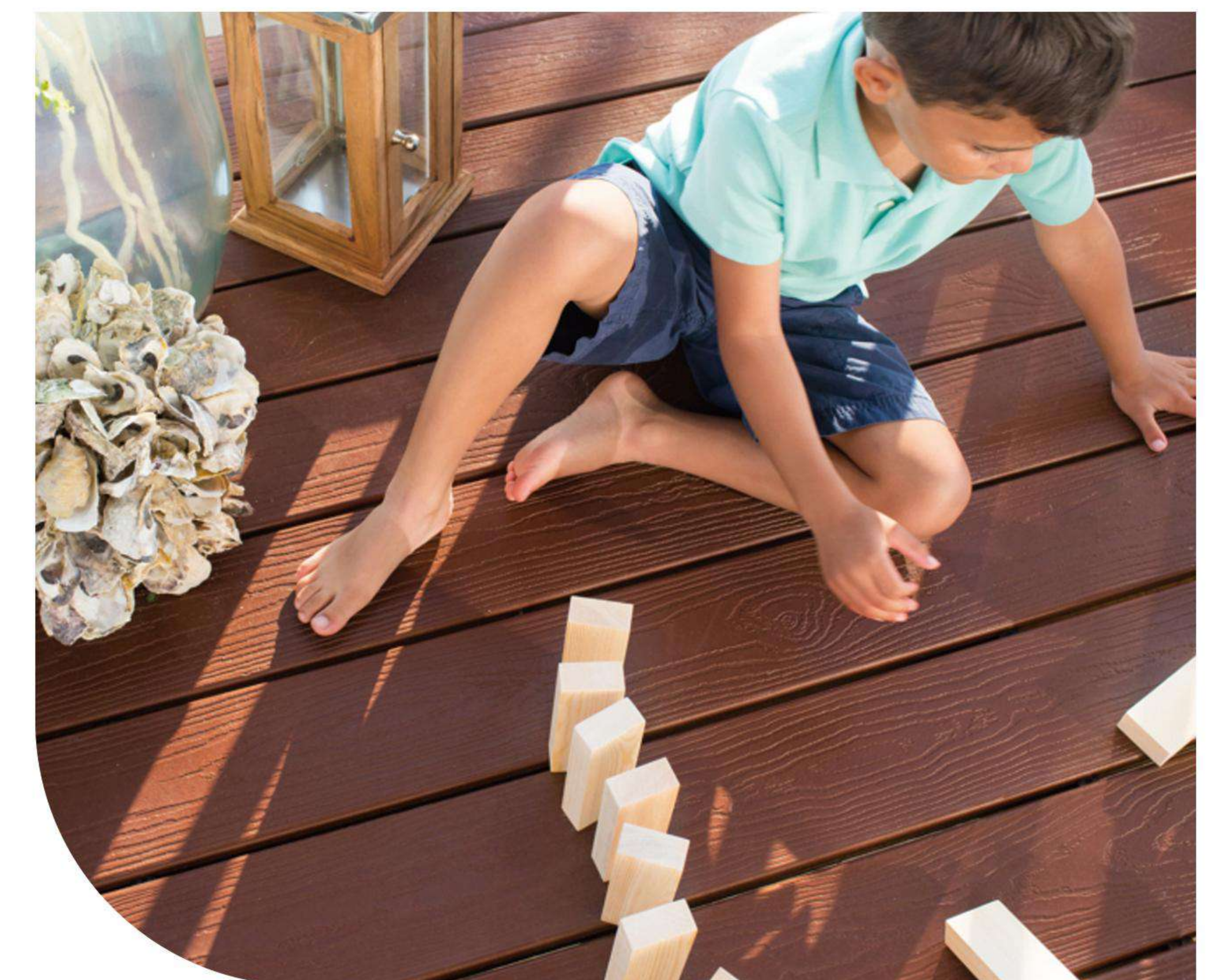
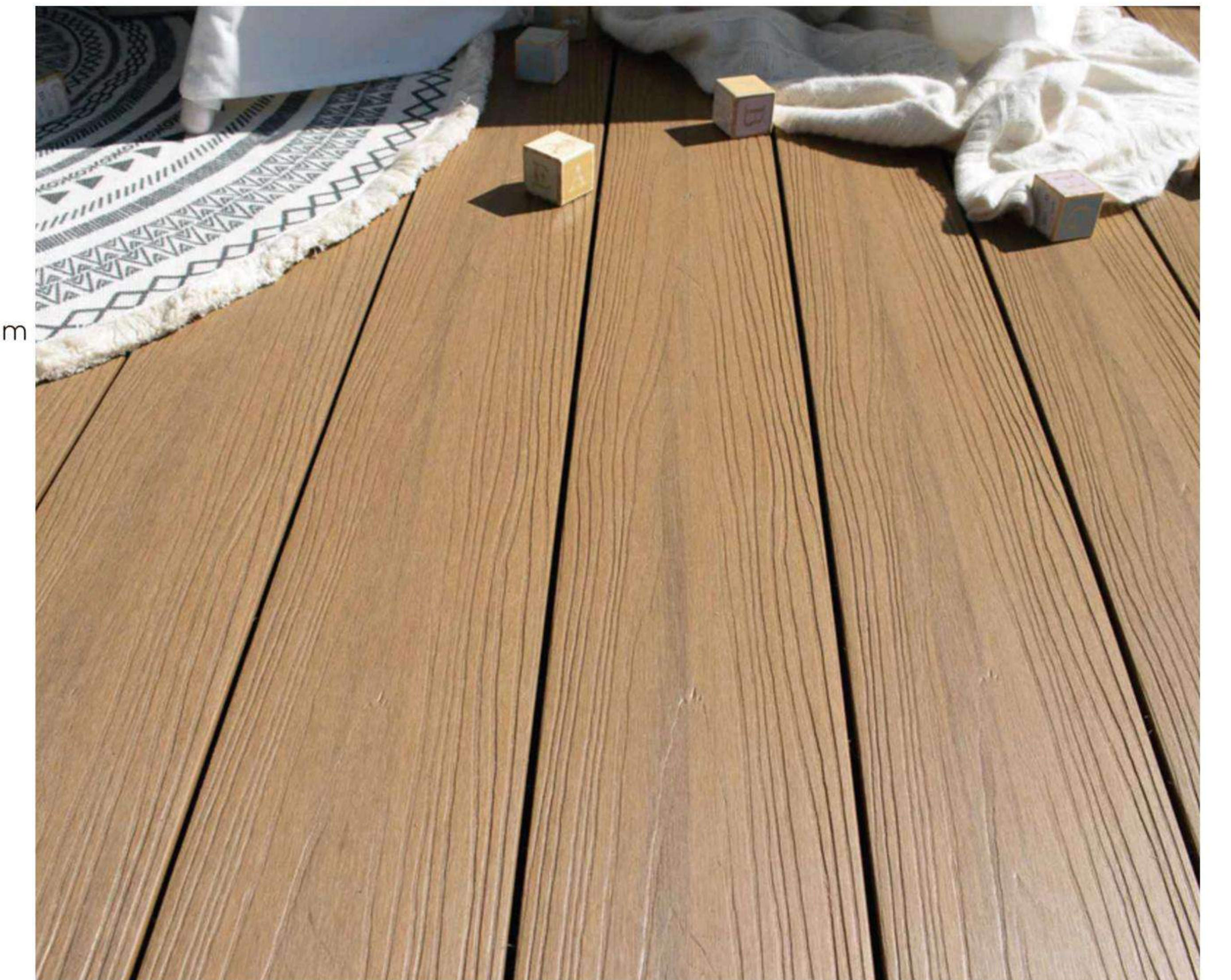
3D Wood Grain



WPC 3D EMBOSSED DECKING



WPC CO-EXTRUSION DECKING

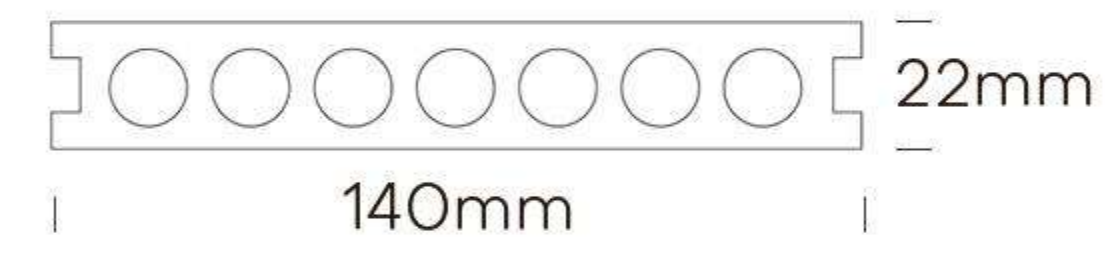


ASA COMPOSITE DECKING

ASA14O22R



W 140mm
H 22mm
L 2900mm



ASA14O22



W 140mm
H 22mm
L 2900mm



Surface Texture



Hot Selling Colors



W.OAK.



B.WALNUT



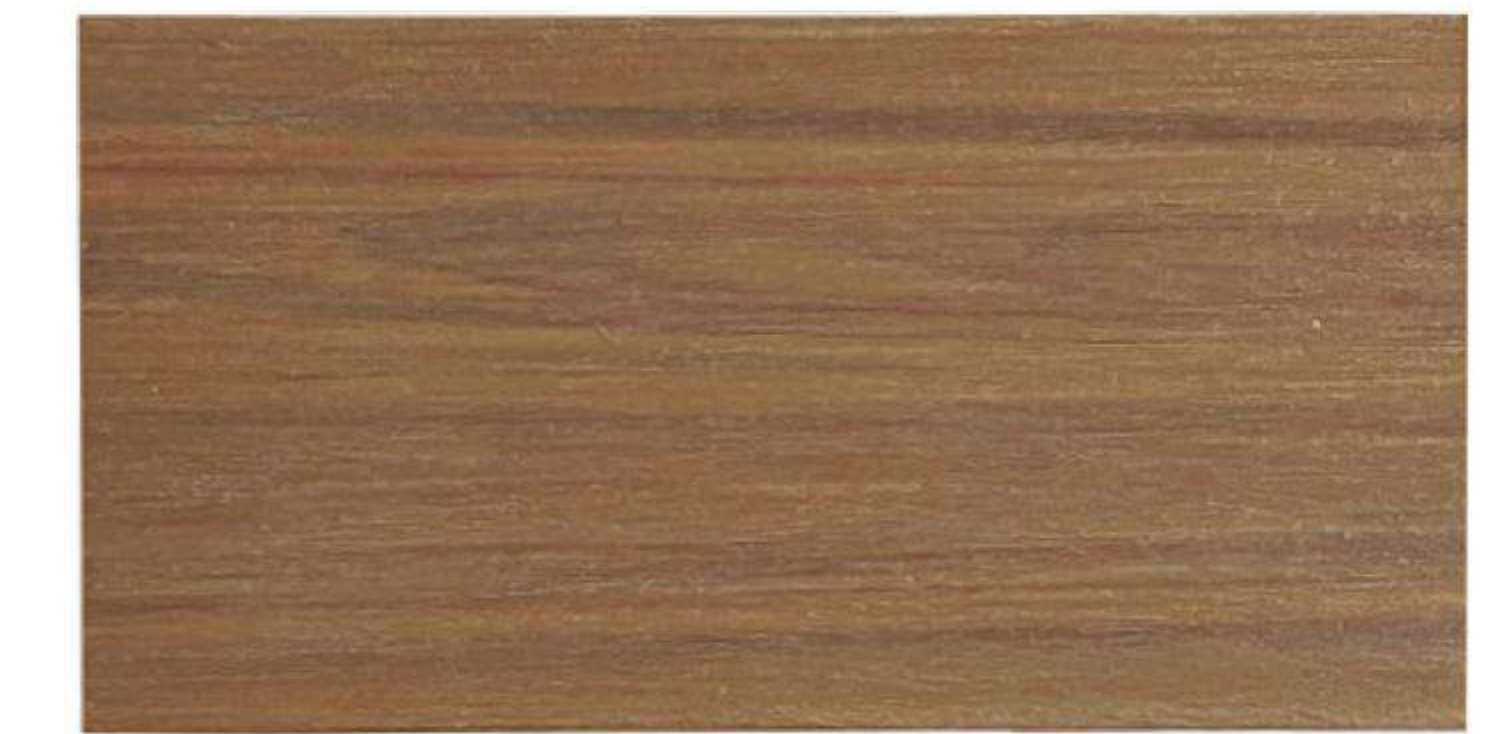
CW



SG



GSW



IPIL



SA.WALNUT



EW

Accessories



WPC Keel



A-1

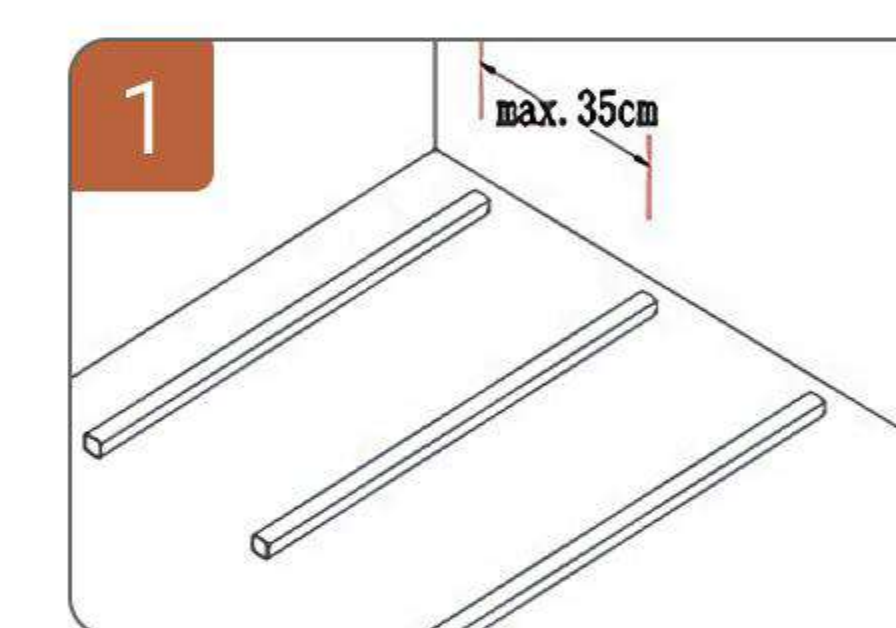


Plastic Buckle

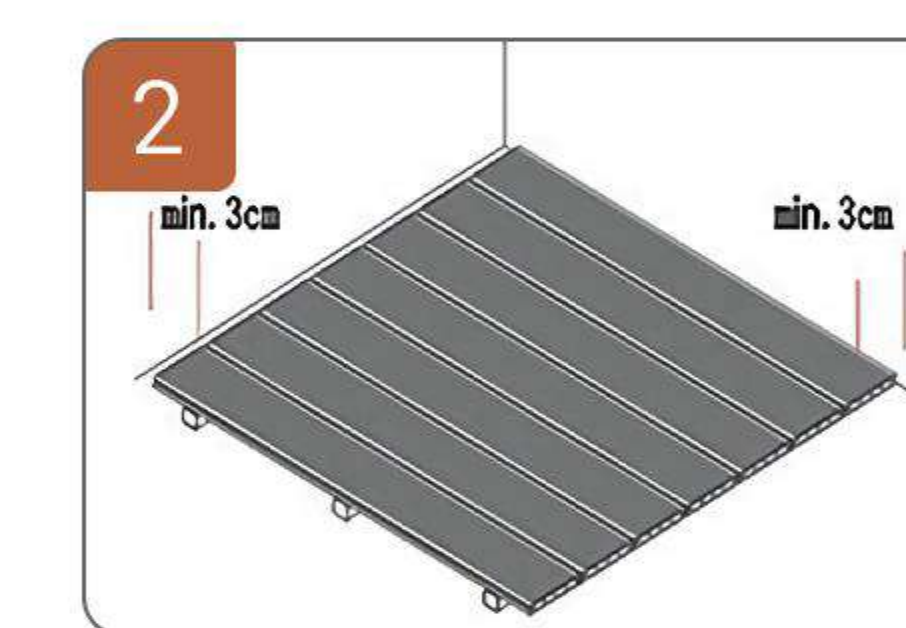


Galvanized Clip

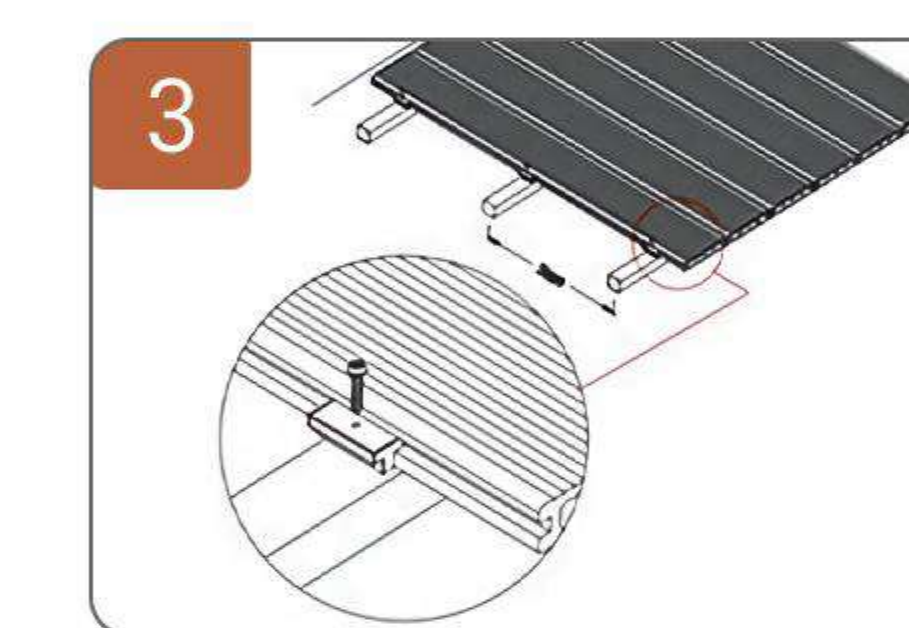
Installation



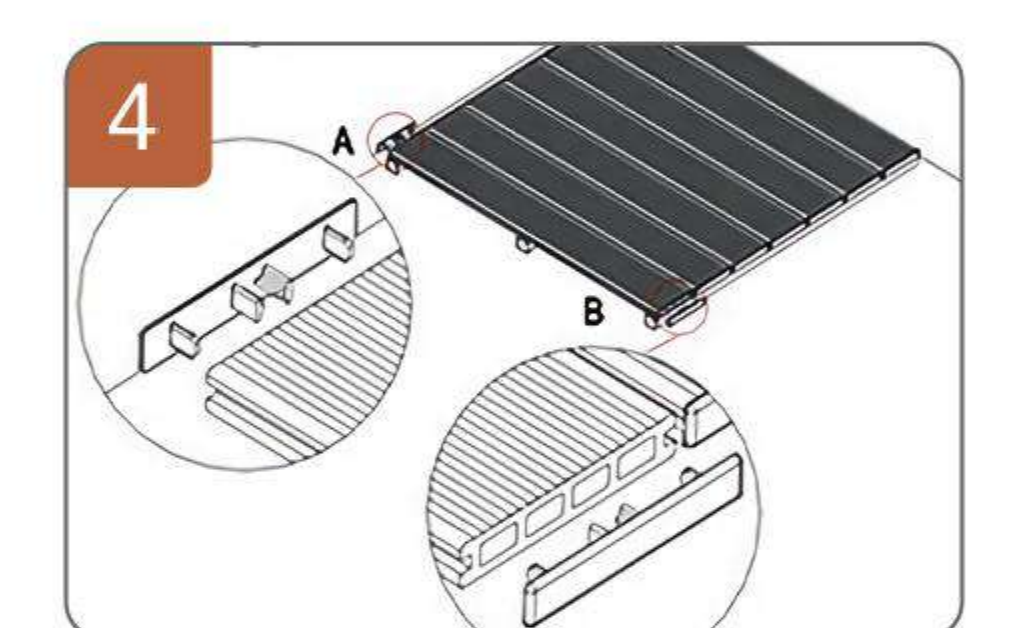
1. Install the joists, ensuring that the distance between two joists does not exceed 35 cm.



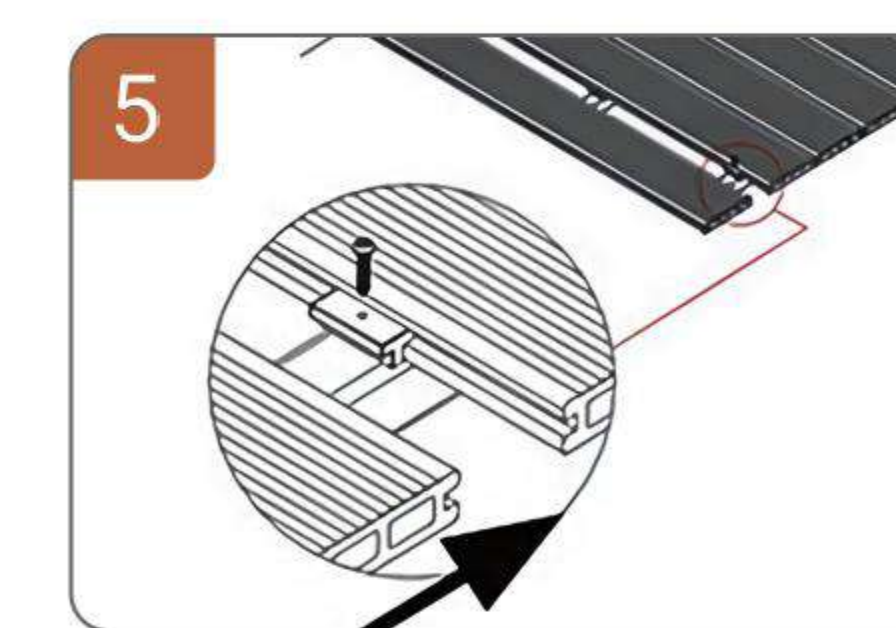
2. Leave a 3 cm gap between the decking and the building.



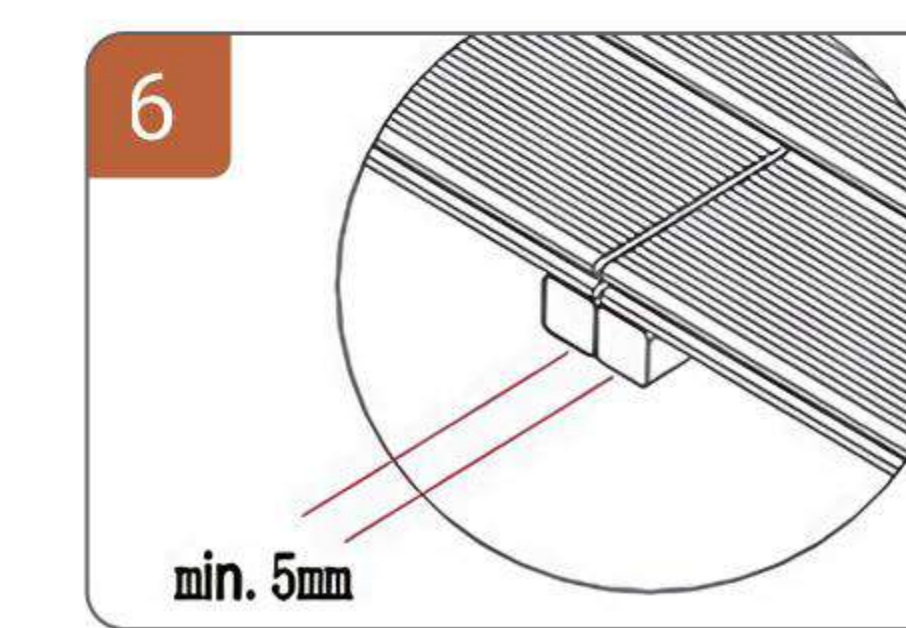
3. Secure the decking to the joists using metal fasteners.



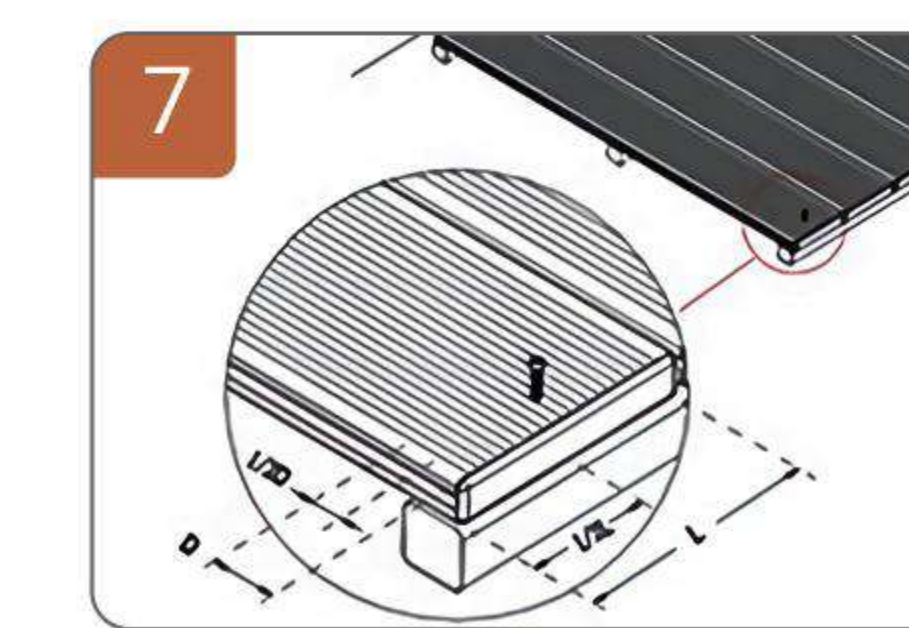
4. Seal the ends of the hollow decking boards.



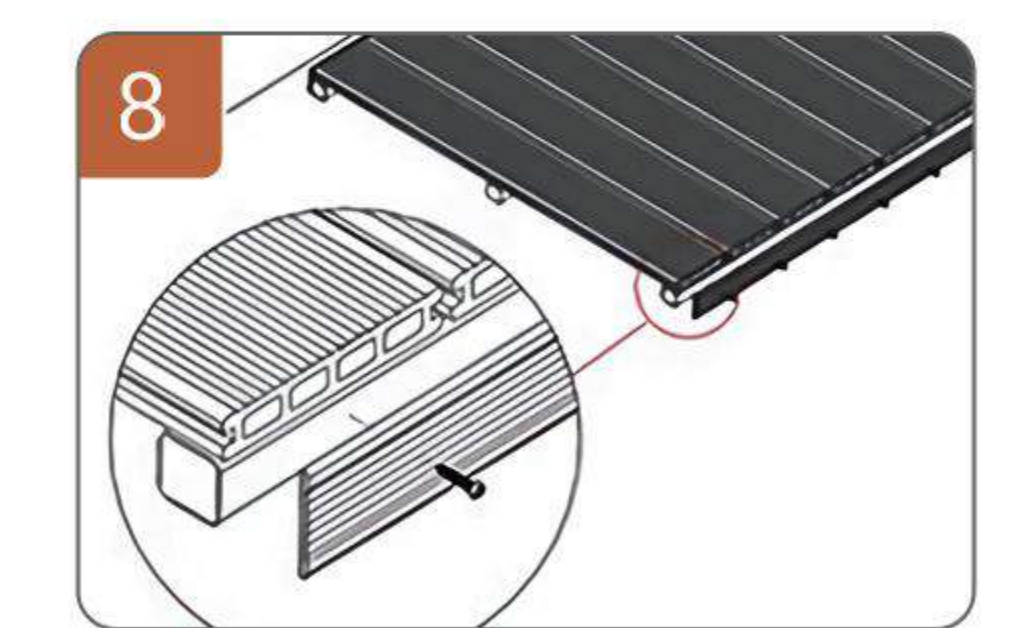
5. Connect and secure two decking boards to the joists using metal clips.



6. Ensure a gap of at least 5 mm between two decking boards.



7. Fix the first and last decking boards to the surface or side using screws.



8. Install side fascia boards to finish.